

Raceway
Metal Raceway
HBL6750 Series Internal Elbow, Divided

HUBBELL

Features

- For inside surface at right angles.
- Full capacity 1¼ in. bend radius internal elbow.
- HBL6751A couplings included

Ordering Information

Description	Material	UPC Number	Catalog Number
Internal Elbow, Divided	Steel	783585217741	HBL6717DFOGY

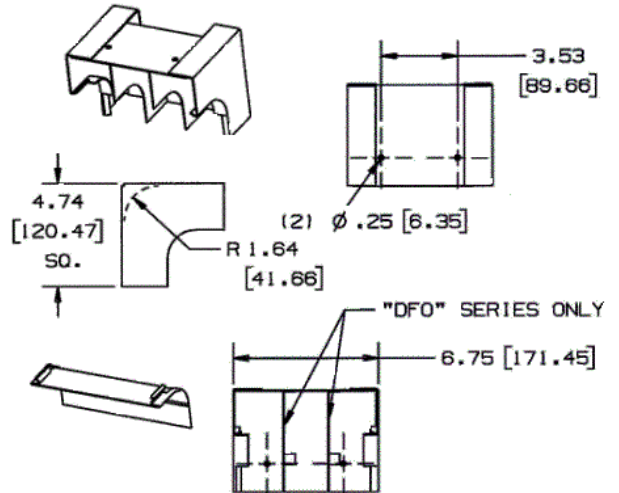
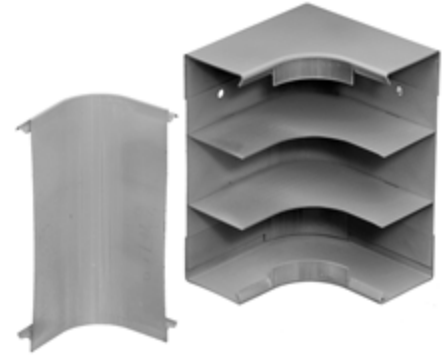
Color
 Gray

Listings

UL Listed
 CSA Certified

Specifications

Height	6.75"
Width	4.74"
Length	4.74"



Online Resources

Customer Use Drawing
 eCatalog
 Installation Instructions

Dimensions in Inches (mm)

Hubbell Wiring Device-Kellems • Hubbell Incorporated (Delaware) • 40 Waterview Drive • Shelton, CT 06484

Phone (800) 288-6000 • Fax (800) 255-1031 • Specifications subject to change without notice.

