

Midi Horns and Sirens / Multi-Tone Sounder 134

**Multi-t.sounder WM 8 tne 24VAC/DC GY**

Part No.: 134.000.75

**MECHANICAL DATA**

Length	91 mm
Width	83 mm
Height	84 mm
Diameter	83 mm
Materials	PC
Housing colour	Grey
Protection category	IP65
Connection	Screw terminals
cross-sectional area maximum	1,50mm <sup>2</sup> / 16AWG
Cable entry	Membrane grommet
Cable entry minimum	d = 1 mm
Cable entry maximum	d = 9 mm
Tension relief	Present (conforms to VDI)
Type of fixing	Wall mounting
Working temperature minimum	-20°C
Working temperature maximum	+50°C
Weight with packaging	143 g
Product weight	110 g

**ELECTRICAL DATA**

Operating voltage	24V
Operating voltage type	AC/DC
Operating voltage frequency	50Hz
Operating voltage tolerance	+/- 10%
Rated operational voltage	24 VDC
Rated operational current	80 mA
Rated inrush current	500 mA
Protection class	Protection class 2
Pollution degree	3

**ACUSTICAL DATA**

Volume/dB(max) at 1m distance	109,0 dB (A)
Acoustic signal image	Multi-tone
Number of tones	8 tone
Audio frequency	3000 Hz
Acoustic service life	5,000 h minimum

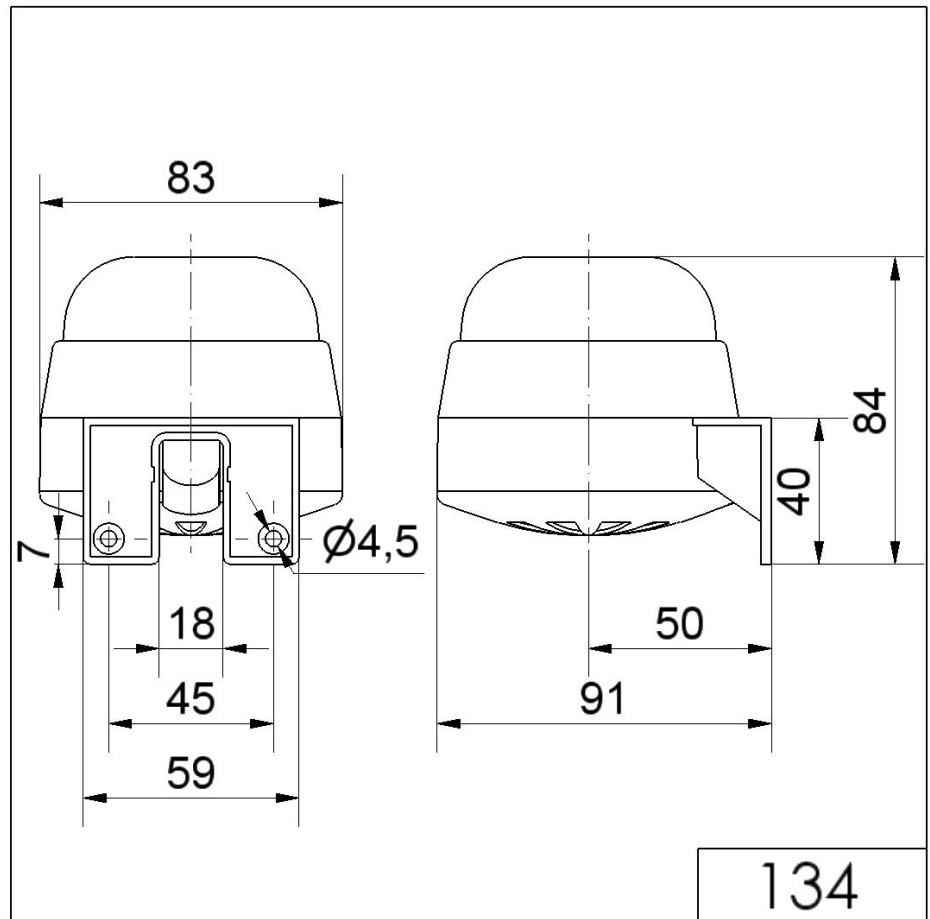


For additional installation and mounting information, refer to the appropriate user guide at [www.werma.com](http://www.werma.com). This printed copy is for information only and is subject to alteration.

Midi Horns and Sirens / Multi-Tone Sounder 134

**Multi-t.sounder WM 8 tne 24VAC/DC GY**

**DRAWING**



**!** For additional installation and mounting information, refer to the appropriate user guide at [www.werma.com](http://www.werma.com). This printed copy is for information only and is subject to alteration.