

Raceway
Metal Raceway
HBL6750 Series Flat Elbow, Divided

HUBBELL

Features

- For right angle turns on same surface.
- Full capacity 1¼ in. bend radius flat elbow.
- HBL4751AC couplings included.

Ordering Information

Description	Material	UPC Number	Catalog Number
Flat Elbow, Divided	Steel	783585217635	HBL6711DFOIV

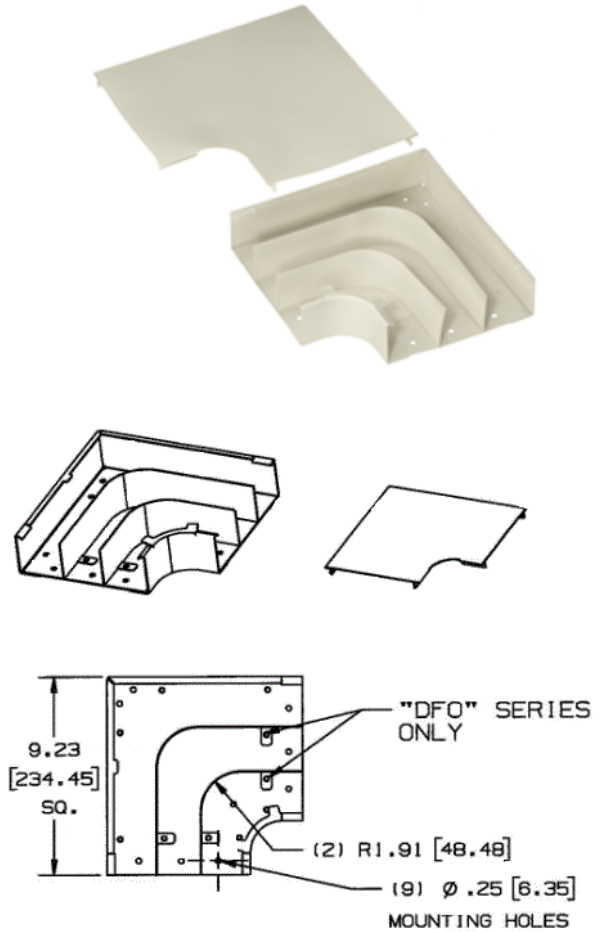
Color
Ivory

Listings

UL Listed
CSA Certified

Specifications

Height	2.14"
Width	9.23"
Length	6.75"



Online Resources

Customer Use Drawing
eCatalog
Installation Instructions

Dimensions in Inches (mm)

Hubbell Wiring Device-Kellems • Hubbell Incorporated (Delaware) • 40 Waterview Drive • Shelton, CT 06484

Phone (800) 288-6000 • Fax (800) 255-1031 • Specifications subject to change without notice.

