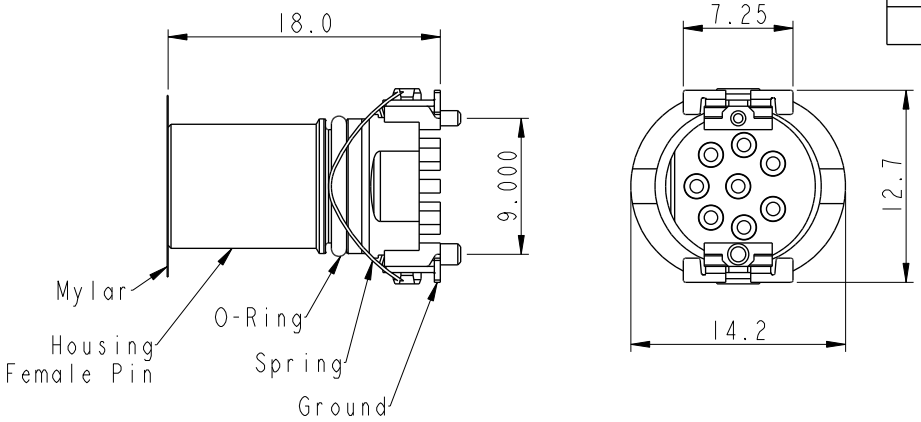


REV.	ECN NO.	DATE	SIGN	DESCRIPTION
A		2020-06-17	Allen Pan	Rev.02 To Rev.A

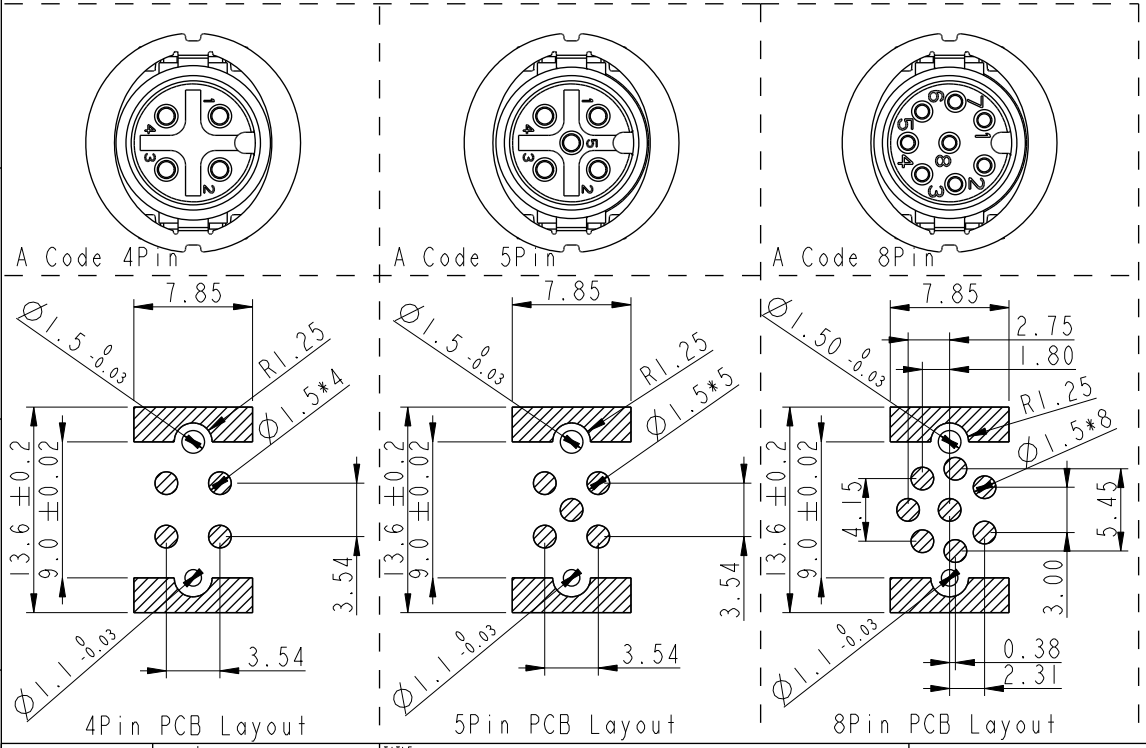


MSAS-XXPFFT-EE0001

04:4Pin
05:5Pin
08:8Pin

Note :

- * \varnothing Important Dimension
- Material Specification :
- * Housing : Thermoplastic, Black
- * Female Pin : Copper Alloy, Gold Plated
- * Ground : Metal
- * Spring : Metal
- * O-Ring : Rubber, Black
- Electrical Specification :
- * Contact Resistance : 10m Ω Max.
- * Insulation Resistance : 100M Ω min.
- * Dielectric Withstanding Voltage : 1KV
- * Rated Voltage : 4Pin 250V d.c. or a.c.
5Pin 60V d.c. or a.c.
8Pin 30V d.c. or a.c.
- * Rated Current : 4Pin&5Pin 4A
8Pin 2A
- Mechanical Specification :
- * Durability : 1000 Cycles(IEC : 100 Cycles)
- Environmental Specification :
- * Temperature Range : -55~125 $^{\circ}$ C
- * Salt Spray : 48h
- * SMT Temperature & Time : 260 $^{\circ}$ C/5Sec
- * SMT Paste : 0.12mm min.



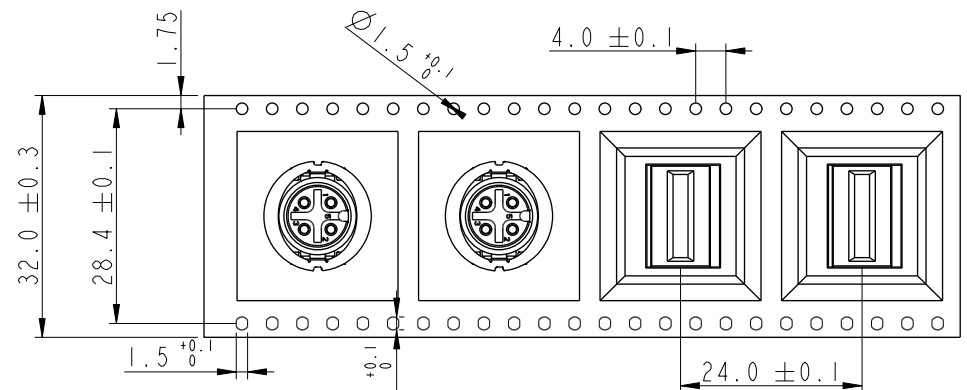
UNIT:mm		TITLE
TOLERANCE		M12 A CODE F CONN F PIN SMT TYPE
.X ± 0.25		SCALE 2:1
.XX ± 0.1		SIZE A4
.XXX ± 0.05		SHEET 1 OF 3
ANGLES $\pm 1^{\circ}$		REV. A
		WC-REV. A.1
		\varnothing : Inspection item

Amphenol LTW
安費諾亮泰企業股份有限公司

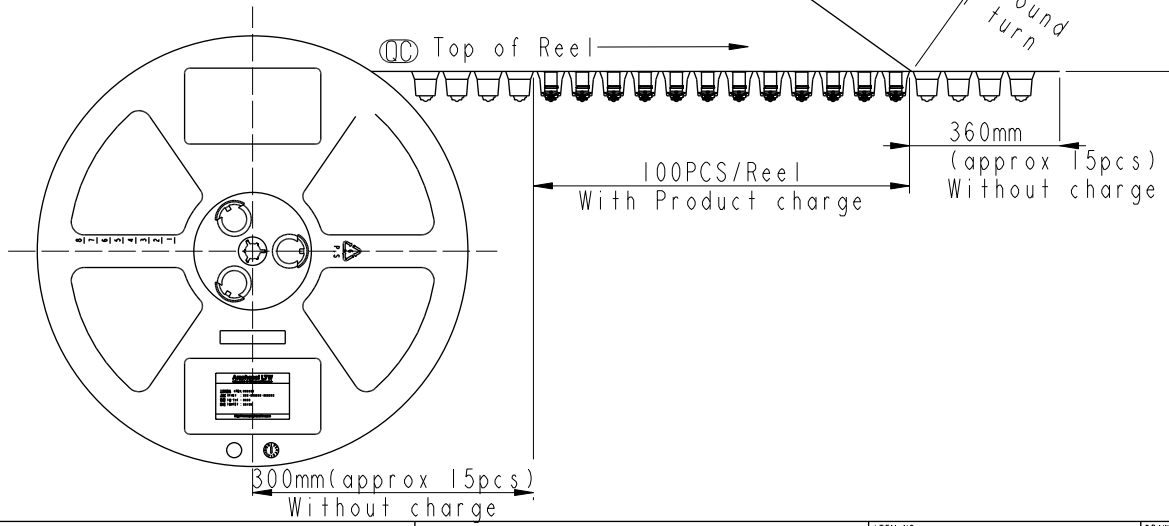
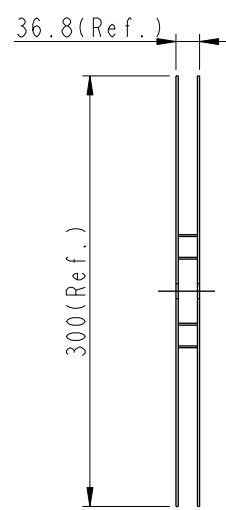
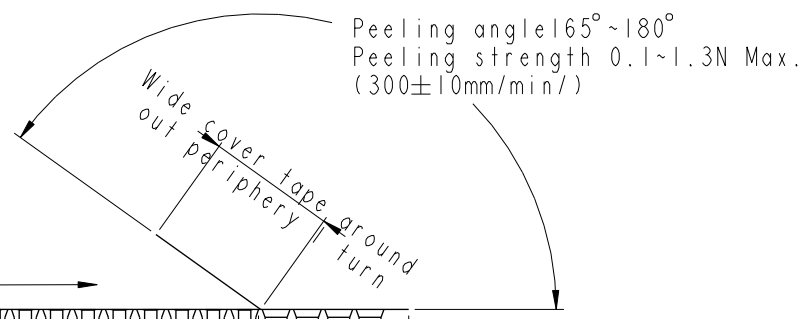
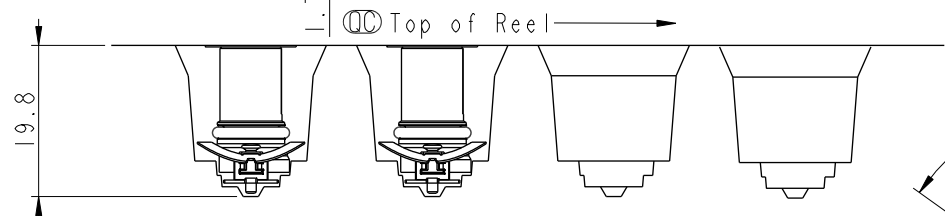
ITEM NO	DRAWN BY	DATE
	Allen Pan	2020-06-17
DWG NO	CHECKED BY	DATE
MSAS-XXPFFT-EE0001	Sam Ho	2020-06-17
CUSTOMER	APPROVED BY	DATE
ALTW	Fred Lee	2020-06-17

THIS DOCUMENT IS SUBJECT TO CHANGE WITHOUT NOTICE. IT IS CONFIDENTIAL AND A PROPERTY OF AMPHENOL LTW. DISCLOSURE TO THIRD PARTY HAS TO BE AUTHORIZED BY AMPHENOL LTW.

THIS DOCUMENT IS SUBJECT TO CHANGE WITHOUT NOTICE. IT IS CONFIDENTIAL AND A PROPERTY OF Amphenol LTW. DISCLOSURE TO THIRD PARTY HAS TO BE AUTHORIZED BY Amphenol LTW.

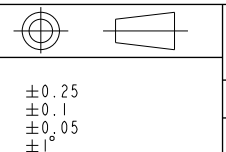


NOTE:
 * Connector Orient follow Drawing



UNIT: mm

TOLERANCE	
.X	±0.25
.XX	±0.1
.XXX	±0.05
ANGLES	±1°



TITLE M12 A CODE F CONN F PIN SMT TYPE			
SCALE	SIZE	SHEET	OF
FREE	A4	2	3
REV.	WC-REV.	: Inspection item	
A	A.1		

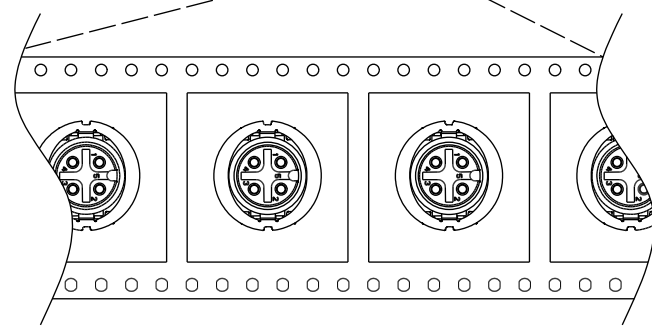
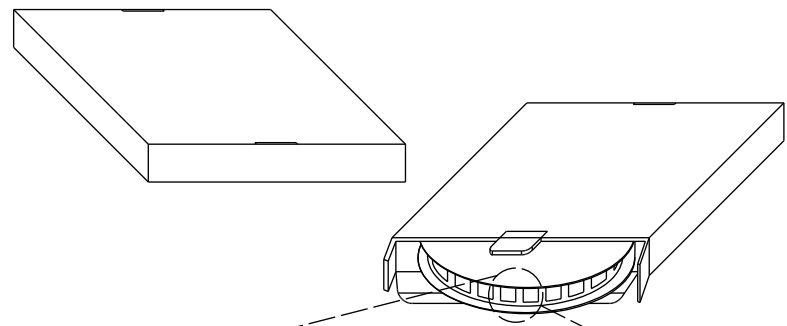
Amphenol LTW
 安費諾亮泰企業股份有限公司

ITEM NO	DRAWN BY	DATE
DWG NO	CHECKED BY	DATE
CUSTOMER	APPROVED BY	DATE
MSAS-XXPFFT-EE0001	ALTW	
	Allen Pan	2020-06-17
	Sam Ho	2020-06-17
	Fred Lee	2020-06-17

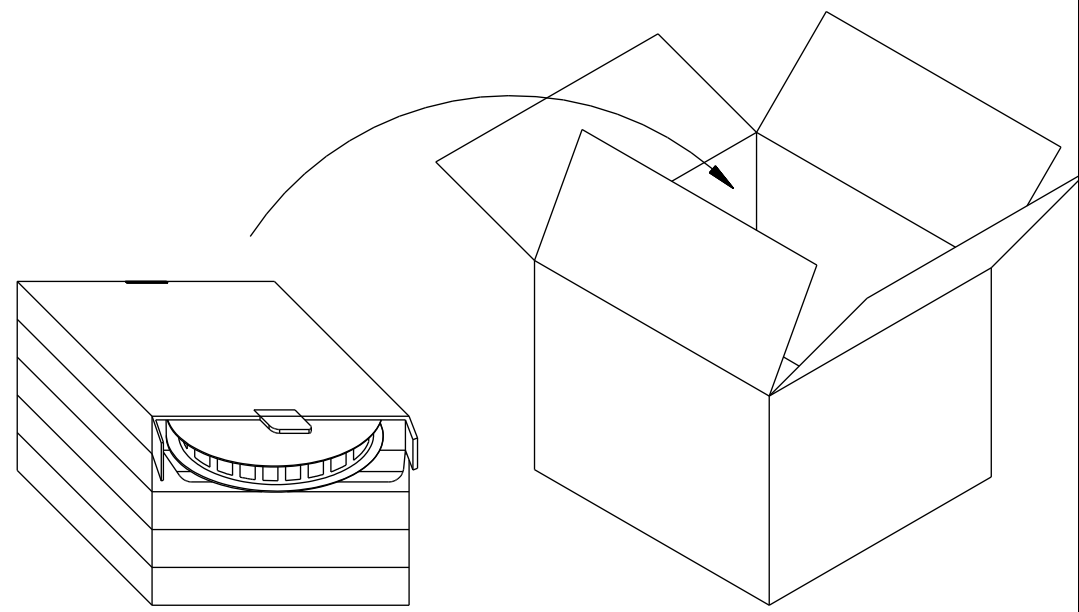
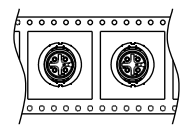
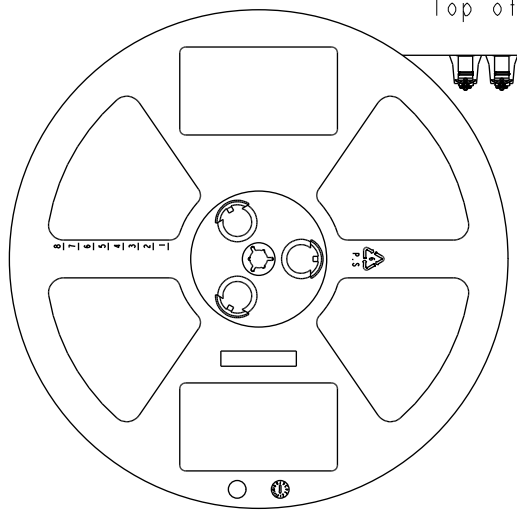
DATE	2020-06-17
DATE	2020-06-17
DATE	2020-06-17

DATE	2020-06-17
DATE	2020-06-17
DATE	2020-06-17

THIS DOCUMENT IS SUBJECT TO CHANGE WITHOUT NOTICE. IT IS CONFIDENTIAL AND A PROPERTY OF AMPHENOL LTW. DISCLOSURE TO THIRD PARTY HAS TO BE AUTHORIZED BY AMPHENOL LTW.

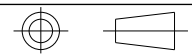


Top of Reel →



Note:
 100 PCS(Connector)/Tape&Reel Put in a Box
 5PCS(Max.) Box Put in a Carton

UNIT: mm



TITLE
 MI2 A CODE F CONN F PIN SMT TYPE

Amphenol LTW

安費諾亮泰企業股份有限公司

ITEM NO

DRAWN BY
 Allen Pan

DATE
 2020-06-17

DWG NO
 MSAS-XXPFPT-EE0001

CHECKED BY
 Sam Ho

DATE
 2020-06-17

CUSTOMER
 ALTW

APPROVED BY
 Fred Lee

DATE
 2020-06-17

TOLERANCE
 .X ±0.25
 .XX ±0.1
 .XXX ±0.05
 ANGLES ±1°

SCALE FREE SIZE A4 SHEET 3 OF 3

REV. A WC-REV. A.1 Inspection item