

## Ordering Information

<b>Description</b>	<b>UPC</b>	<b>Catalog Number</b>
Back box and adapter for 60, 63, 100 and 125A devices	783585711447	<b>FW6010055</b>

**Device Color**  
Gray



## Standards

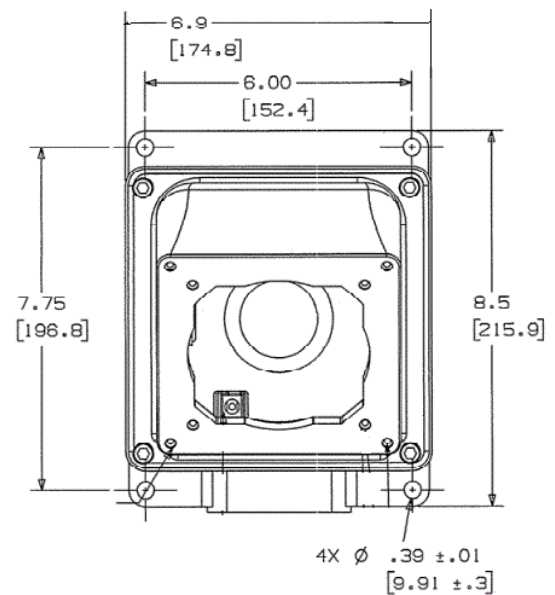
UL Raintight and External Icing Test  
CSA Certified

## Specifications

Accessory Item	Back box and Adapter
Box Hub Size	1 1/2" NPT
Angle	55 Degrees
IEC Pin & Sleeve Accessory Type	60, 63, 100 and 125A

## Performance

<b>Environmental</b>	
Moisture Resistance	IP54 Suitability



## Online Resources

Customer Use Drawing  
eCatalog  
Installation Instructions