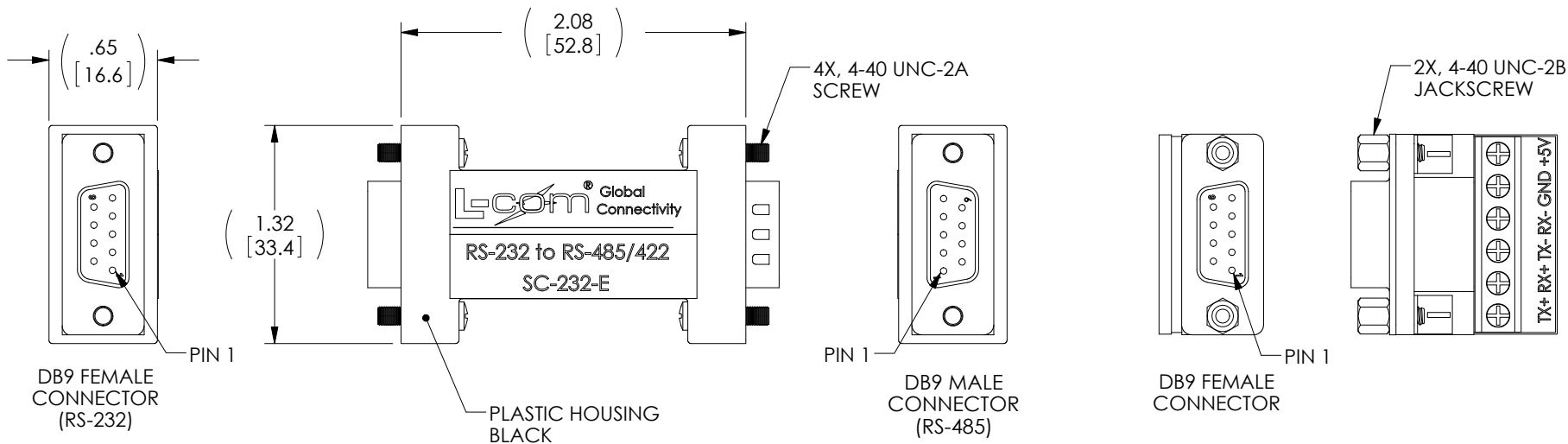


THE INFORMATION CONTAINED IN THIS DRAWING IS THE SOLE PROPERTY OF L-COM, INC. ANY REPRODUCTION IN PART OR WHOLE WITHOUT THE WRITTEN PERMISSION OF L-COM, INC. IS PROHIBITED.

REVISIONS			
REV	DESCRIPTION	DATE	APPROVED
A	INITIAL RELEASE	4/1/11	D.GRIFFIN
B	ECN 6806: CHANGED PACKAGING TO WHITE LOGO BOX WITH P/N LABEL	4/18/13	D. DESJARDIN
C	ECN 8637: REMOVE ROHS COMPLIANCE NOTATION	02/10/17	J.LABOY



NOTES:

1. CONVERTER SHALL BE INDIVIDUALLY PACKAGED IN A WHITE LOGO BOX WITH L-COM PART NUMBER LABEL ON FRONT.

UNLESS OTHERWISE SPECIFIED, DIMENSIONS ARE IN INCHES [mm] OVERALL CABLE LENGTH TOLERANCE: ≤12 [305] = +1 [25] / -0 >12 [305] ≤60 [1524] = +2 [51] / -0 >60 [1524] ≤120 [3048] = +4 [102] / -0 >120 [3048] ≤300 [7620] = +6 [152] / -0 >300 [7620] = +5% / -0% ALL OTHER DIMENSIONAL TOLERANCES: .X = ±.2 [5.08] .XX = ±.02 [1.51] .XXX = ±.005 [1.13]	APPROVALS D. CASTRO CHECKED BY D. PARHAM APPROVED BY P. MCNEIL	DATE 3/30/11 3/30/11 3/31/11	50 HIGH STREET NORTH ANDOVER, MA 01845	
	CONFIGURATION DETAILS OF UNDIMENSIONED FEATURES MAY VARY		CATEGORY NETWORK EQUIPMENT	
	PROJECTION 		PRODUCT DESCRIPTION RS232 TO RS485/422 CVTR	
COLOR VARIATIONS MAY OCCUR		SIZE A	FSCM NO. 43321	DWG. NO. SC-232-E
		SCALE: NONE	CAD FILE: SC-232-E.SLDRW	REV. C SHEET 1 OF 1