

# Metallic Four-Way Angle Back Box

## Ordering Information

| Description  | UPC          | Catalog Number |
|--|--------------|----------------|
| Metallic Back Box, Pin and Sleeve Insulgrip, 4-Way | 783585011646 | MB2003W        |

**Product Type**  
Accessories

## Standards

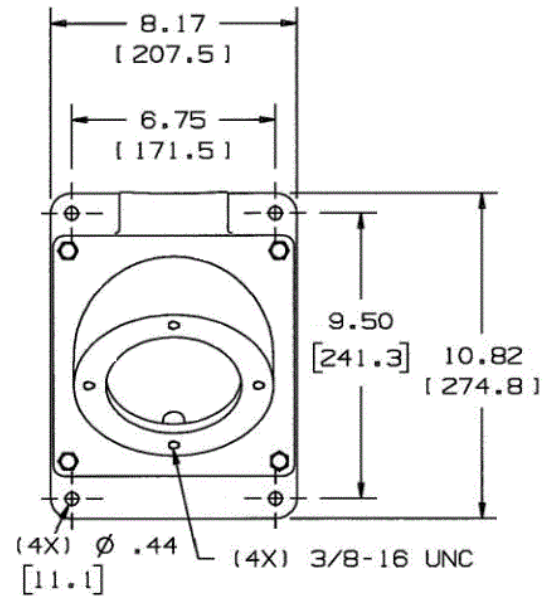
UL Listed  
CSA Certified

## Specifications

|                 |                 |
|-----------------|-----------------|
| Gaskets         | Neoprene        |
| Hinge Spring    | Stainless Steel |
| Assembly Screws | Stainless Steel |
| Box Hub Size    | 2" NPT          |

## Performance

| Electrical              |  |
|-------------------------|--|
| Current Interrupting    | Certified for current interrupting at full rated current   |
| Dielectric Voltage      | Withstands 3,000V AC   |
| Max Working Voltage     | 600V AC RMS  |
| Mechanical              |  |
| Impact Resistance       | In accordance with UL746C  |
| Product Identification  | Identification and ratings are a part of the external label and molded into the receptacle mount |
| Terminal Identification | Terminals identified in accordance with North American and International conventions             |
| Environmental           |  |
| Flammability            | UL94-5VA and V-0 classification  |
| Operating Temperatures  | Max. Continuous: 75° C; Min. Continuous: -40° C w/o impact                                       |



## Online Resources

Customer Use Drawing  
eCatalog  
Installation Instructions