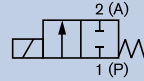


Plunger Operated 2/2-way Solenoid Valve

6013

NPT 1/8" - NPT 1/4"

- Normally close
- With threaded body in brass or SS
- Slip over coil can be rotated in 4 x 90 degrees
- FKM seal material with high quality standard



Supplied as shown

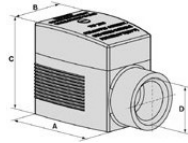
Direct-acting small solenoid valve which is plunger operated for neutral gases, liquids and technical vacuum. Special versions are also available for use with steam.

Technical Data

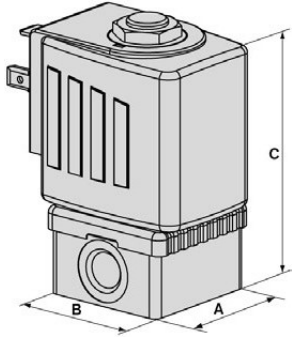
Body material	Type 6013	Brass, Stainless steel 1.4305
Seal material		FKM, (PTFE/Graphite EPDM on request)
Temperature media		14 °F to 212 °F (-10 °C to +100 °C)
Ambient temperature		131 °F (+55 °C), max.
Viscosity		Max. 21 mm ² /s
Voltage tolerance		±10%
Duty cycle		Single valve 100% ED
Body material		Brass or Stainless steel 1.4305
Seal material		FKM
Coil insulation class		Epoxy (class H)
Power consumption		AC: 24 VA (inrush), 17 VA (hold) DC: 8 W
Protection class		IP65
Electrical connection		Cable plug acc. to DIN EN 175301-803, Form A (included)
Response times¹⁾		
	Opening	20 ms
	Closing	30 ms
Accreditations		UL Listed

¹⁾ Measured at valve outlet at 87 PSI (6 bar) and 68 °F (+20 °C)
Opening: pressure rise 0 to 90%, Closing: pressure drop 100 to 10%

Envelope Dimensions [inch] (see datasheet for details)



2509 cable plug
Form A included



Size	A	B	C
1/8"	1.28	1.37	2.59
1/4"	1.92	1.37	2.82

Options

- Normally open
- Impulse version
- Cable plug with LED and varistor
- PTFE/graphite seal to 356 °F
- SIL certificate
- UL / UR
- ATEX version
- 24V/60 Hz, 240V/60 Hz

Ordering Chart

Port connection [inch]	Orifice [mm]	Cv	Pressure range [PSI]		Item no. Voltage/Frequency [V/Hz]	
			[AC]	[DC]	24 V DC	120 V/60 Hz
Brass						
NPT 1/8	2	0.14	0-362	0-174	332 772	341 755
NPT 1/8	2.5	0.19	0-232	0-145	332 761	341 756
NPT 1/8	3	0.27	0-145	0-87	332 775	332 762
NPT 1/4	3	0.27	0-145	0-87	332 773	332 758
NPT 1/4	4	0.35	0-58	0-22	332 750	332 757
Stainless steel						
NPT 1/8	2	0.14	0-362	0-174	332 768	332 753
NPT 1/8	3	0.27	0-145	0-87	341 751	332 755
NPT 1/4	3	0.27	0-145	0-87	332 770	332 769
NPT 1/4	4	0.35	0-58	0-22	341 753	341 757