

Midget Twist-Lock® Devices
 15A, 125V AC, 2 Pole, 3 Wire Grounding
 Plug

HUBBELL

Features

- Abuse resistant nylon housing
- Phenolic body for high heat resistance
- Angled body design for low profile in tight spaces
- Totally insulated body adds extra measure of safety



Ordering Information

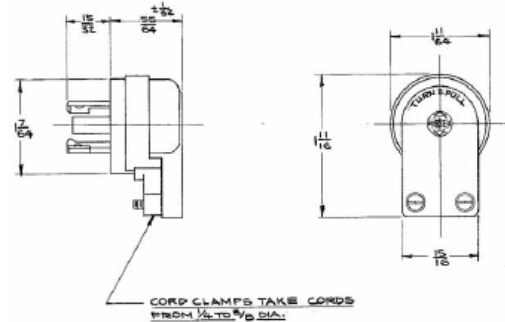
Description	Cord Diameter	UPC	Catalog Number
Black angled plug.	.335"-.421" (8.5-10.7)	783585237688	HBL7570

Listings

Listed to UL 498
 Certified to CSA C22.2 No.42

Specifications

Housing	Nylon
Blades	Brass
Blade Holder	Phenolic
Terminal Screws	#5-40 Brass
Terminal Clamp	Nylon



Performance

Electrical

Current Interrupting Certified for current interrupting at full rated current
 Dielectric Voltage Withstands 2,000V minimum

Mechanical

Terminal Accomodation #18 AWG - #14 AWG stranded copper wire only.
 Terminal Identification Terminals identified in accordance with UL 498

Environmental

Flammability HB or better per UL94/CSA 22.2 No.0.17
 Moisture Resistance IP20 Suitability
 Operating Temperatures Maximum Continuous 75°C Minimum -40°C (w/o impact)

Accessories

Angled Connector	HBL7571
Nylon Flanged Receptacle	HBL7596N
Stainless Steel Flanged Receptacle	HBL7596
Stainless Steel Flanged Receptacle with Covered Terminals	HBL7598

Resources

Customer Use Drawing
 eCatalog

Dimensions in Inches (mm)

Hubbell Wiring Device-Kellems • Hubbell Incorporated (Delaware) • 40 Waterview Drive • Shelton, CT 06484

Phone (800) 288-6000 • Fax (800) 255-1031 • Specifications subject to change without notice.

