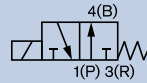
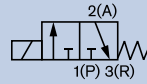


Compact Plunger Operated 3/2-way Valve

NPT 1/8" & NPT 1/4"

- Reliable double seated plunger operation
- Threaded or flange version
- High quality FKM seal as standard
- Slip over coil can be rotated in 4 x 90 degrees



Shown with 2508 plug

Direct-acting 3/2-way, normally closed or normally open solenoid valve. It is for neutral gases and liquids and it is also suitable for technical vacuum.

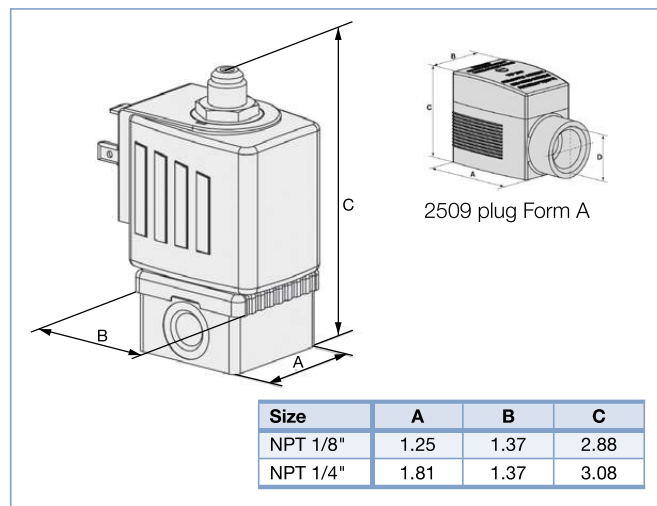
Technical Data

Temperature media	14 °F to 212 °F (-10 °C to +100 °C)
Ambient temperature	14 °F to 131 °F (-10 °C to +55 °C)
Viscosity	Max. 21 mm ² /s
Voltage tolerance	+10%
Duty cycle	
Single valve	100% continuous rating
for block mounting on sub-base	Intermittent 60% (30 min)
Body material	Brass, Polyamide (Flange), (SS optional)
Seal material	FKM (EPDM on request)
Coil insulation class	Polyamide class B (Epoxy class H on request)
Coil material	Polyamide (Class B)
Protection class	IP65, NEMA 4 (with cable plug)
Electrical connection	Cable plug acc. to DIN EN 175301-803
	Form A (included)
Accreditations	UL Listed

Orifice [mm]	Power consumption		Response times	
	Inrush AC	Hold AC	Opening [ms]	Closing [ms]
1.5	24 VA	17 VA (8 W)	10-15	15-20
2.0	24 VA	17 VA (8 W)	10-15	15-20
2.5	24 VA	17 VA (8 W)	15-20	10-22

Response times [ms]: Measured at valve outlet at 87 PSI (6 bar) and 68 °F (+20 °C)
Opening: pressure build-up 0 to 90%, **Closing:** pressure relief 100 to 10%

Envelope Dimensions [inch] (see datasheet for details)



Options

- Cable plug with LED and varistor
 - Impulse version
 - Oxygen version
 - Vacuum version
 - Analysis version
 - Hazardous area approvals
 - Explosion-proof version
 - Further circuit functions
 - SIL - certificated
 - UL and CSA approvals
- 24V/60 Hz, 240/60 Hz

Ordering Chart

Port connection [inch]	Circuit function	Orifice [mm]	Cv	Pressure range [PSI]	Item no. Voltage/Frequency [V/Hz]	
					24 V DC	120 V/60 Hz
Brass						
NPT 1/8	C (3/2-way normally closed)	1.5	0.08	0-232	332 738	332 733
NPT 1/8		2.0	0.13	0-145	332 727	332 724
NPT 1/4		2.0	0.13	0-145	332 737	332 739
NPT 1/4		2.5	0.18	0-87	332 722	-
NPT 1/8	D (3/2-way normally open)	1.5	0.08	0-232	332 742	-
NPT 1/8		2.0	0.13	0-145	332 732	-
NPT 1/4		2.0	0.13	0-145	332 721	-
NPT 1/4		2.5	0.18	0-87	332 723	-
Stainless steel						
NPT 1/8	C (3/2-way NC)	1.5	0.08	0-232	332 720	-
NPT 1/4		2.0	0.13	0-145	332 741	332 728
NPT 1/8	T (universal)	1.5	0.08	0-101	332 729	-