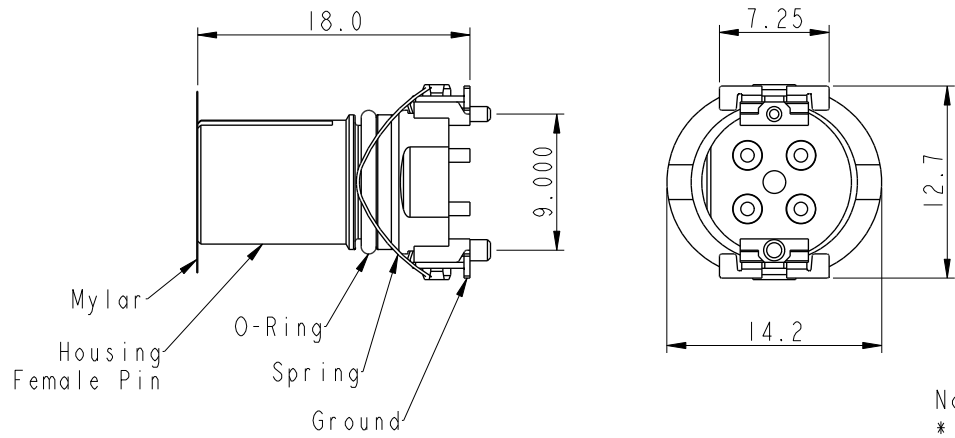


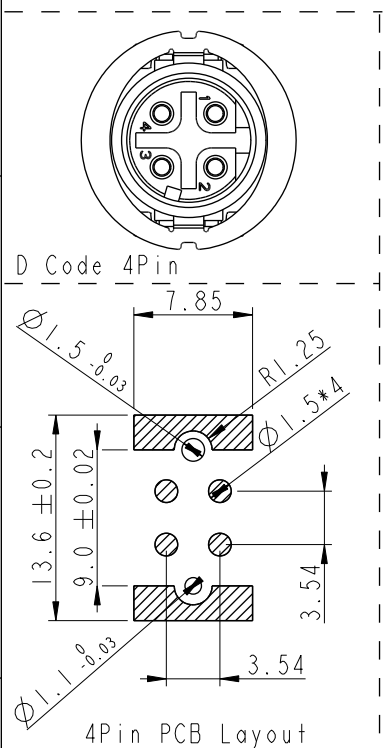
THIS DOCUMENT IS SUBJECT TO CHANGE WITHOUT NOTICE. IT IS CONFIDENTIAL AND A PROPERTY OF AMPHENOL LTW. DISCLOSURE TO THIRD PARTY HAS TO BE AUTHORIZED BY AMPHENOL LTW.

REV.	ECN NO.	DATE	SIGN	DESCRIPTION
A		2020-07-14	Allen Pan	Rev.01 To Rev.A



Note :

- * \varnothing Important Dimension
- Material Specification :
- * Housing : Thermoplastic, Black
- * Female Pin : Copper Alloy, Gold Plated
- * Ground : Metal
- * Spring : Metal
- * O-Ring : Rubber, Black
- Electrical Specification :
- * Contact Resistance : 10m Ω Max.
- * Insulation Resistance : 100M Ω min.
- * Dielectric Withstanding Voltage : 1KV
- * Rated Voltage : 250V d.c. or a.c.
- * Rated Current : 4A
- Mechanical Specification :
- * Durability : 1000 Cycles(IEC : 100 Cycles)
- Environmental Specification :
- * Temperature Range : -55~125 $^{\circ}$ C
- * Salt Spray : 48h
- * SMT Temperature & Time : 260 $^{\circ}$ C/5Sec
- * SMT Paste : 0.12mm min.



MSDS-XXPFFT-EE0001
 04:4Pin

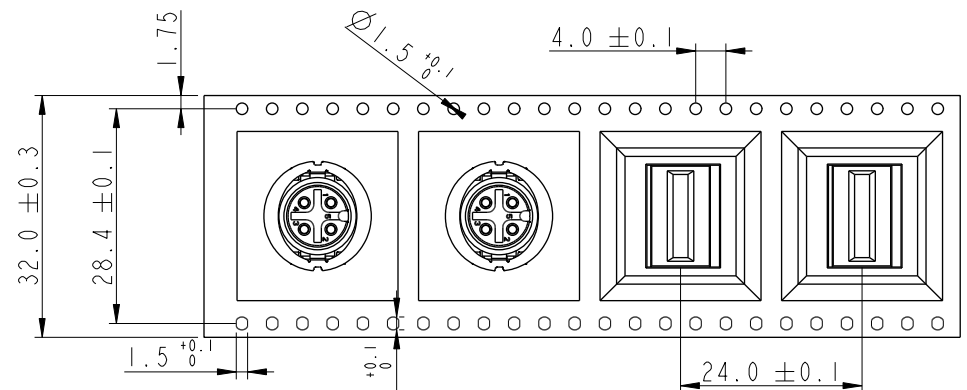
UNIT:mm		
TOLERANCE	.X ± 0.25	.XX ± 0.1
	.XXX ± 0.05	ANGLES $\pm 1^{\circ}$

TITLE M12 D CODE F CONN F PIN SMT TYPE			
SCALE 2:1	SIZE A4	SHEET 1 OF 3	
REV. A	WC-REV. A.1	\varnothing : Inspection item	

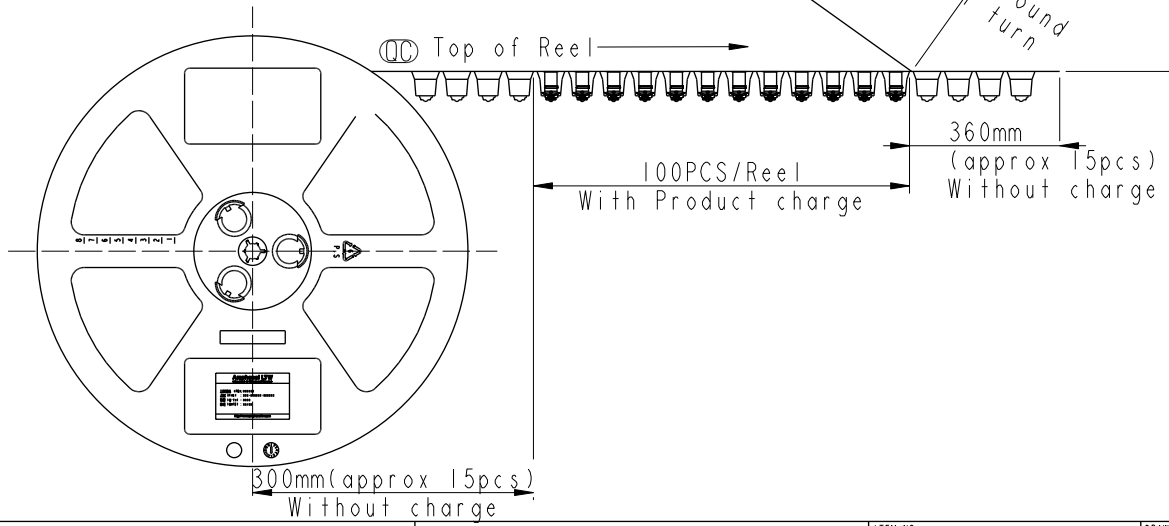
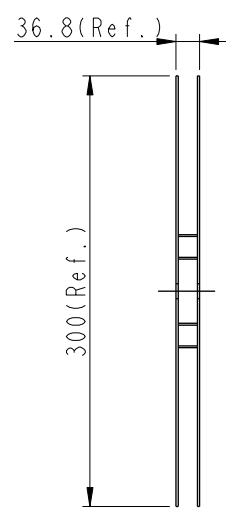
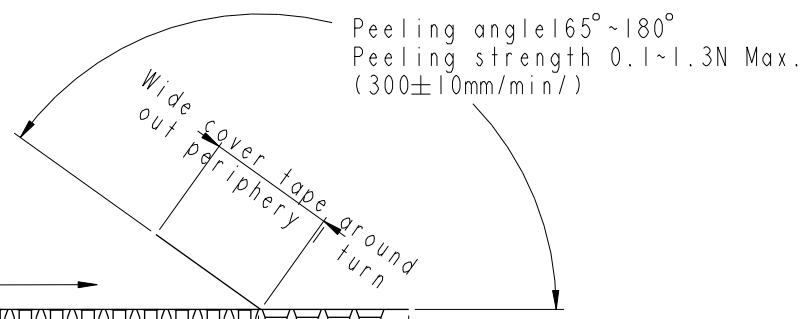
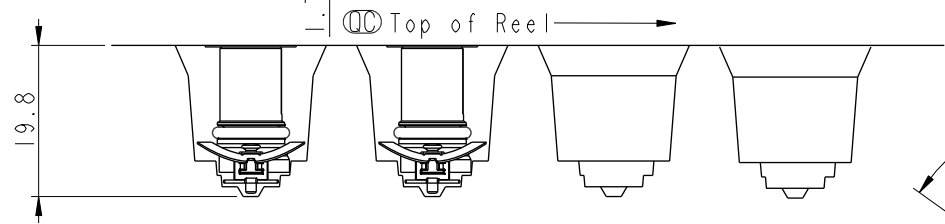
Amphenol LTW
 安費諾亮泰企業股份有限公司

ITEM NO	DRAWN BY Allen Pan	DATE 2020-07-14
DWG NO MSDS-XXPFFT-EE0001	CHECKED BY Sam Ho	DATE 2020-07-14
CUSTOMER ALTW	APPROVED BY Fred Lee	DATE 2020-07-14

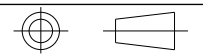
THIS DOCUMENT IS SUBJECT TO CHANGE WITHOUT NOTICE. IT IS CONFIDENTIAL AND A PROPERTY OF Amphenol LTW. DISCLOSURE TO THIRD PARTY HAS TO BE AUTHORIZED BY Amphenol LTW.



NOTE:
 * Connector Orient follow Drawing



UNIT: mm



TITLE
 M12 D CODE F CONN F PIN SMT TYPE

Amphenol LTW

ITEM NO

DRAWN BY
 Allen Pan

DATE
 2020-07-14

TOLERANCE
 .X ±0.25
 .XX ±0.1
 .XXX ±0.05
 ANGLES ±1°

SCALE FREE SIZE A4 SHEET 2 OF 3

安費諾亮泰企業股份有限公司

DWG NO
 MSDS-XXPFFT-EE0001

CHECKED BY
 Sam Ho

DATE
 2020-07-14

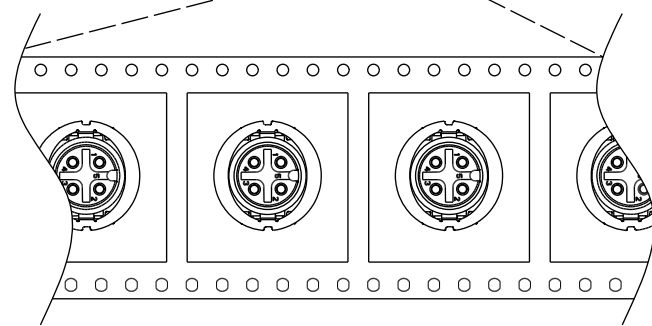
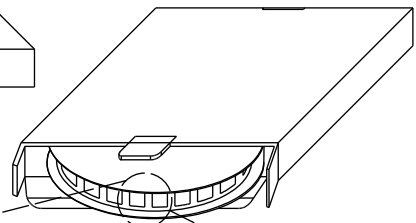
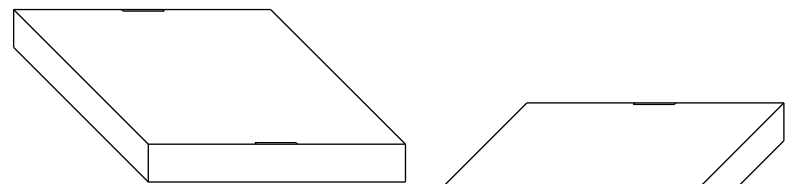
REV. A WC-REV. A.1 Inspection item

CUSTOMER
 ALTW

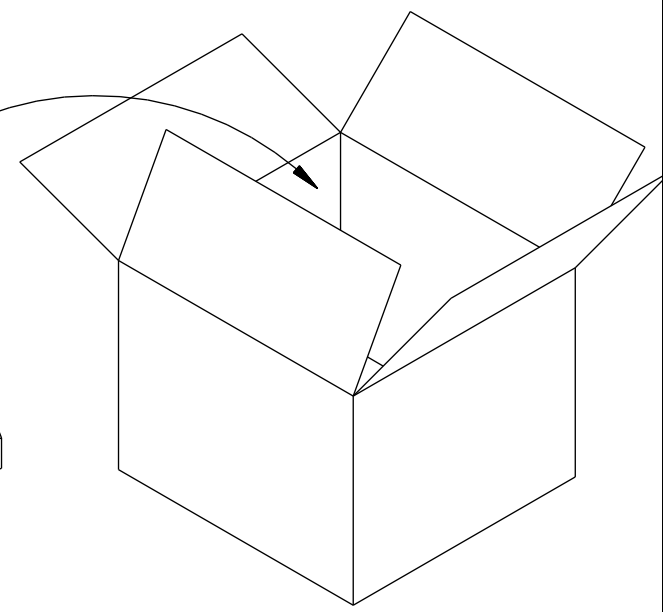
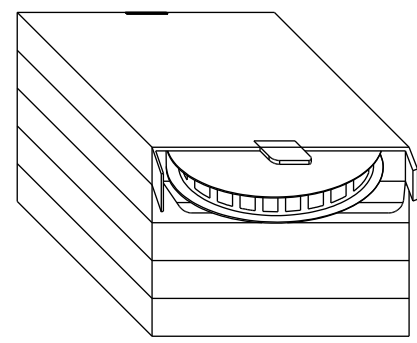
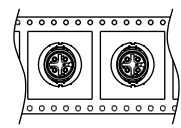
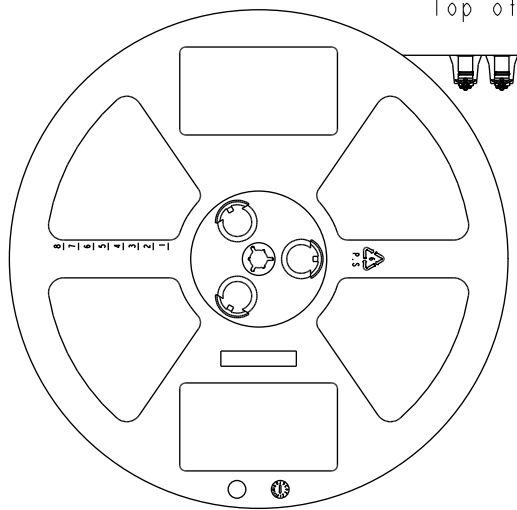
APPROVED BY
 Fred Lee

DATE
 2020-07-14

THIS DOCUMENT IS SUBJECT TO CHANGE WITHOUT NOTICE. IT IS CONFIDENTIAL AND A PROPERTY OF AMPHENOL LTW. DISCLOSURE TO THIRD PARTY HAS TO BE AUTHORIZED BY AMPHENOL LTW.

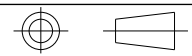


Top of Reel →



Note:
 100 PCS(Connector)/Tape&Reel Put in a Box
 5PCS(Max.) Box Put in a Carton

UNIT: mm



TOLERANCE
 .X ±0.25
 .XX ±0.1
 .XXX ±0.05
 ANGLES ±1°

TITLE MI2 D CODE F CONN F PIN SMT TYPE			
SCALE FREE	SIZE A4	SHEET 3 OF 3	
REV. A	WC-REV. A.1	QC: Inspection item	

Amphenol LTW

安費諾亮泰企業股份有限公司

ITEM NO	DRAWN BY Allen Pan	DATE 2020-07-14
DWG NO MSDS-XXPFPT-EE0001	CHECKED BY Sam Ho	DATE 2020-07-14
CUSTOMER ALTW	APPROVED BY Fred Lee	DATE 2020-07-14