



Multi-Color LED Light

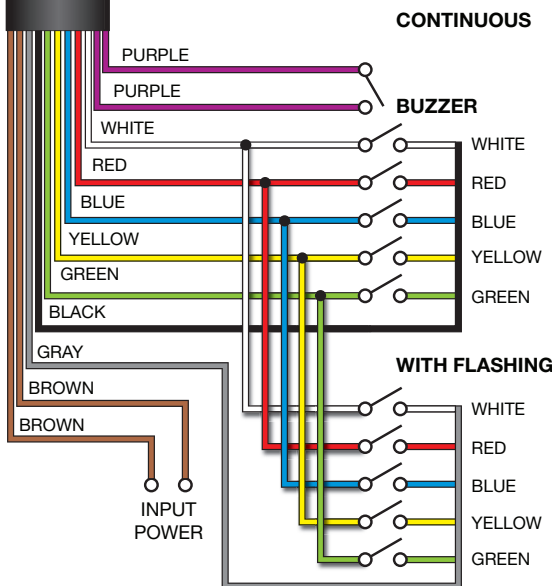
Multi-function LED signal tower
5 colors, Ø55mm
with Buzzer and Flasher



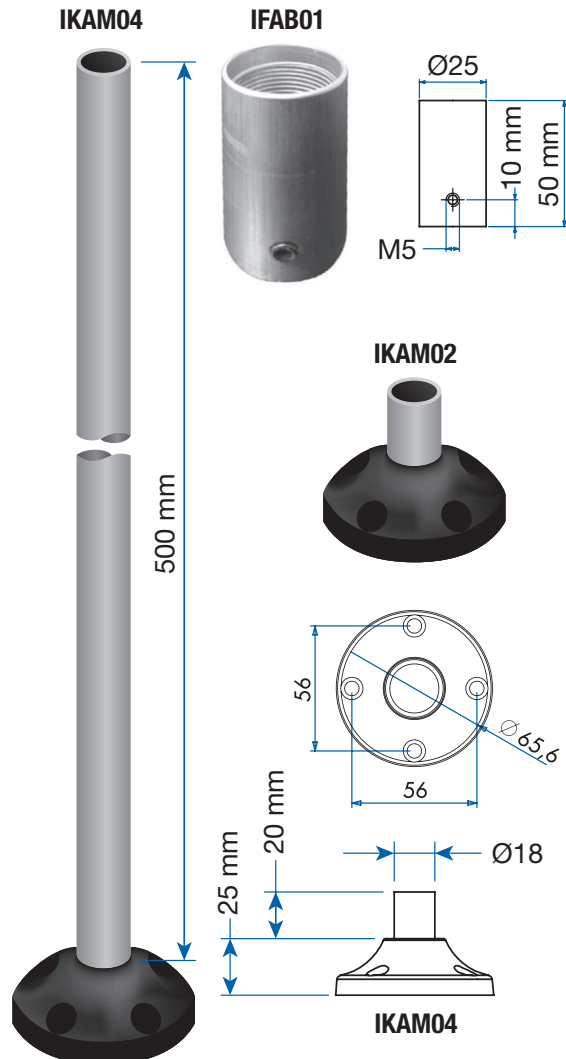
- **Single Unit** - 5 colors: White, Red, Blue, Yellow, Green.

One unit can light up in 5 different colors.

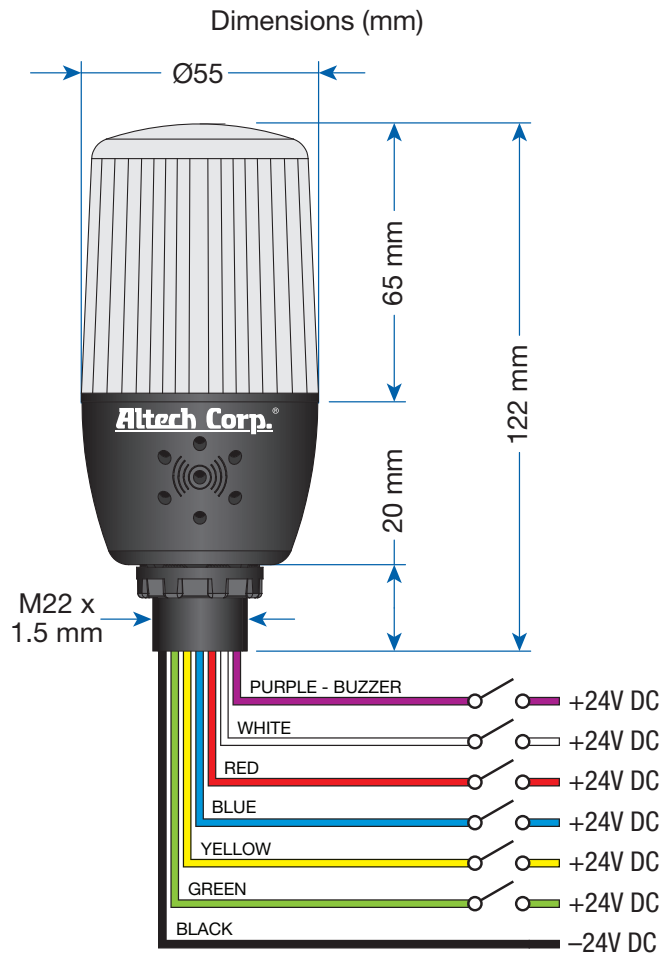
- Single color unit is also available (24V only)
- Flashing and normal LED mode available in same module.
- 90 dB Buzzer
- Multi-function LED signal tower.
- Continuous mode or flashing mode.
- M22x1.5 mm mounting option
- Direct mounting on the cabinet
- Pole mounted for better viability



Pole Connection Accessories



Multi-Colored LED Light for PLC Applications



Technical Information

- Heat resistant, clear vision polycarbonate signal modules
- Easy to install
- Easy wiring, 1 meter long standard cable
- Operating Temperature: -5 / +40 °C
- Electrical Life: 100,000 hours
- Protection Degree: IP65

Electrical Information

Operating Voltage (PLC version)	24V DC ± 20%
Insulation Voltage	300V
Sound Level	80-90 dB
Power Consumption (Red)	408 mW
Power Consumption (Yellow)	552 mW
Power Consumption (Blue)	360 mW
Power Consumption (Green)	360 mW
Power Consumption (White)	960 mW
Power Consumption (Buzzer)	480 mW

Ordering Information

Part No.	Illumination	Features	Nominal Voltage	Std. Pk.
IF5M024ZM05-1	Multi-color LED	with Buzzer	24V AC/DC	1
IF5M110ZM05-1	Multi-color LED	with Buzzer	110V AC	1
IF5M220ZM05-1	Multi-color LED	with Buzzer	230V AC	1
IF5M024XM05-1	Multi-color LED	-	24V AC/DC	1
IF5M110XM05-1	Multi-color LED	-	110V AC	1
IF5M220XM05-1	Multi-color LED	-	230V AC	1
* IF5_024X05-1	Single Color LED		24V AC/DC	1
* IF5_024Z05-1	Single Color LED	with Buzzer	24V AC/DC	1
IF5P024XM05-1	Multi-color LED	for PLC Applications	24V DC	1
IF5P024ZM05-1	Multi-color LED	for PLC Applications with Buzzer	24V DC	1
IFAB01	-	Pipe Adapter	-	1
IKAM02	-	20mm Aluminum pole with Base (used with IFAB01)	-	1
IKAM04	-	500mm Aluminum pole with Base (used with IFAB01)	-	1

*Add LED Color Codes: W- White R- Red B- Blue Y- Yellow G- Green