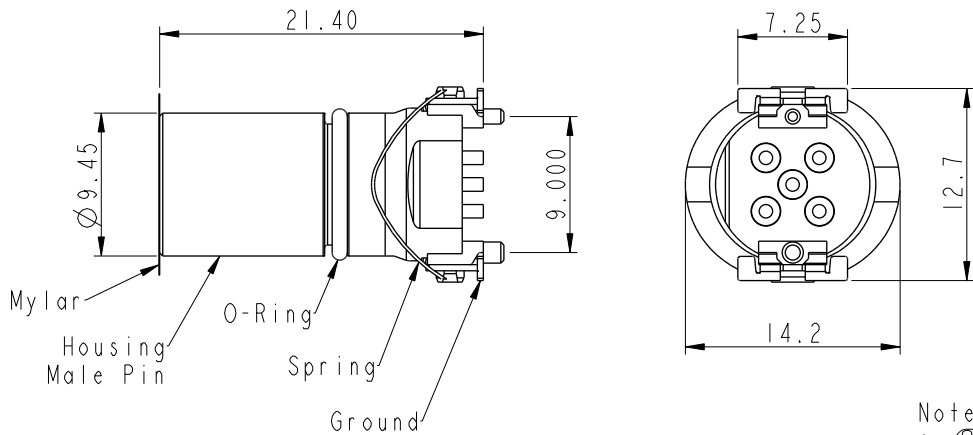
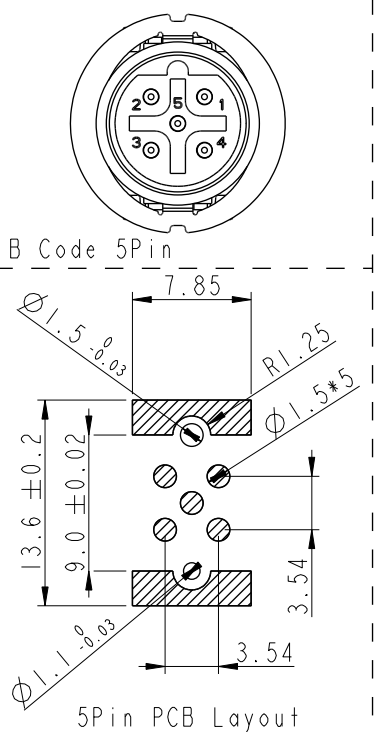


REV.	ECN NO.	DATE	SIGN	DESCRIPTION
A		2020-07-14	Allen Pan	Rev.01 To Rev.A



Note:

- * \varnothing Important Dimension
- Material Specification :
 - * Housing : Thermoplastic, Black
 - * Male Pin : Copper Alloy, Gold Plated
 - * Ground : Metal
 - * Spring : Metal
 - * O-Ring : Rubber, Gray
- Electrical Specification :
 - * Contact Resistance : 10m Ω Max.
 - * Insulation Resistance : 100M Ω min.
 - * Dielectric Withstanding Voltage : 1KV
 - * Rated Voltage : 60V d.c. or a.c.
 - * Rated Current : 4A
- Mechanical Specification :
 - * Durability : 1000 Cycles(IEC : 100 Cycles)
- Environmental Specification :
 - * Temperature Range : -55~125°C
 - * Salt Spray : 48h
 - * SMT Temperature & Time : 260°C/5Sec
 - * SMT Paste : 0.12mm min.



MSBS-XXPMMT-EE0001

05:5Pin

UNIT: mm

TOLERANCE	
.X	±0.25
.XX	±0.1
.XXX	±0.05
ANGLES	±1°

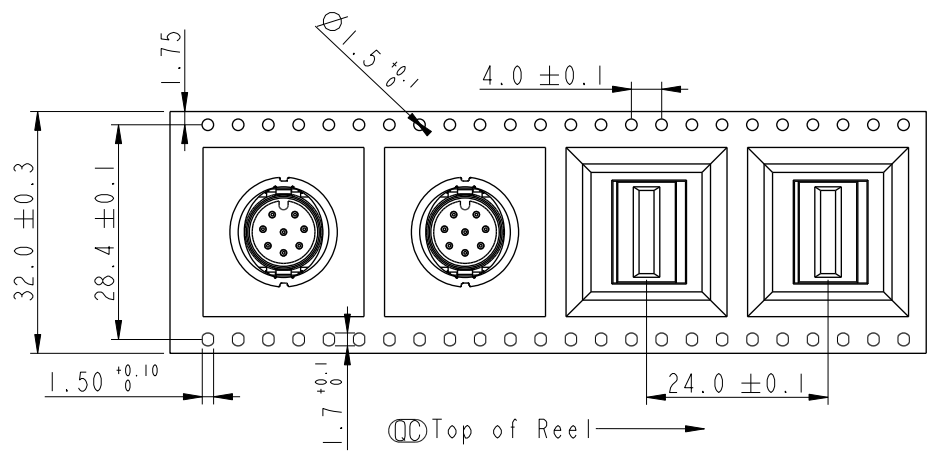
TITLE M12 B CODE M CONN M PIN SMT TYPE			
SCALE 2:1	SIZE A4	SHEET 1 OF 3	
REV. A	WC-REV. A.1	QC: Inspection item	

Amphenol LTW
安費諾亮泰企業股份有限公司

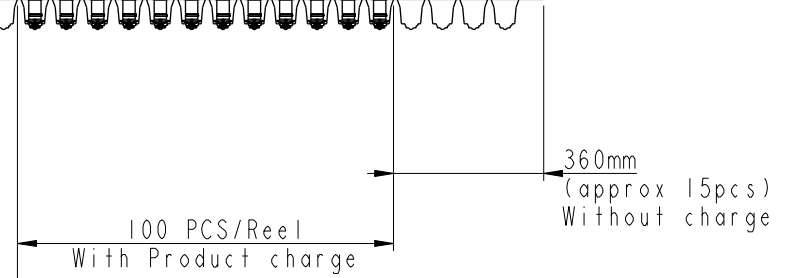
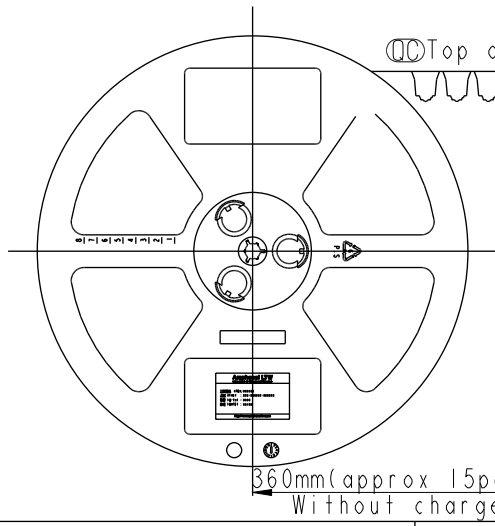
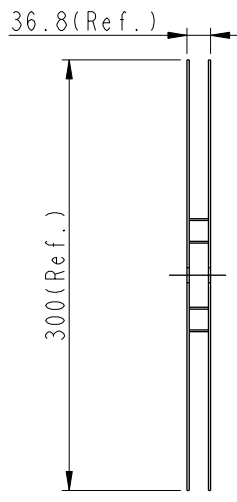
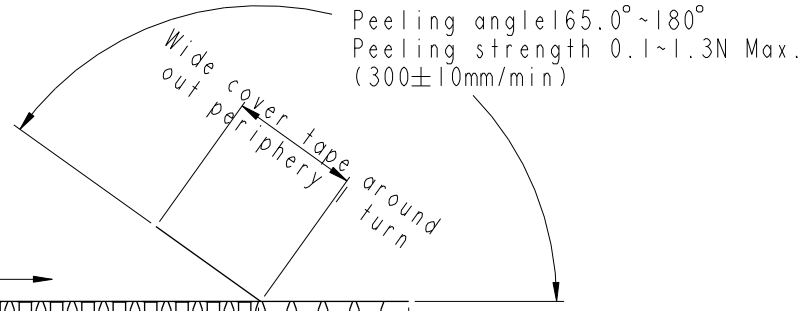
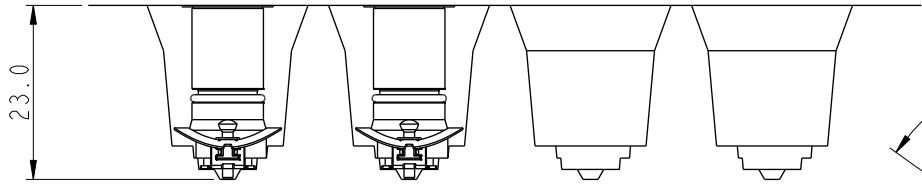
ITEM NO.	DRAWN BY Allen Pan	DATE 2020-07-14
DWG NO. MSBS-XXPMMT-EE0001	CHECKED BY Sam Ho	DATE 2020-07-14
CUSTOMER ALTW	APPROVED BY Fred Lee	DATE 2020-07-14

THIS DOCUMENT IS SUBJECT TO CHANGE WITHOUT NOTICE. IT IS CONFIDENTIAL AND A PROPERTY OF Amphenol LTW. DISCLOSURE TO THIRD PARTY HAS TO BE AUTHORIZED BY Amphenol LTW.

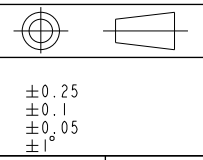
THIS DOCUMENT IS SUBJECT TO CHANGE WITHOUT NOTICE. IT IS CONFIDENTIAL AND A PROPERTY OF AMPHENOL LTW. DISCLOSURE TO THIRD PARTY HAS TO BE AUTHORIZED BY AMPHENOL LTW.



Note :
 Ⓞ * Connector Orientat follow Drawing



UNIT : mm
 TOLERANCE
 .X ±0.25
 .XX ±0.1
 .XXX ±0.05
 ANGLES ±1°



TITLE M12 B CODE M CONN M PIN SMT TYPE			
SCALE FREE	SIZE A4	SHEET 2 OF 3	
REV. A	WC-REV. A.1	Ⓞ : Inspection item	

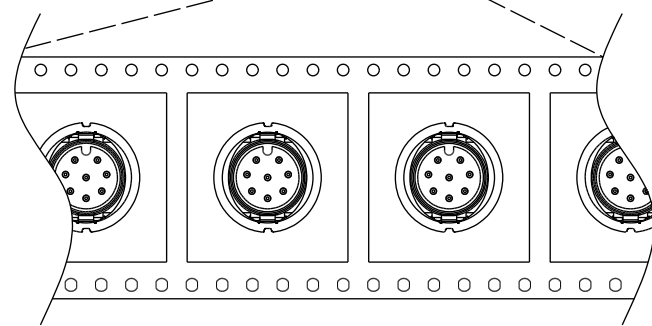
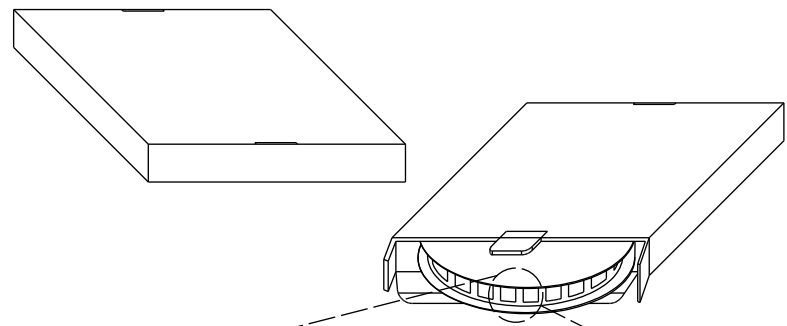
Amphenol LTW
 安費諾亮泰企業股份有限公司

ITEM NO	DRAWN BY Allen Pan	DATE 2020-07-14
DWG NO MSBS-XXPMMT-EE0001	CHECKED BY Sam Ho	DATE 2020-07-14
CUSTOMER ALTW	APPROVED BY Fred Lee	DATE 2020-07-14

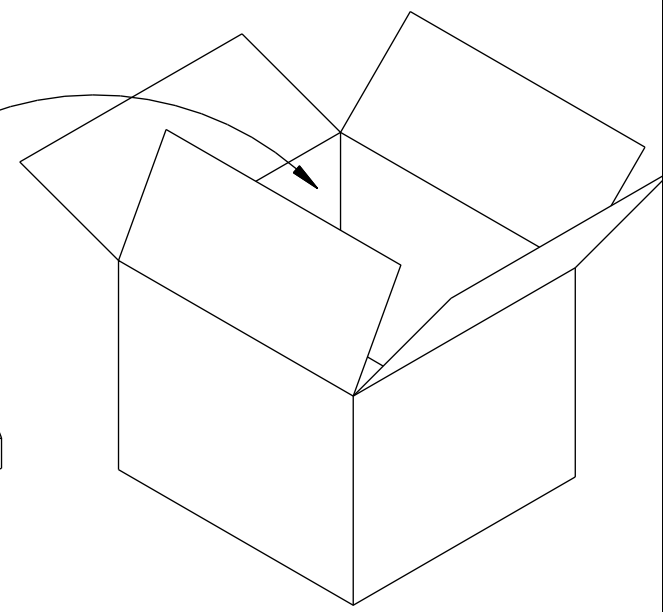
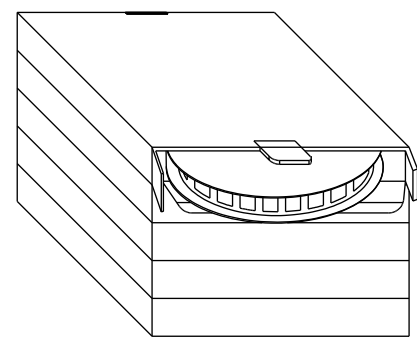
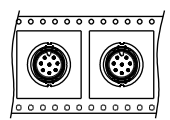
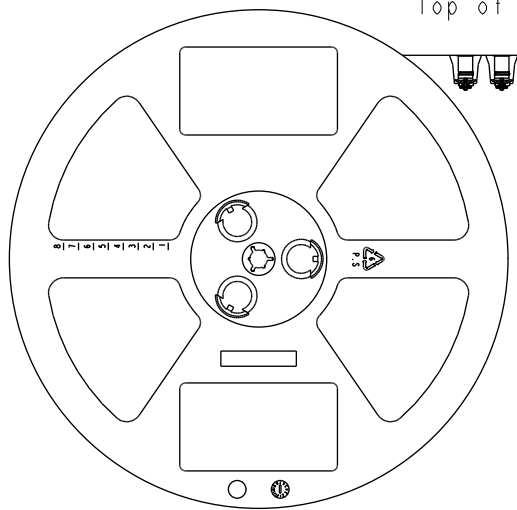
DATE 2020-07-14
DATE 2020-07-14
DATE 2020-07-14

DATE 2020-07-14
DATE 2020-07-14
DATE 2020-07-14

THIS DOCUMENT IS SUBJECT TO CHANGE WITHOUT NOTICE. IT IS CONFIDENTIAL AND A PROPERTY OF AMPHENOL LTW. DISCLOSURE TO THIRD PARTY HAS TO BE AUTHORIZED BY AMPHENOL LTW.



Top of Reel →



Note:
 100 PCS(Connector)/Tape&Reel Put in a Box
 5PCS(Max.) Box Put in a Carton

UNIT: mm	
TOLERANCE	
.X	±0.25
.XX	±0.1
.XXX	±0.05
ANGLES	±1°

TITLE M12 B CODE M CONN M PIN SMT TYPE			
SCALE FREE	SIZE A4	SHEET 3 OF 3	
REV. A	WC-REV. A.1	QC: Inspection item	

Amphenol LTW
 安費諾亮泰企業股份有限公司

ITEM NO	DRAWN BY Allen Pan	DATE 2020-07-14
DWG NO MSBS-XXPMMT-EE0001	CHECKED BY Sam Ho	DATE 2020-07-14
CUSTOMER ALTW	APPROVED BY Fred Lee	DATE 2020-07-14

DATE 2020-07-14
DATE 2020-07-14
DATE 2020-07-14

DATE 2020-07-14
DATE 2020-07-14
DATE 2020-07-14