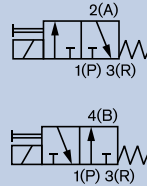


# Pivot Operated 3/2-way Solenoid Valve in brass or stainless steel

0330

## NPT 1/4"

- Isolating separating diaphragm design
- Long service life
- Handles slightly contaminated fluids with ease
- Manual override as standard

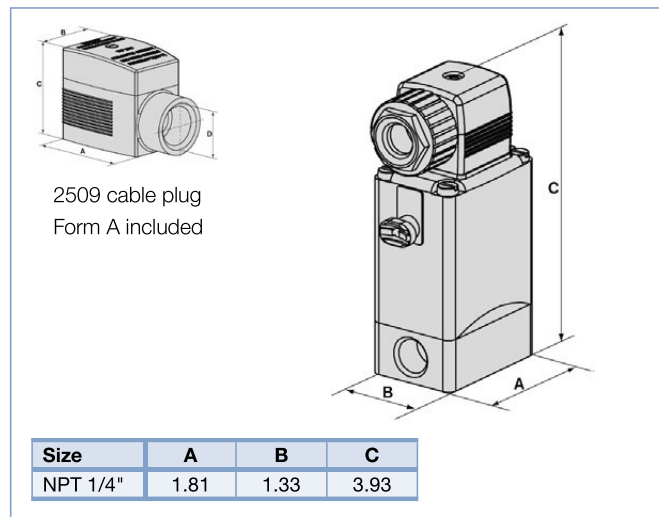


Direct-acting 3/2-way normally closed and normally open solenoid valves with pivoted armature and isolating diaphragm. This flexible valve series includes many options, various body materials, diaphragm and sealing materials and a range of electrical connections to suit many applications.

## Technical Data

Temperature media	32 °F to 176 °F (0 °C to +80 °C)
Ambient temperature	131 °F (+55 °C), max.
Viscosity	Max. 37 mm <sup>2</sup> /s
Voltage tolerance	±10%
Duty cycle	100% continuous rating
Body material	Brass (stainless steel on request)
Seal material	FKM
Coil material	Epoxy (Class H)
Power consumption	DC: 8 W, AC: 30 VA (inrush), 15 VA (hold)
Protection class	IP65, NEMA 4X for stainless steel only (with cable plug)
Electrical connection	Cable plug acc. to DIN EN 175301-803, Form A (included)
Accreditations	UL Listed

## Envelope Dimensions [inch] (see datasheet for details)



Orifice [mm]	Response times			
	AC		DC	
	Opening [ms]	Closing [ms]	Opening [ms]	Closing [ms]
2-4	8-15	8-15	10-20	10-20

Response times [ms]: Measured at valve outlet at 87 PSI (6 bar) and 68 °F (+20 °C)  
Opening: pressure relief 0 to 90%, Closing: pressure relief 100 to 10%

## Options

- Electrical position feedback
- Impulse coil
- Vacuum version
- Cable plug with LED and varistor
- Flange version Type 0331 with manifold mounting
- ATEX approval
- Version with higher purity and tightness (analysis model)
- CSA and FM approval
- Buna, EPDM, FFKM on request
- PVDF or Polypropylene on request
- 24V/60 Hz, 240/60 Hz

## Ordering Chart

Port connection [inch]	Orifice [mm]	Cv	Pressure range <sup>1)</sup>		Voltage/Frequency [V/Hz]			
			AC [PSI]	DC [PSI]	Brass		Stainless steel	
					24/DC	120/60	24V/DC	120V/60
<b>3-way normally closed configuration</b>								
NPT 1/4	2	0.13	0-174	0-174	341 670	327 520	327 518	327 522
NPT 1/4	3	0.27	0-145	0-145	327 249	327 244	327 532	327 599
<b>3-way normally open configuration</b>								
NPT 1/4	2	0.13	0-174	0-174	327 739	327 739	328 196	328 016
NPT 1/4	3	0.27	0-145	0-145	327 504	327 251	-	-

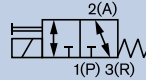
<sup>1)</sup> Pressure range for DC valves is 25% less than stated in the table.

# Pivot Operated 3/2-way Universal Solenoid Valve in brass or stainless steel

0330

**NPT 1/4", 0-174 PSI max.**

- Universal flow function
- Isolating separating diaphragm design
- Handles slightly contaminated fluids with ease
- Manual override as standard
- Long lifetime



Direct-acting 3/2-way universal function (E) solenoid valves with pivoted armature and isolating diaphragm. This flexible valve series includes many options, various body materials, diaphragm and sealing materials and a range of electrical connections to suit many applications.

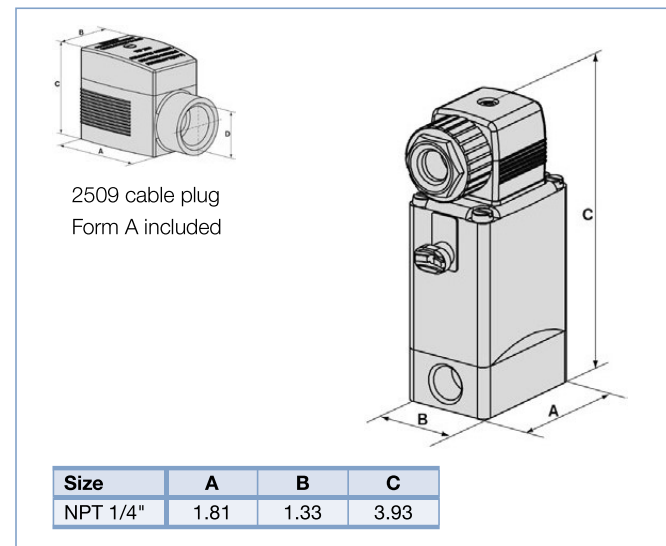
## Technical Data

Temperature media	32 °F to 176 °F (0 °C to +80 °C)
Ambient temperature	131 °F (+55 °C), max.
Viscosity	Max. 37 mm <sup>2</sup> /s
Voltage tolerance	±10%
Duty cycle	100% continuous rating
Body material	Brass or Stainless steel 1.4401
Seal material	FKM (FFKM, NBR and EPDM on request)
Coil material	Epoxy (Class H)
Power consumption	DC: 8 W, AC: 30 VA (inrush), 15 VA (hold)
Protection class	IP65, NEMA 4X for stainless steel only (with cable plug)
Electrical connection	Cable plug acc. to DIN EN 175301-803, Form A (included)
Accreditations	UL Listed

Orifice [mm]	Response times			
	AC		DC	
	Opening [ms]	Closing [ms]	Opening [ms]	Closing [ms]
2-4	8-15	8-15	10-20	10-20

**Response times [ms]:** Measured at valve outlet at 87 PSI (6 bar) and 68 °F (+20 °C)  
Opening: pressure relief 0 to 90%, Closing: pressure relief 100 to 10%

## Envelope Dimensions [inch] (see datasheet for details)



## Options

- Electrical position feedback
- Impulse coil
- Vacuum version
- Cable plug with LED and varistor
- Flange version Type 0331 with manifold mounting
- ATEX approval
- Version with higher purity and tightness (analysis model)
- CSA and FM approval
- Buna, EPDM, FFKM on request
- PVDF or Polypropylene on request
- 24V/60 Hz, 240/60 Hz

## Ordering Chart

Port connection [inch]	Orifice [mm]	Cv	Pressure range <sup>1)</sup>		Voltage/Frequency [V/Hz]	
			AC [PSI]	DC [PSI]	24/DC	120/60
<b>Brass valve body</b>						
NPT 1/4	3	0.27	0-85	0-85	327 514	327 509
NPT 1/4	4	0.33	0-42	0-42	327 895	341 669
<b>Stainless steel valve body</b>						
NPT 1/4	3	0.27	0-85	0-85	327 927	327 816
NPT 1/4	4	0.33	0-42	0-42	341 668	327 820

<sup>1)</sup> Pressure range for DC valves is 25% less than stated in the table.