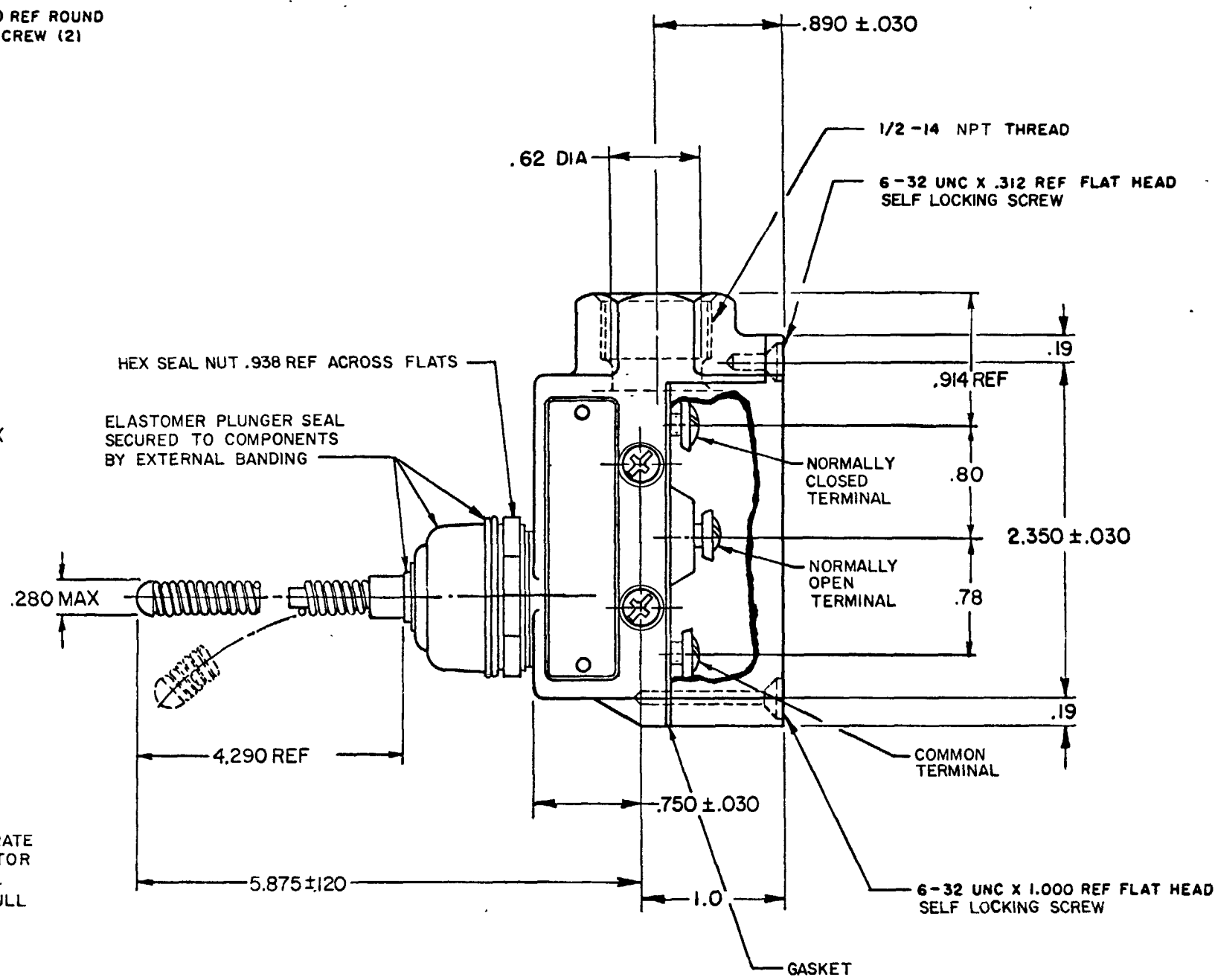
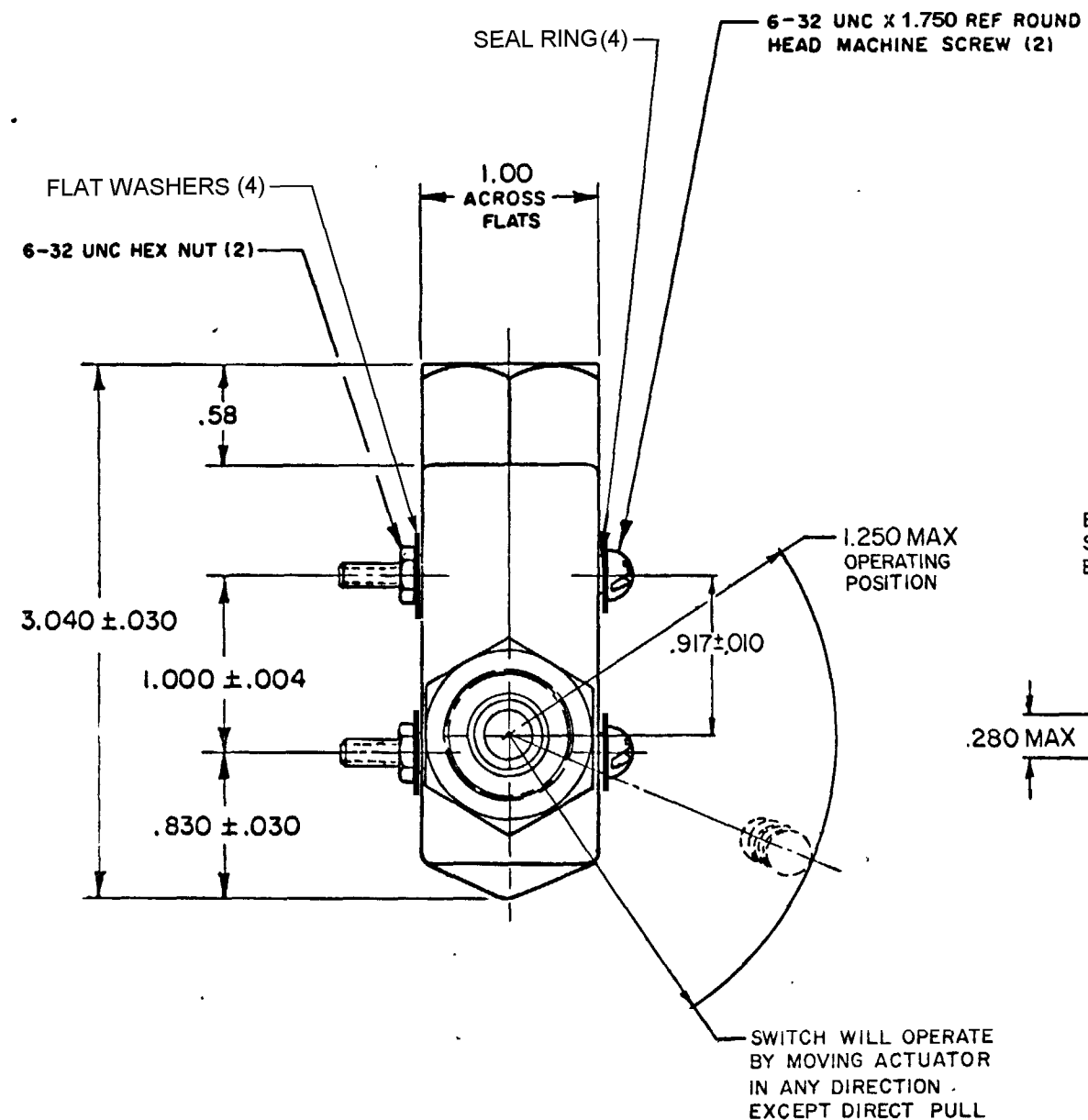


BZE6-2RN184
 DRAWING NUMBER
 ISSUE 12
 29AUG07
 PSR
 29AUG07
 CHECK
 10 SEP 71
 BS
 29AUG07
 B
 CO50017
 GM
 14 JAN 72
 C
 CO30398
 D B W
 12 APR 72
 D
 CO30575
 J A H
 8 MAY 72
 E
 CO 48877
 R J H
 12 JAN 82
 F
 CO53191
 TSK
 16 FEB 84
 G
 CO54958
 TSK
 30 MAY 85
 H
 CO72476
 MAM
 4 SEP 92
 J
 CO 77179A
 K D R
 17 FEB 94
 K
 0017020
 DVM
 18 NOV 05
 GEM
 13 SEP 71
 CHECK
 10 SEP 71
 DRAWN
 RASTER
 10-46-003



NOTE -
 1 - ZINC ENCLOSURE FINISHED WITH GRAY PAINT
 2 - 6-32 UNC X .219 REF TERMINAL SCREW AND CUPWASHER (3)
 3 - FOR SALES ONLY TO NEW YORK AIR BREAK AND MILLTRONICS

THIS DRAWING COVERS A PROPRIETARY ITEM AND IS THE PROPERTY OF MICRO SWITCH, A DIVISION OF MINNEAPOLIS-HONEYWELL REGULATOR CO. THIS DRAWING IS NOT TO BE COPIED OR USED WITHOUT THE APPROVAL OF MICRO SWITCH.

CHARACTERISTICS	ELECTRICAL DATA	SCALE FULL
OPERATING FORCE ----- 7 OZ MAX	CONTACT ARRANGEMENT S P D T	DO NOT SCALE PRINT
OPERATING POSITION ----- 15° MAX	15A - 125, 250 OR 480 VAC, 1/8HP - 125 VAC; 1/4HP - 250 VAC 1/2A - 125 VDC; 1/4A - 250 VDC	UNLESS OTHERWISE SPECIFIED DIMENSIONS ARE IN INCHES TOLERANCES ARE: ONE PLACE (.0) ±.030 TWO PLACE (.00) ±.015 THREE PLACE (.000) ±.005 ANGLES ±
SWITCH BASIC REPLACEMENT ---- BZ-2R-A2		WEIGHT