

Mini Horns Sirens Buzzer / Signal Horn 582

**Signal horn WM Contin. tone 24VDC GY**

Part No.: 582.052.55

**MECHANICAL DATA**

|                              |                             |
|------------------------------|-----------------------------|
| Height                       | 172 mm                      |
| Diameter                     | 70 mm                       |
| Materials                    | PC/ABS                      |
| Housing colour               | Grey                        |
| Protection category          | IP33                        |
| Connection                   | Screw terminals             |
| cross-sectional area maximum | 1,50mm <sup>2</sup> / 16AWG |
| Cable entry                  | Through hole                |
| Cable entry maximum          | d = 9 mm                    |
| Type of fixing               | Wall mounting               |
| Working temperature minimum  | -20°C                       |
| Working temperature maximum  | +60°C                       |
| Weight with packaging        | 212 g                       |
| Product weight               | 179 g                       |

**ELECTRICAL DATA**

|                             |                    |
|-----------------------------|--------------------|
| Operating voltage           | 24V                |
| Operating voltage type      | DC                 |
| Operating voltage tolerance | +/- 10%            |
| Rated operational voltage   | 24 VDC             |
| Rated operational current   | 70 mA              |
| Rated inrush current        | <5A                |
| Protection class            | Protection class 3 |
| Pollution degree            | 2                  |
| Request to external PSU     | SELV/PELV          |

**ACUSTICAL DATA**

|                               |                 |
|-------------------------------|-----------------|
| Volume/dB(max) at 1m distance | 92,0 dB (A)     |
| Acoustic signal image         | Continuous tone |
| Audio frequency               | 500 Hz          |
| Acoustic service life         | 300 h minimum   |

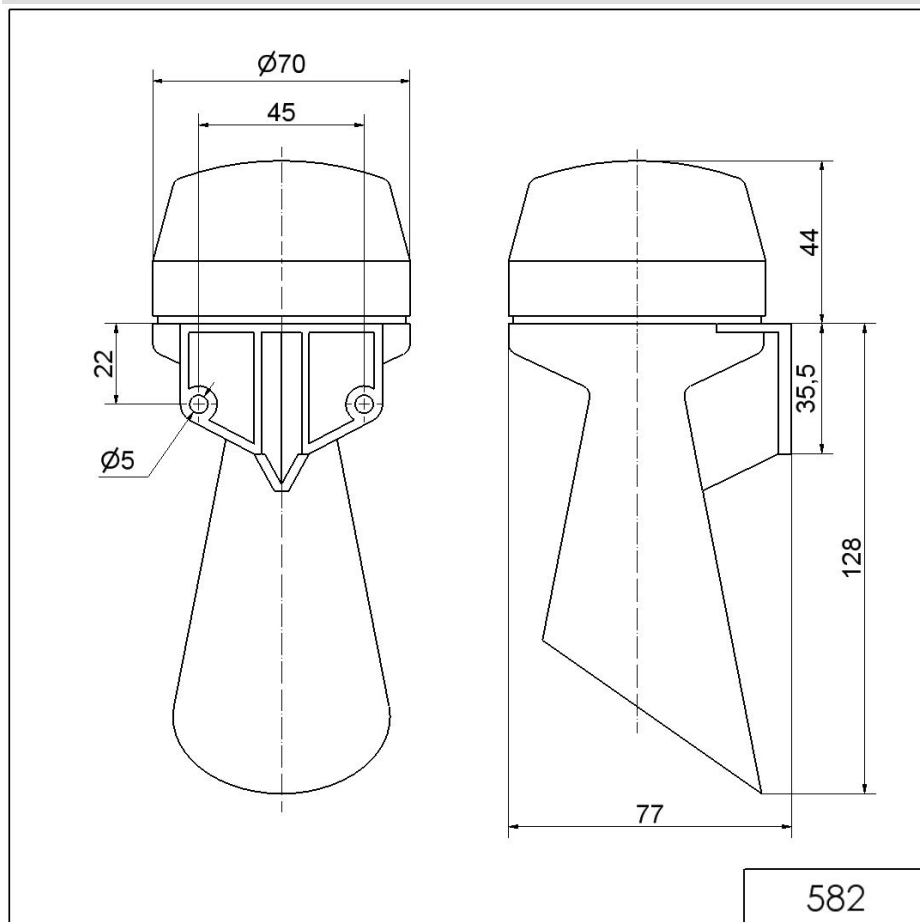


For additional installation and mounting information, refer to the appropriate user guide at [www.werma.com](http://www.werma.com). This printed copy is for information only and is subject to alteration.

Mini Horns Sirens Buzzer / Signal Horn 582

**Signal horn WM Contin. tone 24VDC GY**

**DRAWING**



For additional installation and mounting information, refer to the appropriate user guide at [www.werma.com](http://www.werma.com). This printed copy is for information only and is subject to alteration.