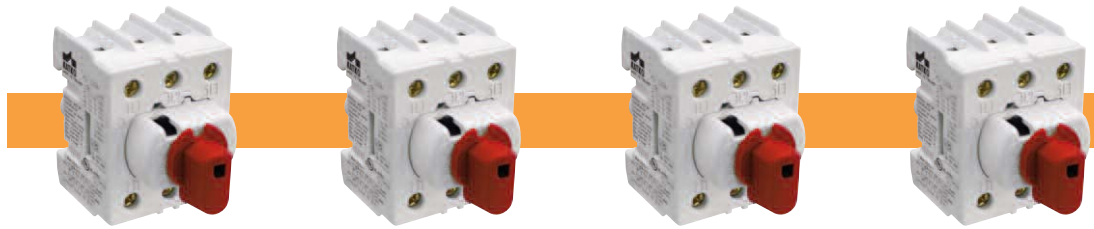


## Extended/Direct Handle Motor Disconnect Switch

The KU/VKA...N series can be used with extended and direct handles (see page 8-9 for details).



Catalog Number	KU316N	KU325N	KU340N	KU363N
No. of Poles	3 (4 pole - KU416N)	3 (4 pole - KU425N)	3 (4 pole - KU440N)	3 (4 pole - KU463N)
General Purpose Current	16A	25A	40A	60A
Maximum Voltage	600V AC	600V AC	600V AC	600V AC
Motor FLA @ 480V AC	14A	17.5A	28A	34A
Motor FLA @ 600V AC	9A	11A	18A	27A

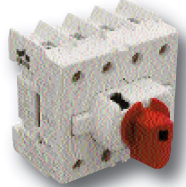
Horsepower Rating /HP	1 Phase		3 Phase		1 Phase		3 Phase		1 Phase		3 Phase	
	110-120V AC	3/4	1 1/2	1	2	2	3	7.5	5	3	5	10
200V AC	2	3	2	5	3	7.5	5	5	10	20		
208V AC	2	3	2	5	3	7.5	5	5	10	20		
220-240V AC	2	3	3	7.5	5	10	5	10	15	25		
265V AC	2	3	3	7.5	5	10	5	10	15	25		
277V AC	2	3	3	7.5	5	10	7.5	10	15	25		
380-415V AC	3	7.5	5	10	7.5	15	10	15	20	25		
440-480V AC	5	10	7.5	15	10	20	15	20	25	30		
550-600V AC	3	7.5	5	10	7.5	15	15	20	25	30		

Short Circuit Withstand Rating at 600 V with Max. Fuse Size/Class:	10kA	10kA	10kA	10kA
K5	50A	50A	50A	60A
RK5	50A	50A	50A	60A (80A@480V AC)
RK1	80A	80A	80A	100A
J	80A	80A	80A	100A

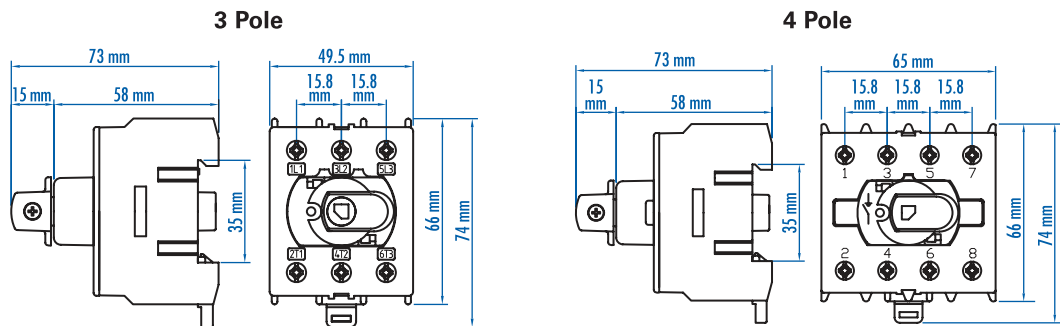
Terminal Size Acceptability (Cu Conductors only, 75°C)	14-8AWG	14-8AWG	14-8AWG	12-4AWG
Terminal Torque	16 lb. in.	16 lb. in.	16 lb. in.	16 lb. in.

### Dimensions

(to convert to inches multiply by 0.03937)



4 Pole



Weight	0.19Kg (0.419lb.) (3 pole) 0.23Kg (0.507lb.) (4 pole)	0.172Kg (0.379lb.) (3 pole) 0.215Kg (0.474lb.) (4 pole)	0.172Kg (0.379lb.) (3 pole) 0.215Kg (0.474lb.) (4 pole)	0.200Kg (0.441lb.) (3 pole) 0.245Kg (0.540lb.) (4 pole)
--------	--	--	--	--

### Suitable Accessories

#### Extended Handle Version/ Door Interlock Mechanism

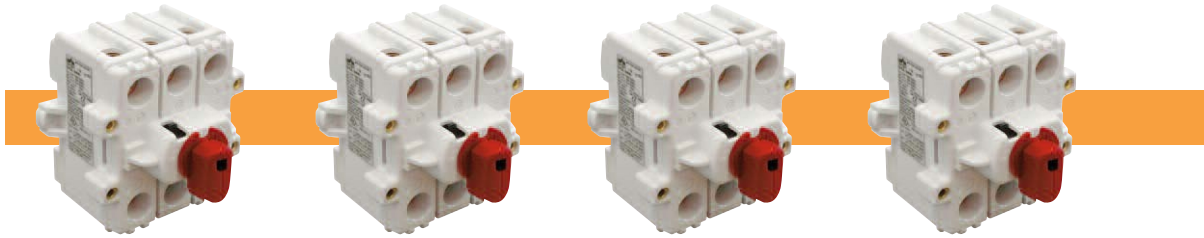
Shaft	L(1,2,3)00AD11-ST	L(1,2,3)00AD11-ST	L(1,2,3)00AD11-ST	L(1,2,3)00AD11-ST
Handles	LK10 (Y/R) UL, LK11 (Y/R) U	LK10 (Y/R) UL, LK11 (Y/R) U	LK10 (Y/R) UL, LK11 (Y/R) U	LK10 (Y/R) UL, LK11 (Y/R) U
Auxiliary Switch	KU1.V, KU2.V	KU1.V, KU2.V	KU1.V, KU2.V	KU1.V, KU2.V
Fuse Holder	—	—	KV 10x38, KV 10x38 CC	—

#### Direct Handle Version

Handle for 3 Pole	K/KU3P (Y/R)	K/KU3P (Y/R)	K/KU3P (Y/R)	K/KU3P (Y/R)
Handle for 4 Pole	K/KU4P (Y/R)	K/KU4P (Y/R)	K/KU4P (Y/R)	K/KU4P (Y/R)
Door Mounting Kits	OKA/KU LK10 x; OKA x	OKA/KU LK10 x; OKA x	OKA/KU LK10 x; OKA x	OKA/KU LK10 x; OKA x

## Extended/Direct Handle Motor Disconnect Switch

The KU/VKA...N series can be used with extended and direct handles (see page 8-9 for details).



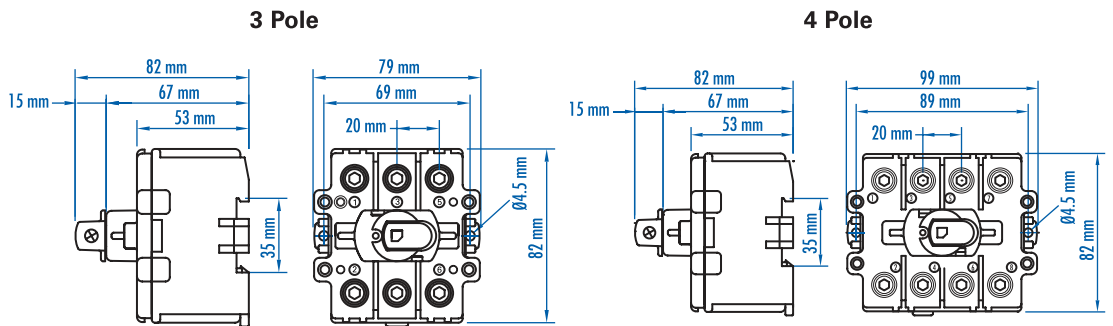
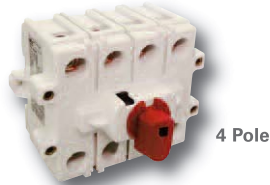
Catalog Number	VKA380N	VKA3100N	VKA3125N	VKA3160N
No. of Poles	3 (4 pole - VKA480N)	3 (4 pole - VKA4100N)	3 (4 pole - VKA4125N)	3 (4 pole - VKA4160N)
General Purpose Current	80A	100A	125A	150A
Maximum Voltage	600V AC	600V AC	600V AC	600V AC
Motor FLA @ 480V AC	-	-	-	-
Motor FLA @ 600V AC	47A	54A	68A	83A

Horsepower Rating /HP	1 Phase		3 Phase		1 Phase		3 Phase		1 Phase		3 Phase	
	110-120V AC	3	7.5	3	7.5	5	10	5	10	7.5	10	7.5
200V AC	7.5	10	7.5	15	10	20	10	20	10	25	10	25
208V AC	7.5	15	7.5	15	10	20	10	20	10	25	10	25
220-240V AC	7.5	15	10	20	15	25	15	25	15	30	15	30
265V AC	10	20	10	20	15	25	15	25	20	30	20	30
277V AC	10	20	10	20	15	30	15	30	20	30	20	30
380-415V AC	15	25	15	30	20	40	20	40	25	50	25	50
440-480V AC	20	30	20	40	25	50	25	50	30	60	30	60
550-600V AC	25	40	30	50	30	60	30	60	40	75	40	75

Short Circuit Withstand Rating at 600 V with Max. Fuse Size/Class:	10kA	10kA	10kA	10kA
K5	150A	150A	150A	150A
RK5	150A	150A	150A	150A
RK1	-	-	-	-
J	200A	200A	200A	200A
Terminal Size Acceptability (Cu Conductors only, 75°C)	4-1/0AWG	4-1/0AWG	4-1/0AWG	4-1/0AWG
Terminal Torque	50 lb. in.	50 lb. in.	50 lb. in.	50 lb. in.

### Dimensions

(to convert to inches multiply by 0.03937)



Weight	0.480Kg (1.058lb.) (3 pole) 0.620Kg (1.367lb.) (4 pole)	0.480Kg (1.058lb.) (3 pole) 0.620Kg (1.367lb.) (4 pole)	0.480Kg (1.058lb.) (3 pole) 0.620Kg (1.367lb.) (4 pole)	0.480Kg (1.058lb.) (3 pole) 0.620Kg (1.367lb.) (4 pole)
--------	--	--	--	--

### Suitable Accessories

#### Extended Handle Version/ Door Interlock Mechanism

Shaft	L(1,2,3)00AD11-ST	L(1,2,3)00AD11-ST	L(1,2,3)00AD11-ST	L(1,2,3)00AD11-ST
Handles	LK10 (Y/R) UL, LK11 (Y/R) U	LK10 (Y/R) UL, LK11 (Y/R) U	LK10 (Y/R) UL, LK11 (Y/R) U	LK10 (Y/R) UL, LK11 (Y/R) U
Auxiliary Switch	VKA1.V, VKA2.V	VKA1.V, VKA2.V	VKA1.V, VKA2.V	VKA1.V, VKA2.V
Fuse Holder	-	-	-	-

#### Direct Handle Version

Handle for 3 & 4 Pole	K/VKA3-4P (Y/R)	K/VKA3-4P (Y/R)	K/VKA3-4P (Y/R)	K/VKA3-4P (Y/R)
Door Mounting Kits	OKA/VKA x	OKA/VKA x	OKA/VKA x	OKA/VKA x

**Dimensions** (to convert to inches multiply by 0.03937)

## Extended Handle Accessories

### DOOR INTERLOCK HANDLES

with 3 padlock locations\*

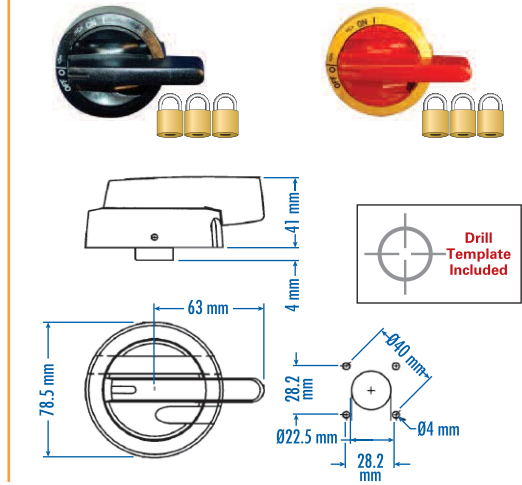
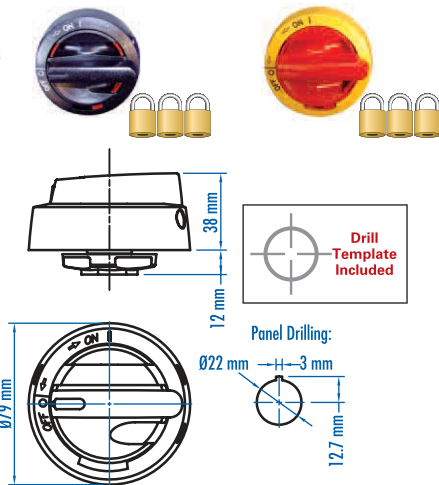


**LK10 (Y/R) UL:**

- Single hole mounting (22.5mm)
- Defeatable (built-in mechanism)

**LK11 (Y/R) U:**

- Retention mechanism (only rotates 90° from off to on, keeps handle in off position while cabinet door is open)
- Defeatable (looses NEMA rating)



**Cat. No.**

**Environmental Rating**

**Color**

LK10 UL

NEMA Type 4X, IP66

Black

LK10 Y/R UL

NEMA Type 4X, IP66

Yellow/Red

LK11 U

NEMA Type 4X, IP67

Black

LK11 Y/R U

NEMA Type 4X, IP67

Yellow/Red

### DOOR INTERLOCK SHAFT

The steel shaft ensures reliable operation even in the toughest conditions.

**Cat. No.**

L100AD11-ST

L200AD11-ST

L300AD11-ST

**Length (L)**

100mm

200mm

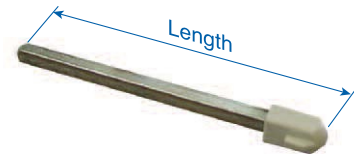
300mm

**Material**

Steel

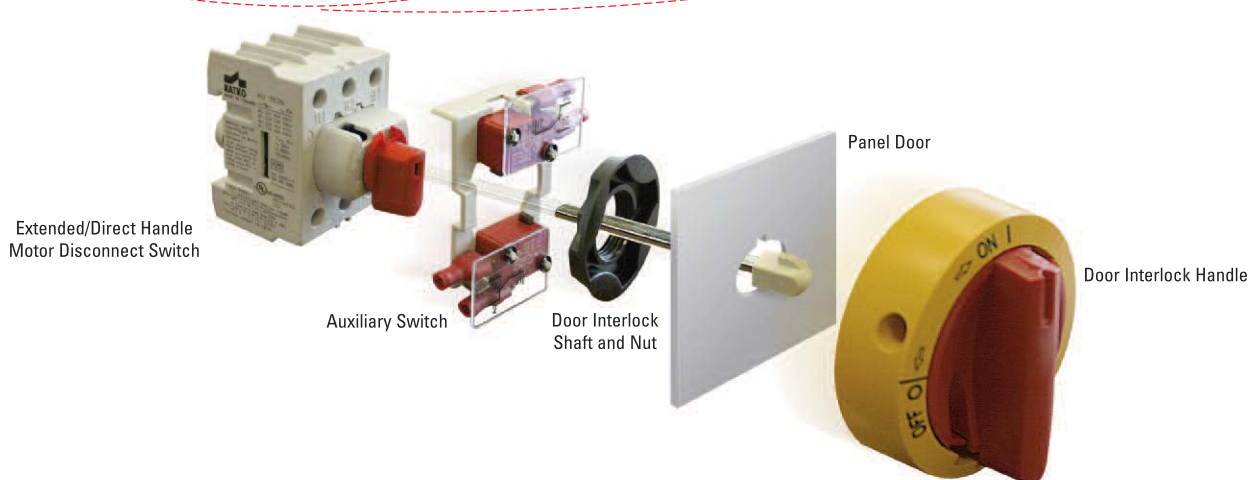
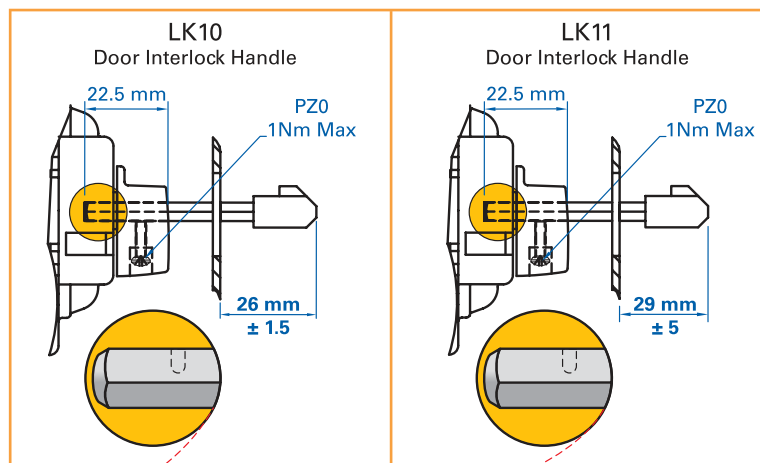
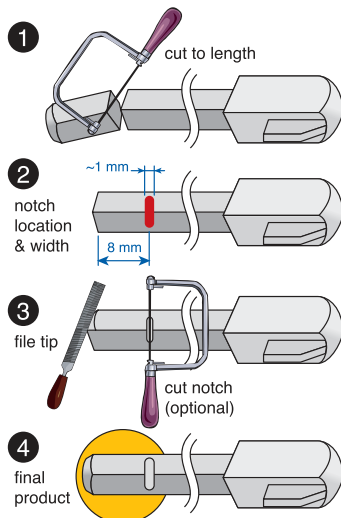
Steel

Steel



### SHAFT CUTTING RECOMMENDATIONS

### SHAFT LENGTH GUIDELINE



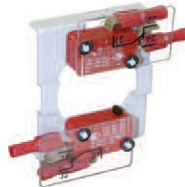
\*1/4" padlocks not included.

**Dimensions** (to convert to inches multiply by 0.03937)

## Extended Handle Accessories

### AUXILIARY SWITCHES

The auxiliary switches are the snap-on type and can be retrofitted.



Cat. No.	KU1.V	KU2.V	VKA1.V	VKA2.V
<b>Electrical Rating</b>	10A/1/2HP/125-250V AC	10A/1/2HP/125-250V AC	10A/1/2HP/125-250V AC	10A/1/2HP/125-250V AC
<b>No. of contacts</b>	1n.o./1n.c.	2n.o./2n.c.	1n.o./1n.c.	2n.o./2n.c.
<b>For Use With</b>	KU models	KU models	VKA models	VKA models

### FUSE HOLDER

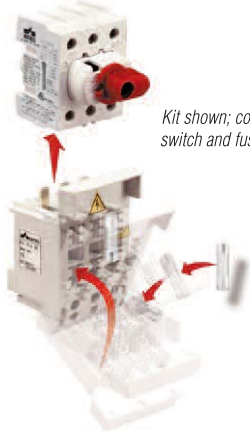
This fuseholder can be retrofitted with the KU340N. Therefore design changes can be incorporated with ease to allow a fusible disconnect.



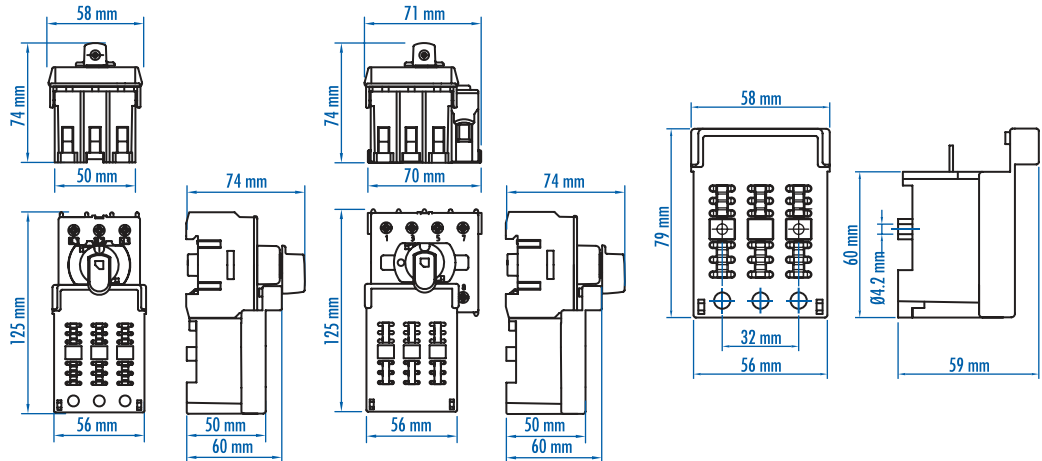
Kit shown; comes with KU340N and fuse holder.



Cat. No.	KKV 332	KKV 332CC	KV 10x38	KV 10x38 CC
<b>Electrical Rating</b>	30A/600V AC	30A/600V AC	30A/600V AC	30A/600V AC
<b>Fuse Type</b>	10x38, Midget	Class CC	10x38, Midget	Class CC
<b>For Use With</b>	-	-	KU340N	KU340N
<b>Kit Includes</b>	KV 10x38 / KU340N	KV 10x38 CC / KU340N	-	-



Kit shown; comes with switch and fuse holder.



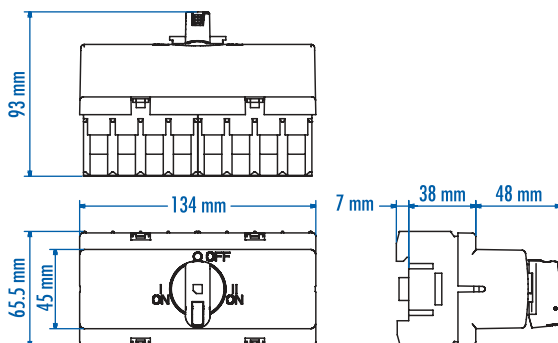
### CHANGE-OVER KITS

- For 2 KU switches
- Available with black or yellow/red handle (Y/R)



**Cat. No.** KU3/4P VV  
**Color** Black

**Cat. No.** KU3/4P VVY/R  
**Color** Yellow/Red

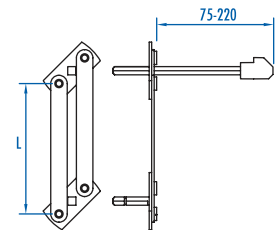
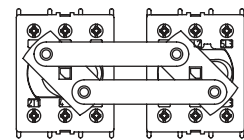


### PARALLEL KITS

- For KU and VKA-switches
- Assembly depth for KU 155-300 mm
- Assembly depth for VKA 164-310 mm



Center pivoting model available, contact Altech.



Cat. No.	Length (L)	For use with
RV 66S-ST	66 mm	2x KU 3 pole (3P)
RV 80S-ST	80 mm	2x KU 4P/VKA 3P
RV 104S-ST	104 mm	2x VKA 4P

Dimensions (to convert to inches multiply by 0.03937)

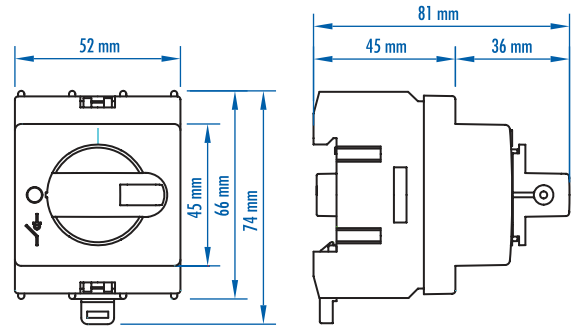
## Direct Handle Accessories and Mounting Alternatives

### DIRECT HANDLES

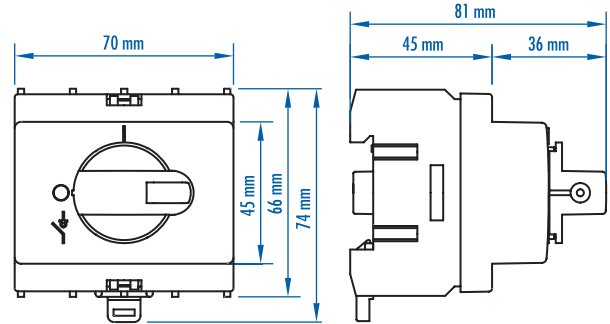
Improved design with metal shaft. Use for all your "inside the panel" applications. 1 suitcase lock location.



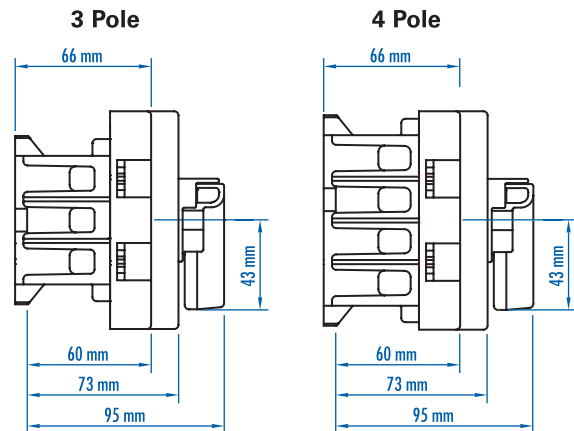
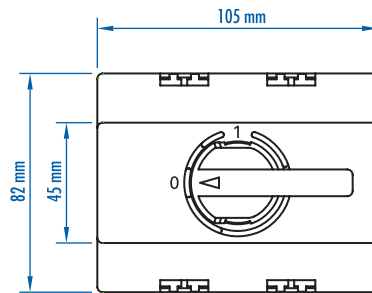
<b>Cat. No.</b>	K/KU3P	K/KU3PY/R
<b>Color</b>	Black	Yellow/Red
<b>For use with</b>	KU models (3P)	KU models (3P)



<b>Cat. No.</b>	K/KU4P	K/KU4PY/R
<b>Color</b>	Black	Yellow/Red
<b>For use with</b>	KU models (4P)	KU models (4P)



<b>Cat. No.</b>	K/VKA3-4P	K/VKA3-4PY/R
<b>Color</b>	Black	Yellow/Red
<b>For use with</b>	VKA models (3/4P)	VKA models (3/4P)

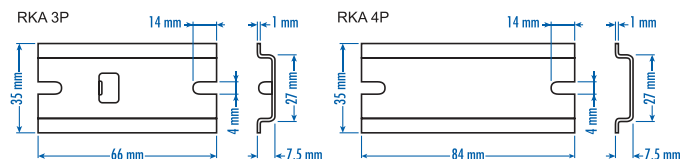


### ALUMINUM DIN RAIL

Panel mount option for small Disconnect Switches.



<b>Cat. No.</b>	RKA 3P	RKA 4P
<b>For Use With</b>	KU325/40/63N	KU425/40/63N



### NOTE:

In the rare case that your mounting hardware (screws) for DIN Rail interfere with the enforcement studs in the back of the Motor Disconnect Switch please use smaller ( $\leq M3$  or equivalent) flathead screws or change your DIN Rail to the 15mm high version.

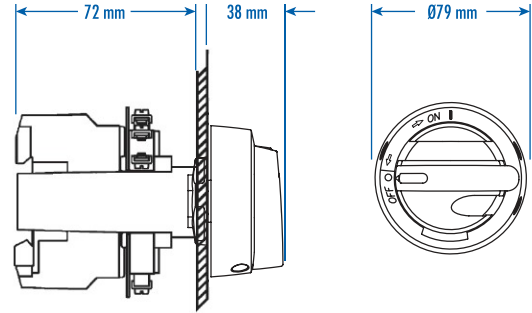
**Dimensions** (to convert to inches multiply by 0.03937)

## Door Mounting Kits

Designed for fast and easy assembly.

### OKA/KU LK10 Series

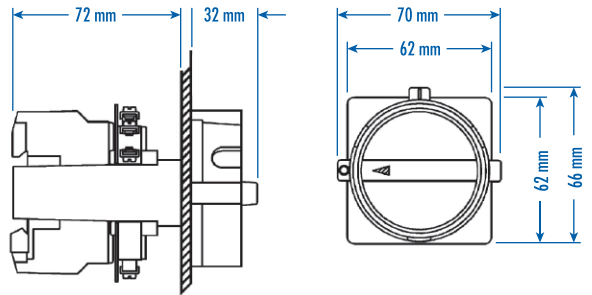
Environmental ratings: NEMA Type 4X, IP66; 3 padlock locations\*.



Cat. No. (Black Handle)	Cat. No. (Yellow/Red Handle)	No. of aux. switches	For use with
OKA/KU LK10	OKA/KU LK10 Y/R	0	3 Pole KU switch
OKA/KU LK10 1.V	OKA/KU LK10 1.V Y/R	1	3 Pole KU switch
OKA/KU LK10 2.V	OKA/KU LK10 2.V Y/R	2	3 Pole KU switch
OKA/KU4P LK10	OKA/KU4P LK10 Y/R	0	4 Pole KU switch
OKA/KU4P LK10 1.V	OKA/KU4P LK10 1.V Y/R	1	4 Pole KU switch
OKA/KU4P LK10 2.V	OKA/KU4P LK10 2.V Y/R	2	4 Pole KU switch

### OKA Series

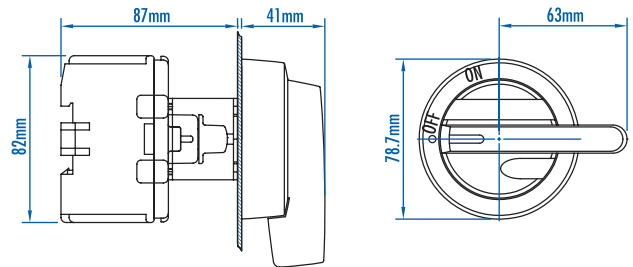
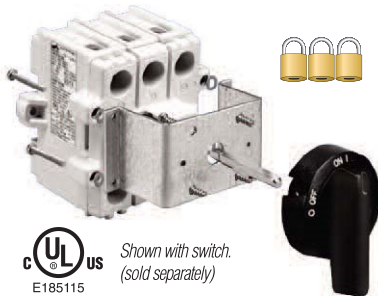
Environmental ratings: IP65; 3 padlock locations\*.



Cat. No. (Black Handle)	Cat. No. (Yellow/Red Handle)	No. of aux. switches	For use with
OKA 0.V	OKA 0.V Y/R	0	3 Pole KU switch
OKA 1.V	OKA 1.V Y/R	1	3 Pole KU switch
OKA 2.V	OKA 2.V Y/R	2	3 Pole KU switch

### OKA/VKA Series

Environmental ratings: NEMA Type 4X, IP67; 3 padlock locations\*.



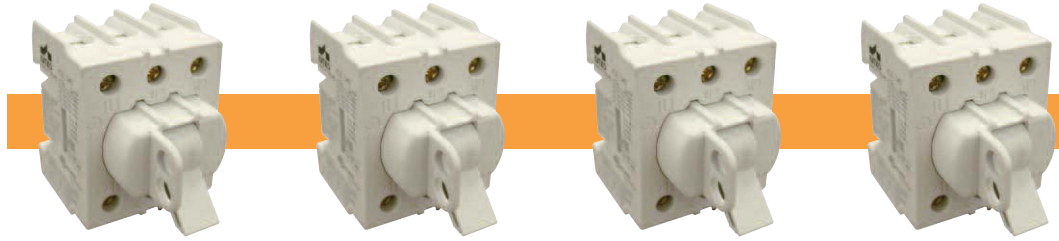
Cat. No. (Black Handle)	Cat. No. (Yellow/Red Handle)	No. of aux. switches	For use with
OKA/VKA 0.V	OKA/VKA 0.V Y/R	0	3 Pole VKA switch
OKA/VKA 1.V	OKA/VKA 1.V Y/R	1	3 Pole VKA switch
OKA/VKA 2.V	OKA/VKA 2.V Y/R	2	3 Pole VKA switch
OKA/VKA4P 0.V	OKA/VKA4P 0.V Y/R	0	4 Pole VKA switch
OKA/VKA4P 1.V	OKA/VKA4P 1.V Y/R	1	4 Pole VKA switch
OKA/VKA4P 2.V	OKA/VKA4P 2.V Y/R	2	4 Pole VKA switch

\*1/4" padlocks not included.

**Dimensions** (to convert to inches multiply by 0.03937)

## Toggle Handle Motor Disconnect Switch

The KUE series only requires an additional cover plate (see below) which makes the switch IP20 touch proof.



Catalog Number	KUE316	KUE325	KUE340	KUE363
No. of Poles	3	3	3	3
General Purpose Current	16A	25A	40A	60A
Maximum Voltage	600V AC	600V AC	600V AC	600V AC
Motor FLA @ 480V AC	14A	17.5A	28A	34A
Motor FLA @ 600V AC	9A	11A	18A	27A

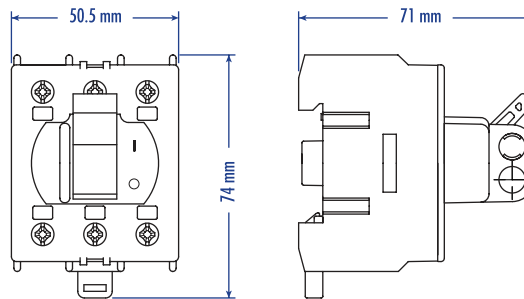
Horsepower Rating /HP	KUE316		KUE325		KUE340		KUE363	
	1 Phase	3 Phase	1 Phase	3 Phase	1 Phase	3 Phase	1 Phase	3 Phase
110-120V AC	3/4	1 1/2	1	2	2	3	3	5
200V AC	2	3	2	5	3	7.5	5	10
208V AC	2	3	2	5	3	7.5	5	10
220-240V AC	2	3	3	7.5	5	10	5	10
265V AC	2	3	3	7.5	5	10	5	10
277V AC	2	3	3	7.5	5	10	7.5	10
380-415V AC	3	7.5	5	10	7.5	15	10	20
440-480V AC	5	10	7.5	15	10	20	15	25
550-600V AC	3	7.5	5	10	7.5	15	15	25

Short Circuit Withstand Rating at 600 V with Max. Fuse Size/Class:	KUE316	KUE325	KUE340	KUE363
K5	50A	50A	50A	60A
RK5	50A	50A	50A	60A (80A @ 480V AC)
RK1	80A	80A	80A	100A
J	80A	80A	80A	100A

Terminal Size Acceptability (Cu Conductors only, 75°C)	KUE316	KUE325	KUE340	KUE363
Terminal Size Acceptability	14-8AWG	14-8AWG	14-8AWG	12-4AWG
Terminal Torque	16 lb. in.	16 lb. in.	16 lb. in.	16 lb. in.

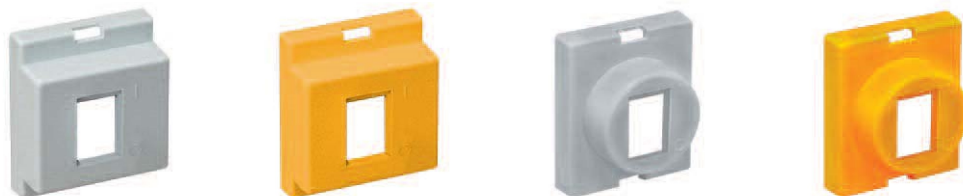
### Dimensions

(to convert to inches multiply by 0.03937)



Weight	KUE316	KUE325	KUE340	KUE363
Weight	0.19Kg (0.419lb.)	0.172Kg (0.379lb.)	0.172Kg (0.379lb.)	0.200Kg (0.441lb.)

### Suitable Accessories Cover Plate

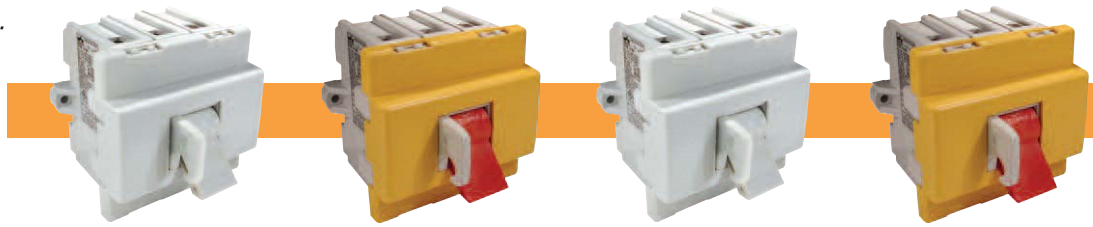


Cat. No.	K/KUE	K/KUEY	R/KUE	R/KUEY
Color	Grey	Yellow	Grey	Yellow
Shape	Rectangular	Rectangular	Circular	Circular

Dimensions (to convert to inches multiply by 0.03937)

## Toggle Handle Motor Disconnect Switch

The EVA series includes a cover plate.



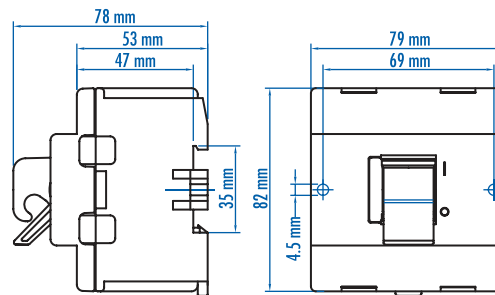
Catalog Number	EVA380 + K/EVA	EVA3100 + K/EVA	EVA3125 + K/EVA	EVA3160 + K/EVA
White Cover/ White Handle	EVA380 + K/EVA	EVA3100 + K/EVA	EVA3125 + K/EVA	EVA3160 + K/EVA
Yellow Cover/ Red Handle	EVA380 + K/EVA Y/R	EVA3100 + K/EVA Y/R	EVA3125 + K/EVA Y/R	EVA3160 + K/EVA Y/R
No. of Poles	3	3	3	3
General Purpose Current	80A	100A	125A	150A
Maximum Voltage	600V AC	600V AC	600V AC	600V AC
Motor FLA @ 480V AC	—	—	—	—
Motor FLA @ 600V AC	47A	54A	68A	83A

Horsepower Rating /HP	EVA380 + K/EVA		EVA3100 + K/EVA		EVA3125 + K/EVA		EVA3160 + K/EVA	
	1 Phase	3 Phase	1 Phase	3 Phase	1 Phase	3 Phase	1 Phase	3 Phase
110-120V AC	3	7.5	3	7.5	5	10	7.5	10
200V AC	7.5	10	7.5	15	10	20	10	25
208V AC	7.5	15	7.5	15	10	20	10	25
220-240V AC	7.5	15	10	20	15	25	15	30
265V AC	10	20	10	20	15	25	20	30
277V AC	10	20	10	20	15	30	20	30
380-415V AC	15	25	15	30	20	40	25	50
440-480V AC	20	30	20	40	25	50	30	60
550-600V AC	25	40	30	50	30	60	40	75

Short Circuit Withstand Rating at 600 V with Max. Fuse Size/Class:	EVA380 + K/EVA		EVA3100 + K/EVA		EVA3125 + K/EVA		EVA3160 + K/EVA	
	1 Phase	3 Phase	1 Phase	3 Phase	1 Phase	3 Phase	1 Phase	3 Phase
K5	150A	150A	150A	150A	150A	150A	150A	150A
RK5	150A	150A	150A	150A	150A	150A	150A	150A
RK1	—	—	—	—	—	—	—	—
J	200A	200A	200A	200A	200A	200A	200A	200A

Terminal Size Acceptability (Cu Conductors only, 75°C)	4-1/0AWG	4-1/0AWG	4-1/0AWG	4-1/0AWG
Terminal Torque	50 lb. in.	50 lb. in.	50 lb. in.	50 lb. in.

**Dimensions**  
(to convert to inches multiply by 0.03937)



Weight	0.480Kg (1.058lb.) (3 pole)	0.480Kg (1.058lb.) (3 pole)	0.480Kg (1.058lb.) (3 pole)	0.480Kg (1.058lb.) (3 pole)
--------	-----------------------------	-----------------------------	-----------------------------	-----------------------------



**Special Black Toggle Handle Motor Disconnect Switch**  
EVA3100 + K/EVAB

**Dimensions** (to convert to inches multiply by 0.03937)



## Enclosed Motor Disconnect Switch

These enclosed switches can be used locally at the motor.



### Catalog Number

Black Handle

Yellow/ Red Handle

	KEM325UL KEM325UL Y/R	KEM340UL KEM340UL Y/R	KEM360UL KEM360UL Y/R	KEM380UL KEM380UL Y/R
No. of Poles	3 (4 pole - KEM425UL Y/R)	3 (4 pole - KEM440UL Y/R)	3 (4 pole - KEM460UL Y/R)	3 (4 pole - KEM480UL Y/R)
General Purpose Current	25A	40A	60A	80A
Maximum Voltage	600V AC	600V AC	600V AC	600V AC
Motor FLA @ 480V AC	17.5A	28A	34A	—
Motor FLA @ 600V AC	11A	18A	27A	47A

### Horsepower Rating /HP

	1 Phase	3 Phase	1 Phase	3 Phase	1 Phase	3 Phase	1 Phase	3 Phase
110-120V AC	1	2	2	3	3	5	3	7.5
200V AC	2	5	3	7.5	5	10	7.5	10
208V AC	2	5	3	7.5	5	10	7.5	15
220-240V AC	3	7.5	5	10	5	10	7.5	15
265V AC	3	7.5	5	10	5	10	10	20
277V AC	3	7.5	5	10	7.5	10	10	20
380-415V AC	5	10	7.5	15	10	20	15	25
440-480V AC	7.5	15	10	20	15	25	20	30
550-600V AC	5	10	7.5	15	15	25	25	40

### Short Circuit Withstand Rating at 600 V with Max. Fuse Size/Class:

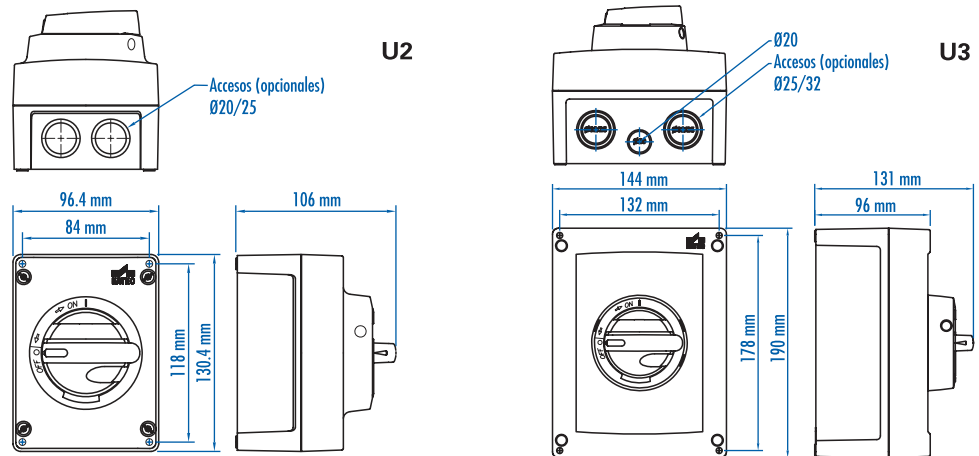
	KEM325UL	KEM340UL	KEM360UL	KEM380UL
K5	50A	50A	60A	150A
RK5	50A	50A	60A (80A @ 480V AC)	150A
RK1	80A	80A	100A	—
J	80A	80A	100A	200A

### Terminal Size Acceptability (Cu Conductors only, 75°C)

	KEM325UL	KEM340UL	KEM360UL	KEM380UL
Terminal Size	14-8AWG	14-8AWG	12-4AWG	4-1/0AWG
Terminal Torque	16 lb. in.	16 lb. in.	16 lb. in.	50 lb. in.
Environmental Rating	NEMA Type 4X	NEMA Type 4X	NEMA Type 4X	NEMA Type 4X
Enclosure Type Used	U2	U3	U3	U3

### Dimensions

(to convert to inches multiply by 0.03937)



Weight	KEM325UL	KEM340UL	KEM360UL	KEM380UL
	0.49kg (1.08 lb.)	0.72kg (1.587 lb.)	0.773kg (1.698 lb.)	1.021kg (2.249 lb.)

### Suitable Accessories

Auxiliary Contacts	KEM325UL	KEM340UL	KEM360UL	KEM380UL
	KU1.V, KU2.V	KU1.V, KU2.V	KU1.V, KU2.V	VKA1.V, VKA2.V

\*16A model also available, please contact Altech.

Dimensions (to convert to inches multiply by 0.03937)

Enclosed Motor Disconnect Switch



FUSED



KEM3100L  
KEM3100L Y/R  
3 (4 pole - KEM4100L Y/R)  
100A  
600V AC  
-  
54A

KEM3125L  
KEM3125L Y/R  
3 (4 pole - KEM4125L Y/R)  
125A  
600V AC  
-  
68A

KEM3150L  
KEM3150L Y/R  
3 (4 pole - KEM4150L Y/R)  
150A  
600V AC  
-  
83A

KKVM332, KKVM332CC  
KKVM332 Y/R, KKVM332CC Y/R  
3  
30A  
600V AC

1 Phase	3 Phase
3	7.5
7.5	15
7.5	15
10	20
10	20
10	20
15	30
20	40
30	50

1 Phase	3 Phase
5	10
10	20
10	20
15	25
15	25
15	30
20	40
30	50
30	60

1 Phase	3 Phase
7.5	10
10	25
10	25
15	30
20	30
20	30
25	50
30	60
40	75

Cat. No.	Fuse Type
KKVM 332 (Y/R)	10x38, Midget
KKVM 332CC (Y/R)	Class CC

10kA  
150A  
150A  
-  
200A

10kA  
150A  
150A  
-  
200A

10kA  
150A  
150A  
-  
200A

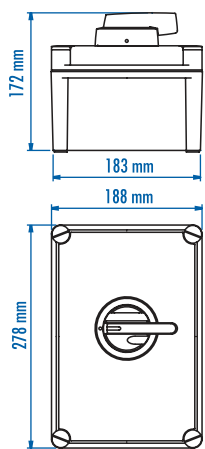
10kA  
50A  
50A  
80A  
80A

4-1/0AWG  
50 lb. in.  
NEMA Type 4X  
MF10

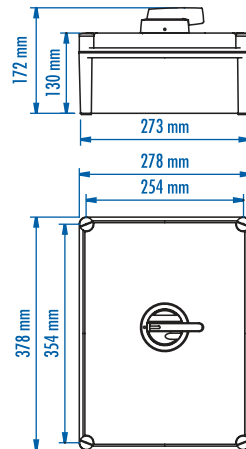
4-1/0AWG  
50 lb. in.  
NEMA Type 4X  
MF10

4-1/0AWG  
50 lb. in.  
NEMA Type 4X  
MF11UL

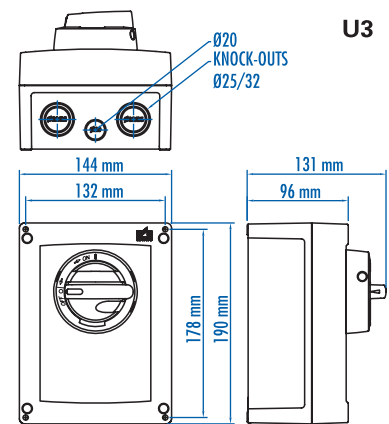
14-8AWG  
16 lb. in.  
NEMA Type 4X  
U3



MF10



MF11UL



U3

1.9051kg (4.2 lb.)

1.9051kg (4.2 lb.)

2.8351kg (6.25 lb.)

0.998kg (2.2 lb.)

VKA1.V, VKA2.V

VKA1.V, VKA2.V

VKA1.V, VKA2.V

KU1.V, KU2.V

Dimensions (to convert to inches multiply by 0.03937)

# Stainless Steel Enclosed Motor Disconnect Switch



These enclosures are ideal where chemicals are used for cleaning and maintenance such as food processing plants and breweries. Mining is another application area. Their stainless steel construction is extremely resistant to corrosion, and the enclosure is also rated to IP66.



## Catalog Number

Black Handle

Yellow/ Red Handle

No. of Poles
General Purpose Current
Maximum Voltage
Motor FLA @ 480V AC
Motor FLA @ 600V AC

KER325UL KER325ULY/R
3 (4 pole - KER425ULY/R)
25A
600V AC
17.5A
11A

KER340UL KER340ULY/R
3 (4 pole - KER440ULY/R)
40A
600V AC
28A
18A

## Horsepower Rating /HP

110-120V AC
200V AC
208V AC
220-240V AC
265V AC
277V AC
380-415V AC
440-480V AC
550-600V AC

1 Phase		3 Phase	
1	2	2	5
2	5	5	7.5
3	7.5	7.5	10
3	7.5	7.5	10
3	7.5	7.5	10
5	10	10	15
7.5	15	15	20
5	10	10	15

1 Phase		3 Phase	
2	3	3	7.5
3	7.5	7.5	10
5	10	10	15
5	10	10	15
5	10	10	15
7.5	15	15	20
10	20	20	25
7.5	15	15	20

## Short Circuit Withstand Rating at 600 V with Max. Fuse Size/Class:

K5
RK5
RK1
J

10kA
50A
50A
80A
80A

10kA
50A
50A
80A
80A

## Terminal Size Acceptability

(Cu Conductors only, 75°C)

Terminal Torque
Environmental Rating
Enclosure Type Used

14-8AWG

14-8AWG

16 lb. in.

16 lb. in.

NEMA Type 4X

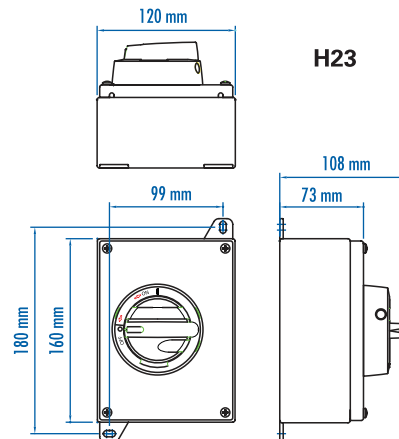
NEMA Type 4X

H23

H23

## Dimensions

(to convert to inches multiply by 0.03937)



Weight
--------

1.35kg (2.98 lb.)

1.35kg (2.98 lb.)

## Suitable Accessories

Auxiliary Contacts
--------------------

KU1.V, KU2.V

KU1.V, KU2.V

\* 16A model also available, please contact Altech.

Dimensions (to convert to inches multiply by 0.03937)



**KER360UL**  
**KER360UL Y/R**

<b>3 (4 pole - KER460UL Y/R)</b>
<b>60A</b>
<b>600V AC</b>
<b>34A</b>
<b>27A</b>

1 Phase	3 Phase
3	5
5	10
5	10
5	10
5	10
7.5	10
10	20
15	25
15	25

<b>10kA</b>
<b>60A</b>
<b>60A (80A @ 480V AC)</b>
<b>100A</b>
<b>100A</b>

**12-4AWG**

<b>16 lb. in.</b>
<b>NEMA Type 4X</b>
<b>H32</b>

**KER380UL**  
**KER380UL Y/R**

<b>3 (4 pole - KER480UL Y/R)</b>
<b>80A</b>
<b>600V AC</b>
<b>-</b>
<b>47A</b>

1 Phase	3 Phase
3	7.5
7.5	10
7.5	15
7.5	15
10	20
10	20
15	25
20	30
25	40

<b>10kA</b>
<b>150A</b>
<b>150A</b>
<b>-</b>
<b>200A</b>

**4-1/0AWG**

<b>50 lb. in.</b>
<b>NEMA Type 4X</b>
<b>H32</b>

**KER3100UL**  
**KER3100UL Y/R**

<b>3 (4 pole - KER4100UL Y/R)</b>
<b>100A</b>
<b>600V AC</b>
<b>-</b>
<b>54A</b>

1 Phase	3 Phase
3	7.5
7.5	15
7.5	15
10	20
10	20
10	20
15	30
20	40
30	50

<b>10kA</b>
<b>150A</b>
<b>150A</b>
<b>-</b>
<b>200A</b>

**4-1/0AWG**

<b>50 lb. in.</b>
<b>NEMA Type 4X</b>
<b>H32</b>

**KER3125UL**  
**KER3125UL Y/R**

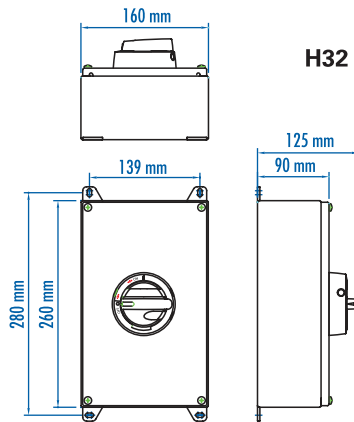
<b>3 (4 pole - KER4125UL Y/R)</b>
<b>125A</b>
<b>600V AC</b>
<b>-</b>
<b>68A</b>

1 Phase	3 Phase
5	10
10	20
10	20
15	25
15	25
15	30
20	40
30	50
30	60

<b>10kA</b>
<b>150A</b>
<b>150A</b>
<b>-</b>
<b>200A</b>

**4-1/0AWG**

<b>50 lb. in.</b>
<b>NEMA Type 4X</b>
<b>H32</b>



**2.66kg (5.87 lb.)**

**2.66kg (5.87 lb.)**

**2.66kg (5.87 lb.)**

**2.66kg (5.87 lb.)**

**KU1.V, KU2.V**

**VKA1.V, VKA2.V**

**VKA1.V, VKA2.V**

**VKA1.V, VKA2.V**

**Dimensions** (to convert to inches multiply by 0.03937)