

LED Beacon 801 / Accessories
Surface housing 2-fold GY



Part No.: 975.815.07

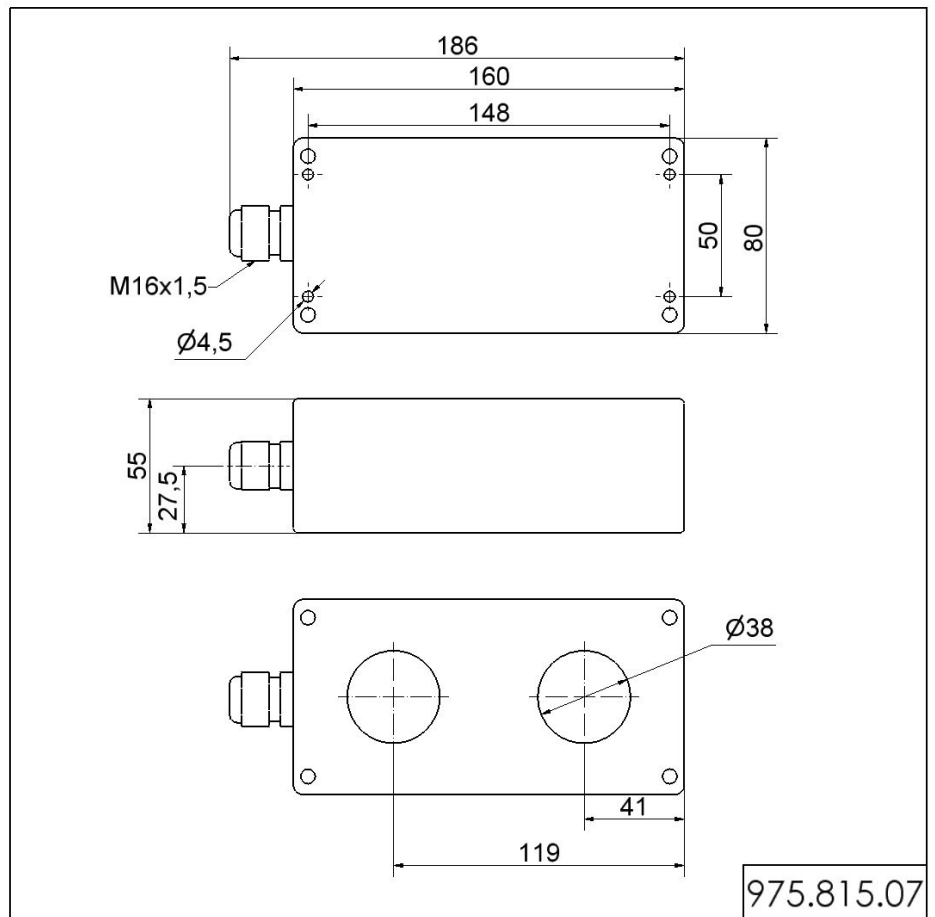
MECHANICAL DATA

Length	186 mm
Width	80 mm
Height	55 mm
Materials	ABS
Housing colour	Grey
Protection category	IP65
Weight with packaging	207 g
Product weight	207 g

ELECTRICAL DATA

Operating voltage type	AC
------------------------	----

DRAWING



! For additional installation and mounting information, refer to the appropriate user guide at www.werma.com. This printed copy is for information only and is subject to alteration.