

Installation / LED/Buzzer 150 Siren BWM 8 tne 12VDC



Part No.: 153.000.54



MECHANICAL DATA

| | |
|------------------------------|--------------------------------|
| Length | 85 mm |
| Width | 85 mm |
| Height | 72 mm |
| Materials | PC PP-GF |
| Housing colour | Black |
| Protection category | IP66 |
| Connection | Screw terminals |
| cross-sectional area maximum | 1,50mm ² / 16AWG |
| Cable entry | Membrane grommet |
| Cable entry minimum | d = 1 mm |
| Cable entry maximum | d = 8 mm |
| Type of fixing | Base mounting Wall mounting |
| Working temperature minimum | -25°C |
| Working temperature maximum | +50°C |
| Weight with packaging | 177 g |
| Product weight | 147 g |

ELECTRICAL DATA

| | |
|-----------------------------|--------------------|
| Operating voltage | 12V |
| Operating voltage type | DC |
| Operating voltage tolerance | +/- 10% |
| Rated operational voltage | 12 VDC |
| Rated operational current | 70 mA |
| Rated inrush current | 1.250 mA |
| Protection class | Protection class 2 |
| Pollution degree | 3 |

ACUSTICAL DATA

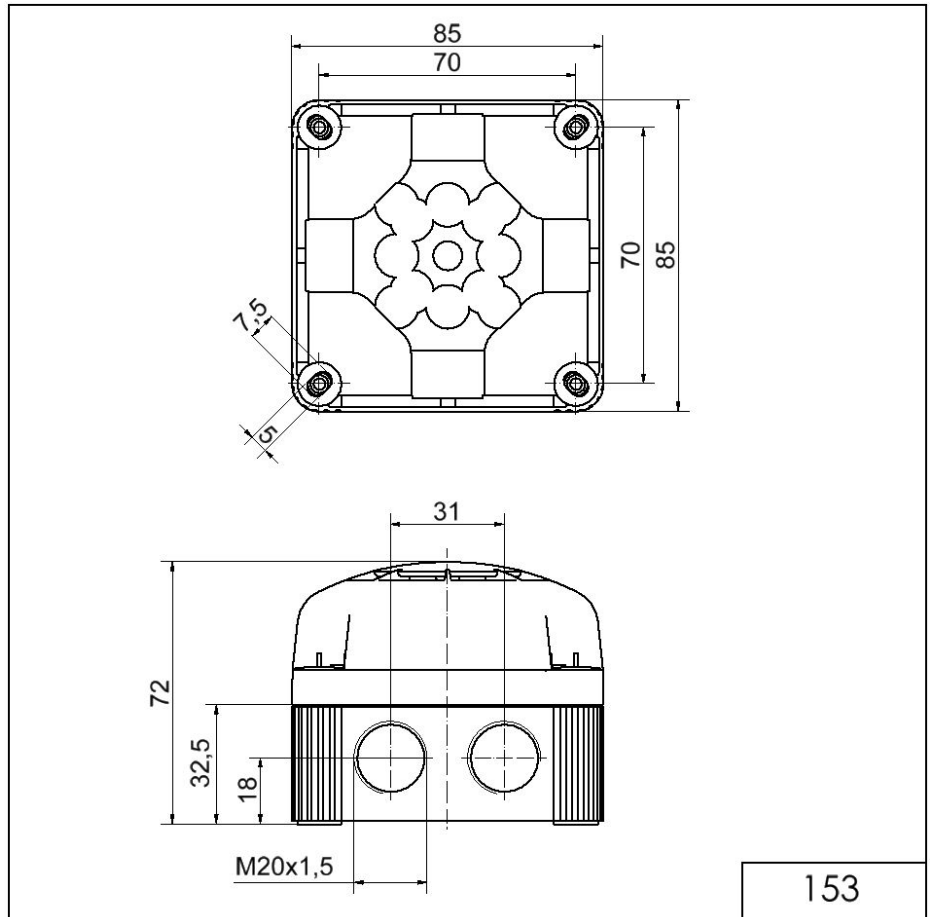
| | |
|-------------------------------|-----------------|
| Volume/dB(max) at 1m distance | 100,0 dB (A) |
| Number of tones | 8 tone |
| Acoustic service life | 5,000 h minimum |



For additional installation and mounting information, refer to the appropriate user guide at www.werma.com. This printed copy is for information only and is subject to alteration.

Installation / LED/Buzzer 150
Siren BWM 8 tne 12VDC

DRAWING



! For additional installation and mounting information, refer to the appropriate user guide at www.werma.com. This printed copy is for information only and is subject to alteration.