

MaxGain® 200

HIGH PERFORMANCE MICROWAVE COAXIAL CABLE

MaxGain® Assemblies are high-performance, ultra-low-loss microwave coaxial cables. Built with our unique spiral outer conductor technology, this light-weight cable is a reliable, high frequency interconnect solution.

MaxGain® Cable

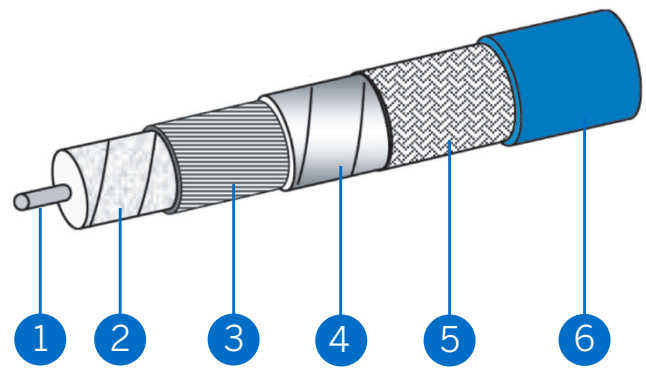
Diameter	0.197"
Minimum Bend Radius	1.25" (Centerline)
Operating Temperature	-55°C to + 150°C
Weight	37.0 lbs/1000ft
Attenuation at 18.0 GHz	0.35 dB/ft
Attenuation at 28.5 GHz	0.45 dB/ft

Electrical Properties

Maximum Frequency	31 GHz
Impedance	50 ohms
Capacitance	25.4 pf/ft
Velocity of Propagation	80%
Delay	1.27 ns/ft
Shielding	-90 dB minimum

FEATURES

- Optimized for lowest attenuation at 30 GHz
- Ultra-stable insertion loss, phase and VSWR with flexing
- Fire retardant FEP jacket
- Flexible, low minimum bend radius
- Superior shielding effectiveness (>90 dB)



- | | | |
|---|-------------------------|----------------------------|
| 1 | Center Conductor | Silver Plated Copper |
| 2 | Dielectric | Microporus PTFE |
| 3 | Shield | Silver Plated Copper |
| 4 | Interlayer | Metalized Tape |
| 5 | Outer Braid | Silver Plated Copper Braid |
| 6 | Jacket | Blue FEP |

MaxGain® 200

HIGH PERFORMANCE MICROWAVE COAXIAL CABLE



Heritage—in the air and on the ground, hundreds of thousands of assemblies built over decades



Global manufacturing capability: US, Mexico & China



Assembled and tested MaxGain assemblies provide assured performance.

Ordering Guide

MG 200-KM KF-01.0-M

Interface

KM K Male
KF K Female
SM SMA Male
SF SMA Female

Length

Units of Measure

M Meters
F Feet

WORLD HEADQUARTERS
358 Hall Avenue, Wallingford, CT 06492
1-800-867-2629

TR
TIMES
MICROWAVE SYSTEMS
AN AMPHENOL COMPANY