

# SR23



## HIGH EFFICIENCY FORK SENSOR FOR BOOKLET AND MULTILAYER LABELS DETECTION

- Multilayer labels detection
- Up to 0,5 mm of minimum size labels/gap
- 5 mm slot width
- 50 mm slot depth
- Dynamic or static setting through single push-button
- 12 kHz switching frequency
- Compact and robust housing, IP65
- M8 connector or 2 m cable models
- PNP or NPN models



### APPLICATIONS

- Processing and Packaging machinery
- Automatic labelers

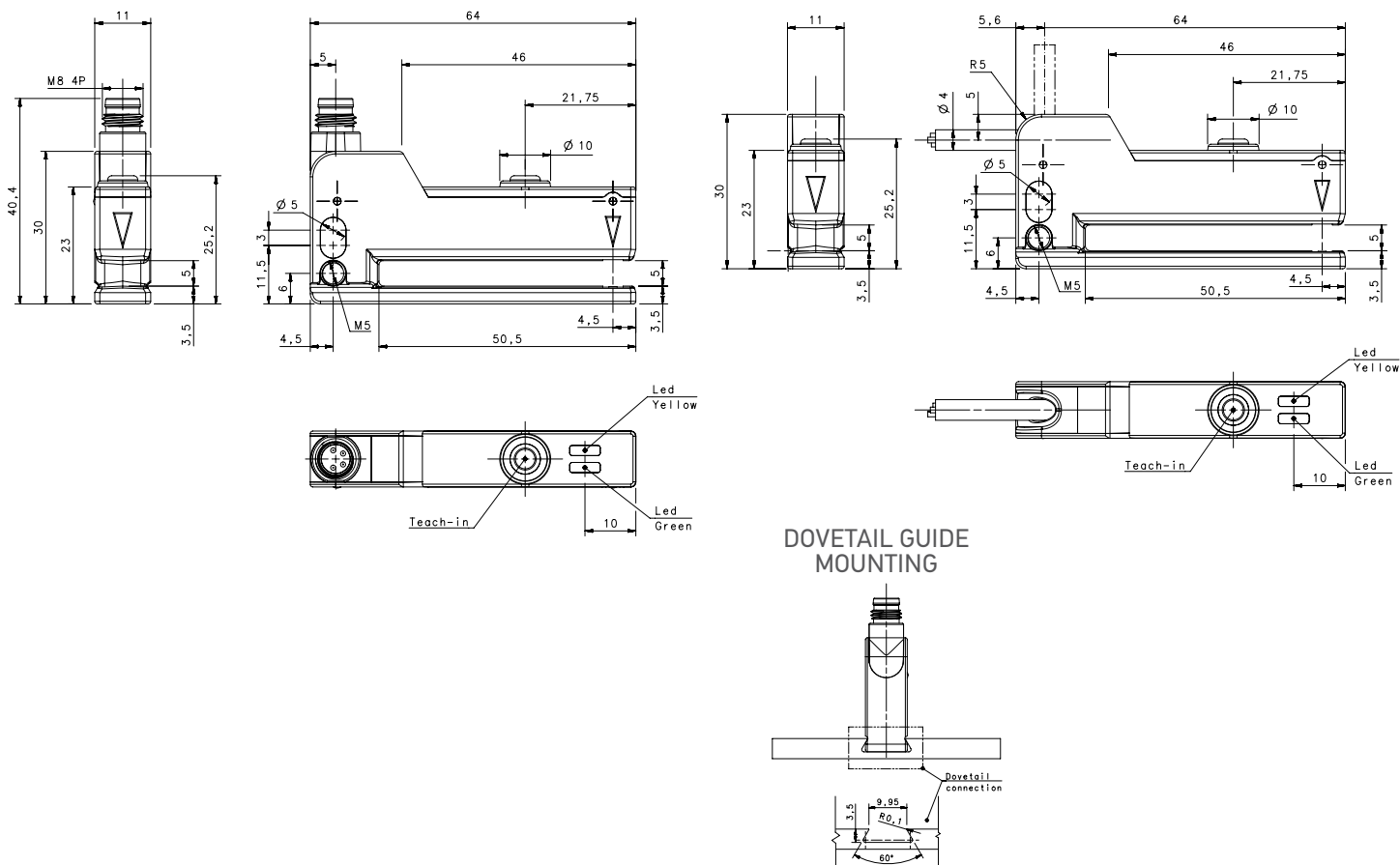
### SR23

<b>Slot width</b>		5 mm
<b>Slot depth</b>		50 mm
<b>Switching frequency</b>		12 kHz
<b>Light emission</b>		IR LED
<b>Setting</b>		push button
<b>Power supply</b>	Vdc	10...30 Vdc
	Vac	
	Vac/dc	
<b>Output</b>	PNP	•
	NPN	•
	NPN/PNP	
	relay	
	other	
<b>Connection</b>	cable	•
	connector	•
	pig-tail	
<b>Approximate dimensions (mm)</b>		30x63x10
<b>Housing material</b>		Aluminum (Zama), Plastic (PBT)
<b>Mechanical protection</b>		IP65

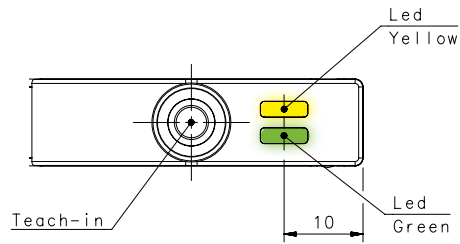
# TECHNICAL DATA

<b>Power supply</b>	10 ... 30 Vdc (reverse polarity protection)
<b>Ripple</b>	2 Vpp max.
<b>Consumption (output current excluded)</b>	30 mA max.
<b>Light emission</b>	IR LED 850 nm
<b>Setting</b>	SET push-button
<b>Indicators</b>	yellow OUTPUT LED green READY LED
<b>Output</b>	PNP or NPN
<b>Output current</b>	100 mA max.
<b>Saturation voltage</b>	2 V max.
<b>Slot width</b>	5 mm
<b>Slot depth</b>	50 mm
<b>Minimum label width</b>	0,5...2 mm
<b>Minimum space between labels</b>	0,5...2 mm
<b>Speed of the conveyor during setting procedure</b>	20 m/min (30 cm/s) max.
<b>Response time</b>	40 µs max.
<b>Switching frequency</b>	12 kHz max.
<b>Connection</b>	M8 4-pole connector, 2 m cable
<b>Dielectric strength</b>	500 Vac, 1 min between electronics and housing
<b>Insulating resistance</b>	> 20 MΩ, 500 Vdc between electronics and housing
<b>Mechanical protection</b>	IP65
<b>Ambient light rejection</b>	according to EN 60947-5-2
<b>Vibrations</b>	0,5 mm amplitude, 10 ... 55 Hz frequency, for every axis (EN60068-2-6)
<b>Shock resistance</b>	11 ms (30 G) 6 shock for every axis (EN60068-2-27)
<b>Housing material</b>	Aluminum (Zama)
<b>Cover material</b>	PBT
<b>Lens material</b>	PC
<b>Operating temperature</b>	-20 ... 55°C
<b>Storage temperature</b>	-20 ... 70°C
<b>Weight</b>	85 g cable vers., 46 g M8 conn. vers.

## DIMENSIONS

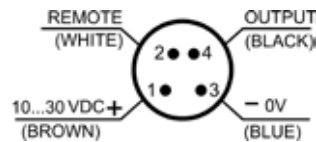


# INDICATORS AND SETTINGS

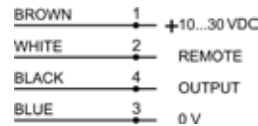


# CONNECTIONS

M8 CONNECTOR



CABLE

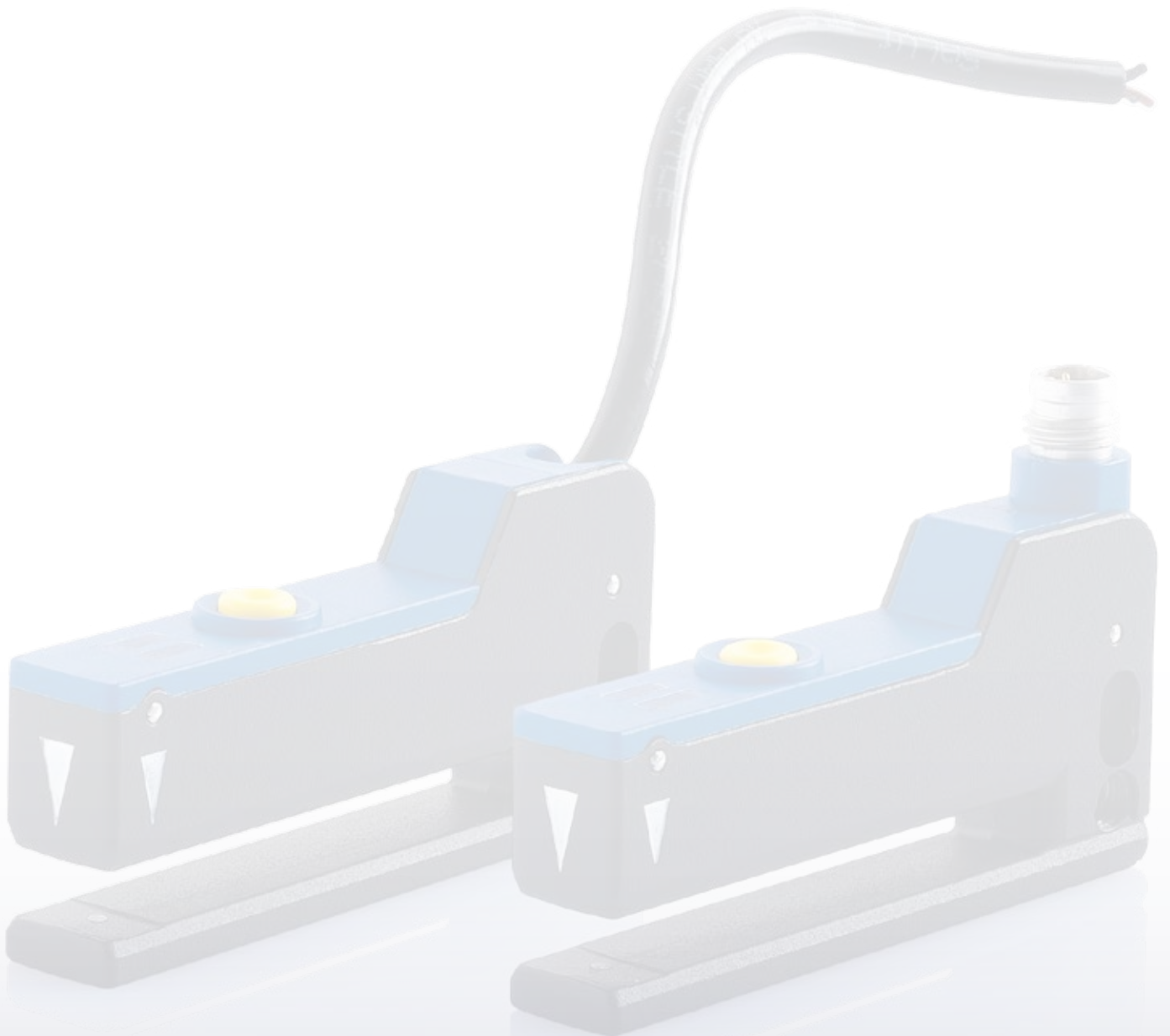


# MODEL SELECTION AND ORDER INFORMATION

OPTIC FUNCTION	CONNECTION	OUTPUT	MODEL	ORDER No.
Fork Sensor	2m Cable	PNP	SR23-2-IR-PH	953161000
		NPN	SR23-2-IR-NH	953161020
	M8 Connector	PNP	SR23-5-IR-PH	953161010
		NPN	SR23-5-IR-NH	953161030

# CABLES

TYPE	DESCRIPTION	LENGTH	MODEL	ORDER No.
Axial M8 Connector	4-pole, grey, P.V.C.	3 m	CS-B1-02-G-03	95A251420
		5 m	CS-B1-02-G-05	95A251430
		7 m	CS-B1-02-G-07	95A251440
		10 m	CS-B1-02-G-10	95A251480
	4-pole, P.U.R.	2 m	CS-B1-02-R-02	95A251620
		5 m	CS-B1-02-R-05	95A251640
Radial M8 Connector	4-pole, grey, P.V.C.	3 m	CS-B2-02-G-03	95A251450
		5 m	CS-B2-02-G-05	95A251460
		7 m	CS-B2-02-G-07	95A251470
		10 m	CS-B2-02-G-10	95A251530
	4-pole, P.U.R.	2 m	CS-B2-02-R-02	95A251630
		5 m	CS-B2-02-R-05	95A251650



Rev. 03, 04/2019