

# HD Output 1080p & 720p Direct-Connect to Monitor



## HD-Output DVI Cameras

STC-HD93DV 【720p】

STC-HD203DV 【1080p】

STC-HD93DV-B 【720p】

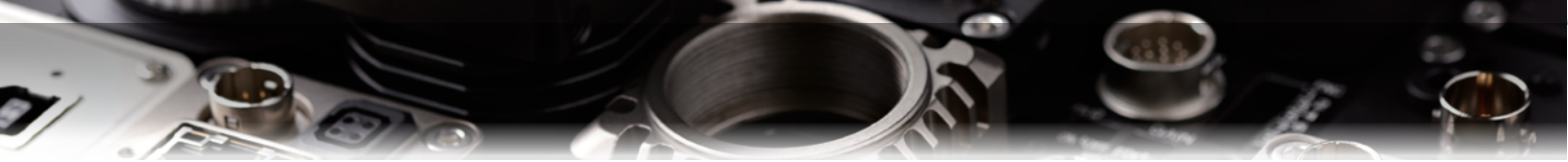
STC-HD203DV-B 【1080p】

HD Digital DVI and SDI Output cased and board level cameras are ideal for applications requiring direct-connect monitor viewing with High Definition resolution. These CCD (720p) and CMOS (1080p) based cameras outputs a true HD 1080p or 720p, 16x9 image at 60fps. It also features the capability to program 28 individual DSP profiles and has a programmable on-camera push-button for manual control.

**HD**

Cased and Board

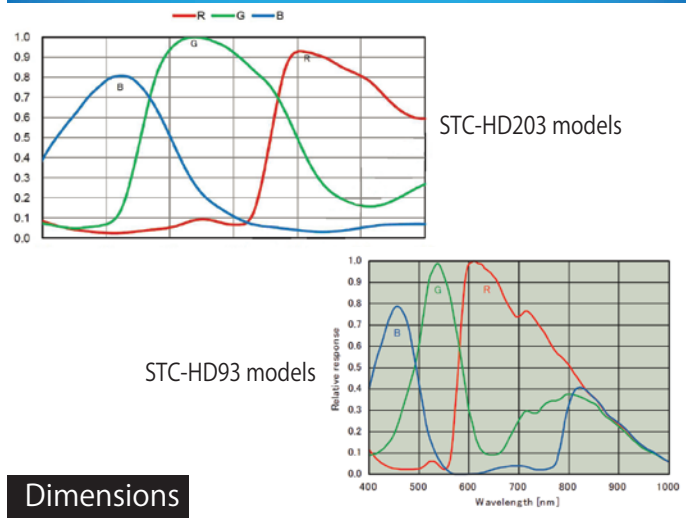
- 1080p
- 1/2.8" CMOS Sensor
- 1936 (H) x 1096 (V)
- Rolling Shutter
- 60fps
- C Mount
- 720p
- 1/3" CCD Sensor
- 1280 (H) x 720 (V)
- Global Shutter
- 60fps
- C Mount



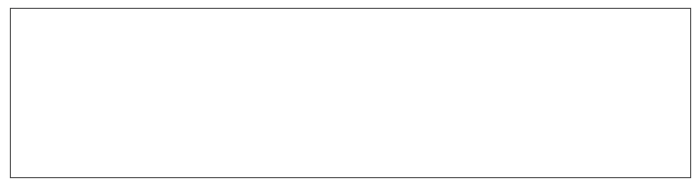
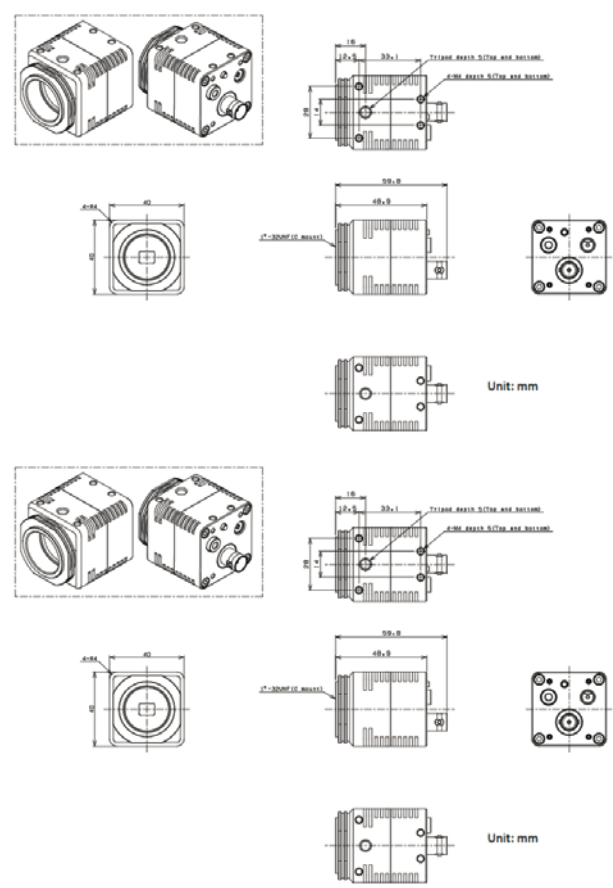
## Specifications

- Model Numbers : STC-HD203DV (Cased)  
STC-HD203DV-B (Board)  
STC-HD93DV (Cased)  
STC-HD93DV-B (Board)
- Image Sensor : 1/2.8" CMOS Sensor (Sony: IMX136)  
: 1/3" CCD Sensor (ICX692AQA)
- Shutter Type : Rolling Shutter  
Global Shutter
- Effective Pixels : 1936 (H) x 1096 (V)  
1280 (H) x 720 (V)
- Cell Size : 2.8 (H) x 2.8 (V)  $\mu\text{m}$   
4.08 (H) x 4.08 (V)  $\mu\text{m}$
- Video Output: : (HD203DV) DVI 1.0 conformity; RGB, 1080P60, 1080P59.94,  
1080P50, 1080P30, 1080P29.97, 1080P25, 720P60,  
720P59.94, 720P50 (Default: 1080P60)  
: (HD93DV) DVI 1.0 conformity RGB, 1280 (H) x 720  
(V), 59.94Hz / 60Hz / 50Hz / 29.97Hz / 30Hz / 25Hz
- ALC : (HD203DV) Extend shutter frame unit (Up to 2.55 sec) Up  
to 1/10,000 seconds  
: (HD93DV) Adjustable shutter speed via the UART  
communication, Up to 1/100,000 seconds at 60 Hz /  
59.94 Hz or up to ~ 1/83,947 seconds at 50 Hz
- Shutter Speed : (HD203DV) Can be configured via UART communication  
with auto electronic shutter and AGC  
(HD93DV) Adjustable shutter speed via the UART  
communication, Up to 1/100,000 seconds at 60 Hz / 59.94  
Hz or up to ~ 1/83,947 seconds at 50 Hz
- Communication : (HD203DV) +3.3V UART communication via 3.5  $\Phi$  stereo  
jack; (Baud rate: 38,400bps, 19,200bps, 9,600bps)  
(HD93DV) +3.3 V UART communication via 3.5  $\phi$  stereo  
jack
- Frame Rate : 60fps
- Sync System : Internal
- Video Output : DVI Output : HDMI connector, SDI Output : BNC connector
- Power Input : +9 ~ +15 Vdc (Typical: +12 Vdc)  
12V power jack
  
- External Control
  
- 3.5  $\phi$  stereo jack
  
- S/N Ration :  $\leq 4$  Digital (Gain 0 db)
- Minimum Scene : 9.0 Lux at F1.2 (Color)  
Illumination : 0.3 Lux at F1.2 (Monochrome)
- ALC : Auto Shutter / Auto Gain
- Electronic Shutter: : Free-run Mode: Exposure Time -- 32  $\mu\text{sec}$  ~ 38sec  
(in full scanning mode), Edge Preset Trigger Mode:  
Exposure Time -- 32  $\mu\text{sec}$  ~ 38sec (in full scanning mode),

## Spectral Sensivity



## Dimensions



※Specifications are subject to change without notice.