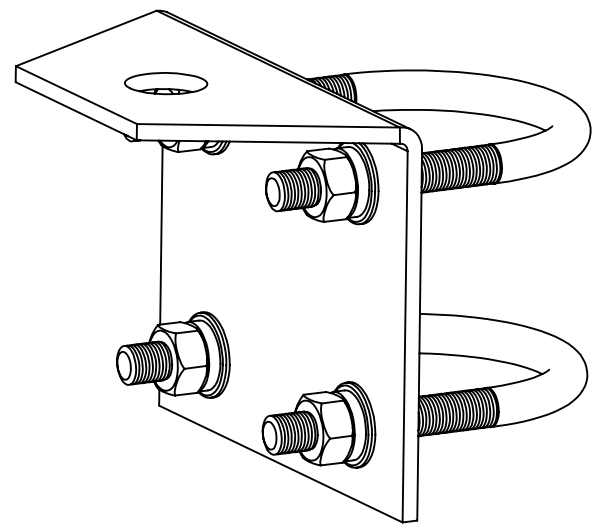
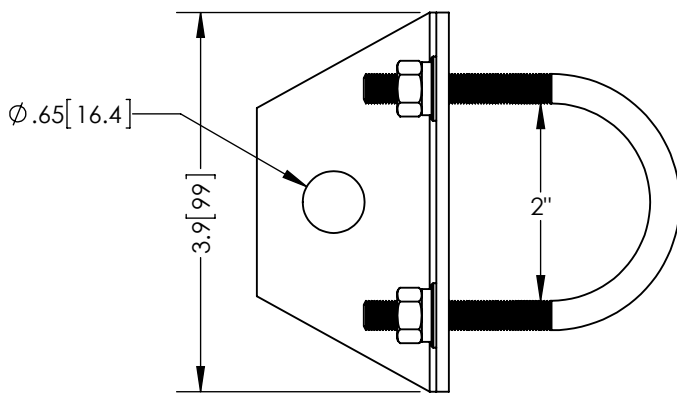
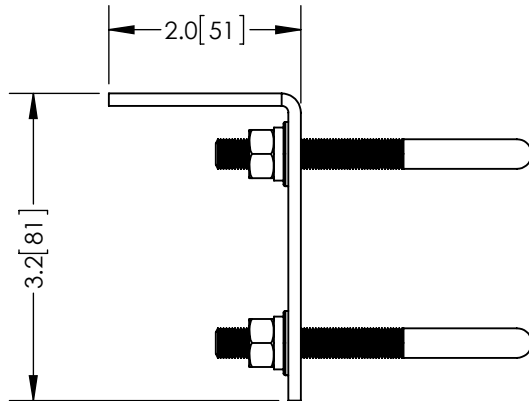


THE INFORMATION CONTAINED IN THIS DRAWING IS THE SOLE PROPERTY OF L-COM, INC. ANY REPRODUCTION IN PART OR WHOLE WITHOUT THE WRITTEN PERMISSION OF L-COM, INC. IS PROHIBITED.

REVISIONS			
REV	DESCRIPTION	DATE	APPROVED
A	INITIAL RELEASE	06/01/12	D.GRIFFIN



RoHS Compliant ✓

NOTES:
 PACKAGING: SHALL BE PACKAGED AS PER L-COM SPEC PKG-00012
 - ALL DIMENSIONS FOR REFERENCE ONLY -

UNLESS OTHERWISE SPECIFIED, DIMENSIONS ARE IN INCHES [mm] DIMENSIONAL TOLERANCES: .X = ±.1 .XX = ±.01 .XXX = ±.005 ANGULAR TOLERANCES: ALL = ± 1°	APPROVALS B.PUCHASKI	DATE 06/01/12	45 BEECHWOOD DRIVE NORTH ANDOVER, MA 01845		
	CHECKED BY P.PESA	06/01/12		CATEGORY ANTENNA	
	APPROVED BY P.PESA	06/01/12	PRODUCT DESCRIPTION OMNI ANTENNA ANGLED MAST MOUNT		
	PROJECTION 	COLOR VARIATIONS MAY OCCUR	SIZE A	FSCM NO. 43321	DWG. NO. HGX-PMT23
		SCALE: NONE	CAD FILE: HGX-PMT23.SLDDRW	SHEET 1 OF 1	