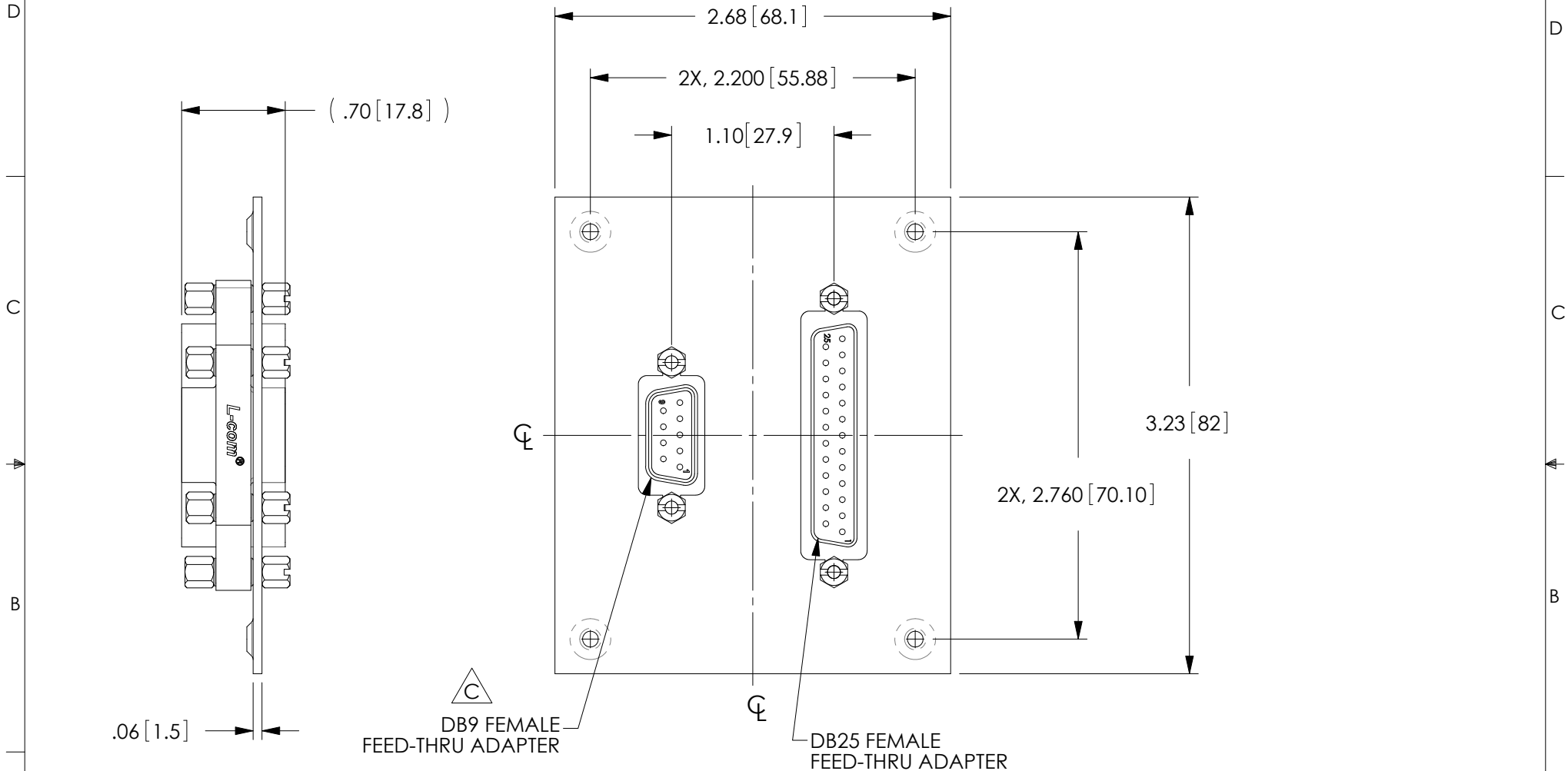


THE INFORMATION CONTAINED IN THIS DRAWING IS THE SOLE PROPERTY OF L-COM, INC. ANY REPRODUCTION IN PART OR WHOLE WITHOUT THE WRITTEN PERMISSION OF L-COM, INC. IS PROHIBITED.

REVISIONS			
REV	DESCRIPTION	DATE	APPROVED
A	INITIAL RELEASE	3/20/07	D.FRISIELLO
B	ECN5278: .70 REF DIM WAS .74	01/27/11	DFP
C	ECN 6832: REVISED SLOTTED JACK SCREWS TO BE ON THE SAME SIDE (FRONT)	5/7/13	D.FRISIELLO



**C**  
DB9 FEMALE  
FEED-THRU ADAPTER

DB25 FEMALE  
FEED-THRU ADAPTER

**NOTES:**

1. PANEL MATERIAL: .06 [1.5] THK COLD ROLLED STEEL.
2. PANEL FINISH: FLAT BLACK POWDER COAT.
3. KIT CONTAINS 4, #6-32 UNC SCREWS.

UNLESS OTHERWISE SPECIFIED, DIMENSIONS ARE IN INCHES [mm] OVERALL CABLE LENGTH TOLERANCE: ≤12 [305] = +1 [25] / -0 >12 [305] ≤60 [1524] = +2 [51] / -0 >60 [1524] ≤120 [3048] = +4 [102] / -0 >120 [3048] ≤300 [7620] = +6 [152] / -0 >300 [7620] = +3% / -0% ALL OTHER DIMENSIONAL TOLERANCES: .X = ± .2 .XX = ± .02 .XXX = ± .005	APPROVALS DRAWN BY D.FRISIELLO CHECKED BY P.McNEIL APPROVED BY J.ROBERTS	DATE 3/20/07 3/20/07 3/20/07	45 BEECHWOOD DRIVE NORTH ANDOVER, MA 01845	
	CONFIGURATION DETAILS OF UNDIMENSIONED FEATURES MAY VARY			CATEGORY USP SUB PANELS
	PROJECTION 	COLOR VARIATIONS MAY OCCUR	SIZE <b>A</b>	FSCM NO. <b>43321</b>
	PRODUCT DESCRIPTION USP SUB-PNL W/ DB9+25 F-F		DWG. NO. USP-DB9-25FB	REV. <b>C</b>
SCALE: NONE		CAD FILE: USP-DB9-25FB.SLDDRW	SHEET 1 OF 1	