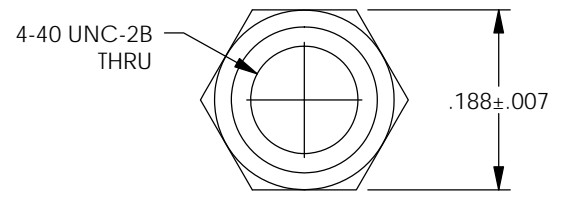


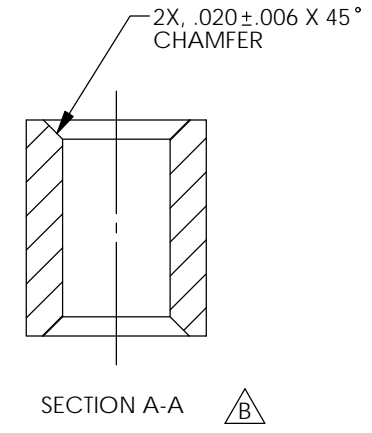
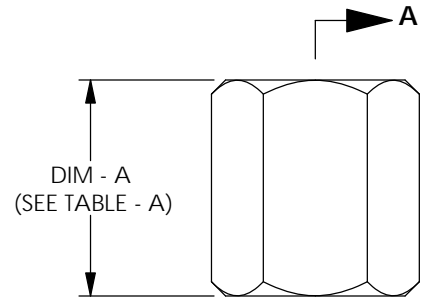
THE INFORMATION CONTAINED IN THIS DRAWING IS THE SOLE PROPERTY OF L-COM, INC. ANY REPRODUCTION IN PART OR WHOLE WITHOUT THE WRITTEN PERMISSION OF L-COM, INC. IS PROHIBITED.

RoHS Compliant ✓

REVISIONS			
REV	DESCRIPTION	DATE	APPROVED
A	APPROVED FOR PRODUCTION BY: S.SMITH	02/20/04	B.MAZEJKA
A	ECN 99999: ADDED ROHS STAMP AND NEW FORMAT	12/14/09	D.FRISIELLO
B	ECN 6707: ADDED SECTION A-A, .02 X 45 CHAMFER	2/27/13	D.FRISIELLO



P/N	DIM - A	TOLERANCE
SDH	.232	±.007
SDHS	.195	±.007
SDH-160	.160	±.007



NOTES:

- MATERIAL: BRASS
- FINISH: NICKEL PLATED
- SEAL 50 HEX STANDOFFS INTO AN L-COM LOGO BAG IN ACCORDANCE WITH L-COM SPECIFICATION PS-0031.

UNLESS OTHERWISE SPECIFIED, DIMENSIONS ARE IN INCHES [mm]  DIMENSIONAL TOLERANCES: .X = ±.1 .XX = ±.01 .XXX = ±.005  ANGULAR TOLERANCES: ALL = ± 1°	APPROVALS	DATE		45 BEECHWOOD DRIVE NORTH ANDOVER, MA 01845	
	DRAWN BY B.MAZEJKA	02/17/2004			
	CHECKED BY D.PARHAM	02/18/2004	CATEGORY HARDWARE		
	APPROVED BY R.CARRICK	02/18/2004	PRODUCT DESCRIPTION SDH 4-40 HEX STANDOFF		
PROJECTION 	COLOR VARIATIONS MAY OCCUR	SIZE <b>A</b>	FSCM NO. <b>43321</b>	DWG. NO. SDH	REV. <b>B</b>
		SCALE: NONE	CAD FILE: SDH.SLDDRW		SHEET 1 OF 1