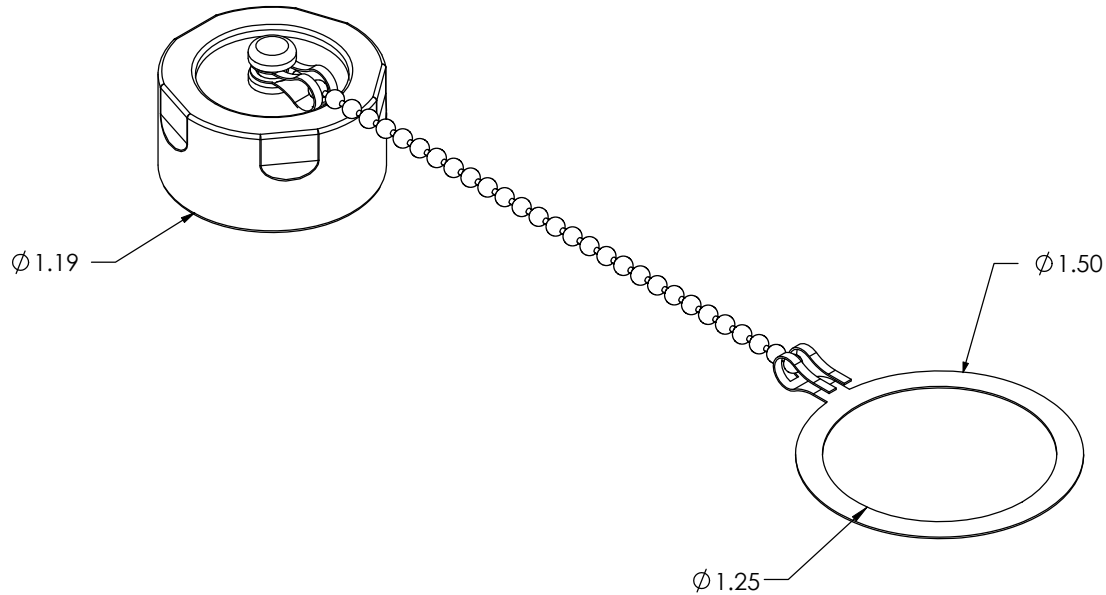


THE INFORMATION CONTAINED IN THIS DRAWING IS THE SOLE PROPERTY OF L-COM, INC. ANY REPRODUCTION IN PART OR WHOLE WITHOUT THE WRITTEN PERMISSION OF L-COM, INC. IS PROHIBITED.

REVISIONS			
REV	DESCRIPTION	DATE	APPROVED
A	INITIAL RELEASE	07/24/06	MCCORMICK
B	ECN 5704: REMOVE WASHER, REVISE ALL NOTES, NEW FORMAT	9/8/11	D.FRISIELLO



NOTES:

MATERIAL:  
 CAP: GLASS FILLED PBT  
 CHAIN AND RING: STAINLESS STEEL.

CHAIN LENGTH: APPROX. 6"

ALL DIMENSIONS ARE FOR REFERENCE ONLY.

COMPONENT ASSEMBLY SHALL BE INDIVIDUALLY PACKAGED  
 IN ACCORDANCE WITH L-COM SPECIFICATION PS-0031.



UNLESS OTHERWISE SPECIFIED, DIMENSIONS ARE IN INCHES [mm] OVERALL CABLE LENGTH TOLERANCE: ≤12 [305] = +1 [25] / -0 >12 [305] ≤60 [1524] = +2 [51] / -0 >60 [1524] ≤120 [3048] = +4 [102] / -0 >120 [3048] ≤300 [7620] = +6 [152] / -0 >300 [7620] = +3% / -0% ALL OTHER DIMENSIONAL TOLERANCES: .X = ± .2 .XX = ± .02 .XXX = ± .005	APPROVALS DRAWN BY C.MCCORMICK	DATE 07/24/2006		45 BEECHWOOD DRIVE NORTH ANDOVER, MA 01845
	CHECKED BY D.PARHAM APPROVED BY P.MCNIEL	DATE 07/24/2006		CATEGORY FIBER OPTICS
PROJECTION 	CONFIGURATION DETAILS OF UNDIMENSIONED FEATURES MAY VARY	PRODUCT DESCRIPTION IP67 IND OUTLET CAP w/CHAIN	SCALE: NONE	CAD FILE: X-CAP.SLDDRW
COLOR VARIATIONS MAY OCCUR	SIZE <b>A</b>	FSCM NO. <b>43321</b>	DWG. NO. <b>X-CAP</b>	REV. <b>B</b>
			SHEET 1 OF 1	