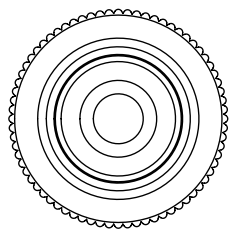
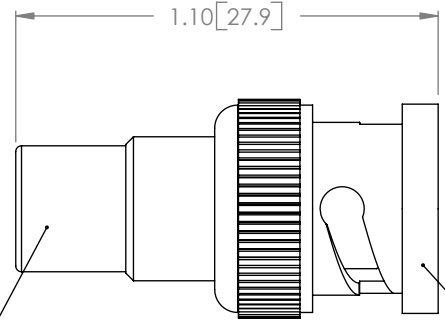


THE INFORMATION CONTAINED IN THIS DRAWING IS THE SOLE PROPERTY OF L-COM, INC. ANY REPRODUCTION IN PART OR WHOLE WITHOUT THE WRITTEN PERMISSION OF L-COM, INC. IS PROHIBITED.

REVISIONS			
REV	DESCRIPTION	DATE	CHANGED BY
A	RELEASED FOR PRODUCTION	11/02/01	MCCORMICK
B	PRODUCT VALIDATION UPDATES (ECN 1204)	12/16/02	MCCORMICK
C	ECN 3112: UPDATE DWG FORMAT	12/13/07	D.GRIFFIN

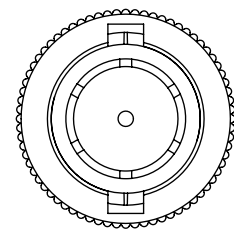


PHONE RCA JACK



1.10 [27.9]

BNC PLUG

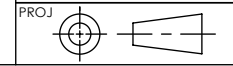


NOTE:

MATERIAL:
 NICKEL PLATED BRASS
 GOLD PLATED CENTER CONTACTS
 IMPEDANCE: 75 OHMS

RoHS Compliant ✓

UNLESS OTHERWISE SPECIFIED,
 DIMENSIONS ARE IN INCHES [mm]
 TOLERANCES TO BE:
 .X ±.1 [2.5] ANGLES ±2°
 .XX ±.01 [.25]
 .XXX ±.005 [.13]
 OVERALL CABLE LENGTH TOL:
 ≤ 60 [1524] +3 [76.2] / -0
 > 60 [1524] +5% / -0%



APPROVALS	DATE
DRAWN BY MCCORMICK	11/01/01
CHECKED BY ENG	11/01/01
APPROVED BY R.CARRICK	11/01/01

CONFIGURATION DETAILS OF
 UNDIMENSIONED FEATURES
 MAY VARY

L-com
 CONNECTIVITY PRODUCTS
 45 BEECHWOOD DRIVE
 NORTH ANDOVER, MA
 01845

CATEGORY
COAXIAL

PRODUCT DESCRIPTION
BNC PLUG TO RCA JACK

SIZE	FSCM NO.	DWG. NO.	REV.
A	43321	BA018	C

SCALE: NONE | CAD FILE: BA018.SLDDRW | SHEET 1 OF 1