

THE INFORMATION CONTAINED IN THIS DRAWING IS THE SOLE PROPERTY OF L-COM, INC. ANY REPRODUCTION IN PART OR WHOLE WITHOUT THE WRITTEN PERMISSION OF L-COM, INC. IS PROHIBITED.

REVISIONS			
REV	DESCRIPTION	DATE	APPROVED
A	INITIAL RELEASE	11/9/11	D.GRIFFIN
B	ECN 5837: ADDED LOGO	11/16/11	D. CASTRO
C	ECN8182: UPT DWG FROM MOLDED THUMBSCREW TO METAL THUMBSCREW	11/30/2015	B.ZHANG

2X 4-40 UNC-2A METAL THUMBSCREW

MOLDED PVC HOOD, COLOR: BLACK

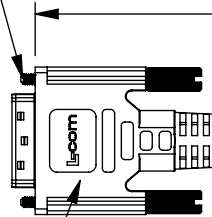
**REGULATORY COMPLIANCE:**  
CE2011/65/EU (RoHS DIRECTIVE)

"P1"

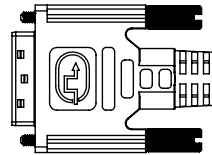
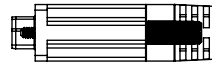


2X MALE DVI-D DUAL LINK CONNECTOR

PIN 1



LENGTH



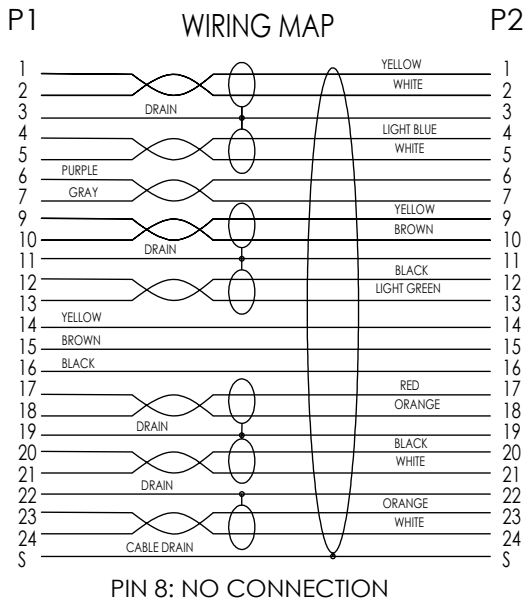
UL STYLE 20276,  
(7) SHIELDED TWISTED PAIR, 28AWG, STRANDED TINNED COPPER,  
(1) UNSHIELDED TWISTED PAIR, 28AWG, STRANDED TINNED COPPER,  
(3) CONDUCTORS, 28AWG, STRANDED TINNED COPPER,  
SHIELDING (BRAIDED): 36AWG TINNED COPPER  
SHIELDING: ALUMINUM/POLYESTER  
OUTER JACKET: PVC; BLACK

PIN 1

MOLDED PVC HOOD, COLOR: BLACK

2X 4-40 UNC-2A THUMBSCREW

"P2"



**NOTES:**

1. CABLE ASSEMBLY SHALL BE TESTED FOR CONTINUITY.
2. CABLE ASSEMBLY SHALL BE INDIVIDUALLY PACKAGED IN ACCORDANCE WITH L-COM SPECIFICATION PS-0031.
3. DUST COVERS INSTALLED FOR SHIPPING (NOT SHOWN).

**REGULATORY COMPLIANCE:**  
CE2011/65/EU (RoHS DIRECTIVE)

MODEL NUMBER	LENGTH	
	FEET	METERS
DVIDD-RA3-1	1.0	0.3
DVIDD-RA3-3	3.0	[0.91]
DVIDD-RA3-5	5.0	[1.52]
DVIDD-RA3-10	10.0	[3.05]
DVIDD-RA3-15	15.0	[4.57]

UNLESS OTHERWISE SPECIFIED, DIMENSIONS ARE IN INCHES [mm]  OVERALL CABLE LENGTH TOLERANCE: $\leq 12$ [305] = +1 [25] / -0 $> 12$ [305] $\leq 60$ [1524] = +2 [51] / -0 $> 60$ [1524] $\leq 120$ [3048] = +4 [102] / -0 $> 120$ [3048] $\leq 300$ [7620] = +6 [152] / -0 $> 300$ [7620] = +5% / -0%  ALL OTHER DIMENSIONAL TOLERANCES: .X = ±.2 [5.08] .XX = ±.02 [51] .XXX = ±.005 [13]	APPROVALS DRAWN BY D. PARHAM CHECKED BY D. CASTRO APPROVED BY P. McNEIL	DATE 10/26/2011  11/07/2011  11/08/2011	45 BEECHWOOD DRIVE NORTH ANDOVER, MA 01845	
	PROJECTION 	CONFIGURATION DETAILS OF UNDIMENSIONED FEATURES MAY VARY  COLOR VARIATIONS MAY OCCUR		CATEGORY <b>AUDIO/VIDEO</b>  PRODUCT DESCRIPTION <b>CA-DVI DL M/M RA LFT EXIT</b>
SCALE: NONE		FSCM NO. <b>A 43321</b>	DWG. NO. <b>DVIDD-RA3</b>	REV. <b>C</b>
CAD FILE: DVIDD-RA3.SLDDRW		SHEET 1 OF 1		