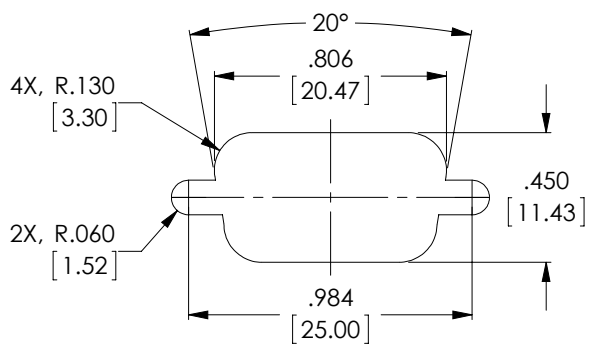


THE INFORMATION CONTAINED IN THIS DRAWING IS THE SOLE PROPERTY OF L-COM, INC. ANY REPRODUCTION IN PART OR WHOLE WITHOUT THE WRITTEN PERMISSION OF L-COM, INC. IS PROHIBITED.

RoHS Compliant ✓

REVISIONS			
REV	DESCRIPTION	DATE	APPROVED
A	INITIAL RELEASE	11/15/12	D.GRIFFIN



RECOMMENDED PANEL OPENING

NOTE: SDG450XS JACKSCREWS AND SDHS HEX NUTS ARE REQUIRED FOR PANEL MOUNTING
***PANEL THICKNESS MUST NOT EXCEED .062 [1.57]**

NOTES:

MATERIAL:

SHELL: STEEL
 CONTACTS: COPPER ALLOY
 INSULATOR: PBT FIBER REINFORCED (UL94V-0 RATED)

FINISH:

SHELL: TIN/NICKEL PLATED
 CONTACTS: GOLD FLASH PLATED, 1-5μ INCHES

ELECTRICAL:

CURRENT RATING: 3 AMP
 INSULATION RESISTANCE: 1000 MΩ MIN @500 VDC
 DIELECTRIC WITHSTANDING VOLTAGE: 1000 VAC (FOR ONE MINUTE)

MISCELLANEOUS:

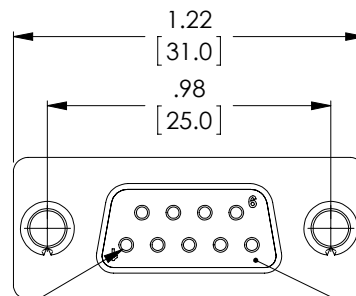
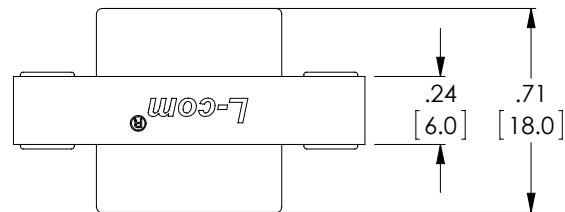
OPERATING TEMPERATURE RANGE: -55°C TO +105°C.
 ALL CONTACTS WIRED STRAIGHT THROUGH.
 COMPONENT SHALL BE TESTED FOR CONTINUITY.
 ALL DIMENSIONS ARE FOR REFERENCE ONLY.

LABELING:

PANTONE 2945 BLUE. "L-COM" FONT MyriaMM ITALIC.
 "GENDER CHANGER" FONT ARIAL BOLD, TEXT HEIGHTS; .085"
 TEXT COLOR; WHITE.

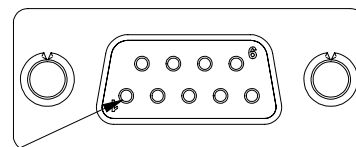
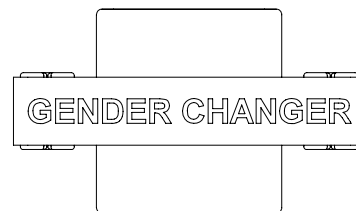
PACKAGING:

COMPONENT SHALL BE INDIVIDUALLY PACKAGED IN ACCORDANCE WITH L-COM SPECIFICATION PS-0031.



PIN 1

2X, 9 PIN FEMALE D-SUB CONNECTOR



PIN 1

UNLESS OTHERWISE SPECIFIED, DIMENSIONS ARE IN INCHES [mm] OVERALL CABLE LENGTH TOLERANCE: ≤12 [305] = +1 [25] / -0 >12 [305] ≤60 [1524] = +2 [51] / -0 >60 [1524] ≤120 [3048] = +4 [102] / -0 >120 [3048] ≤300 [7620] = +6 [152] / -0 >300 [7620] = +3% / -0%	APPROVALS	DATE		45 BEECHWOOD DRIVE NORTH ANDOVER, MA 01845		
	DRAWN BY D. DESJARDIN	11/2/12				
ALL OTHER DIMENSIONAL TOLERANCES: .X = ±.2 .XX = ±.02 .XXX = ±.005	CHECKED BY D. PARHAM	11/5/12	CATEGORY D-SUBMINIATURE			
	APPROVED BY S. SMITH	11/15/12	PRODUCT DESCRIPTION ADPT, GNDR CHGR DB9 SLIM F/F NO HARDWARE			
PROJECTION 	CONFIGURATION DETAILS OF UNDIMENSIONED FEATURES MAY VARY	COLOR VARIATIONS MAY OCCUR	SIZE A	FSCM NO. 43321	DWG. NO. GCP9F	REV. A
SCALE: NONE			CAD FILE: GCP9F.SLDDRW		SHEET 1 OF 1	