

APPROVED SOURCE FOR CABLE

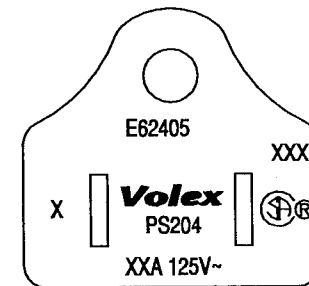
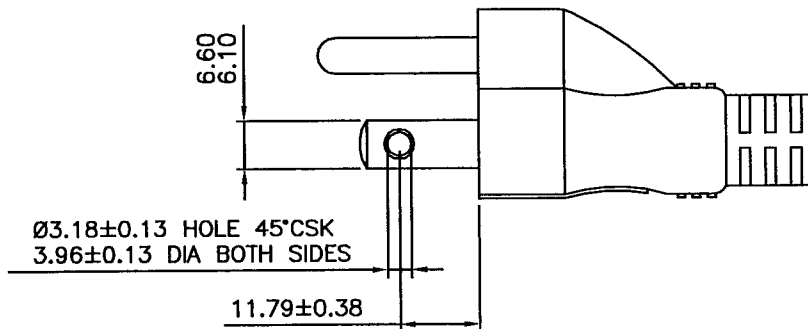
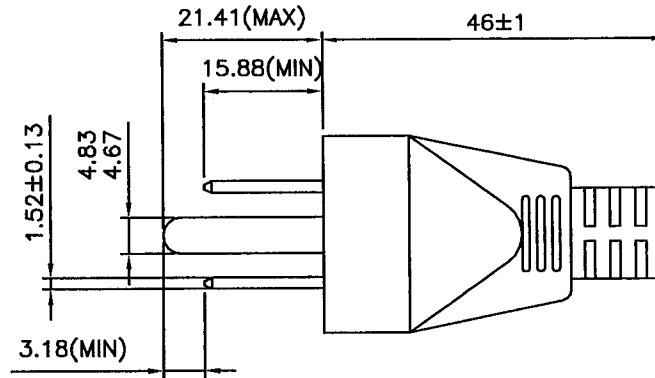
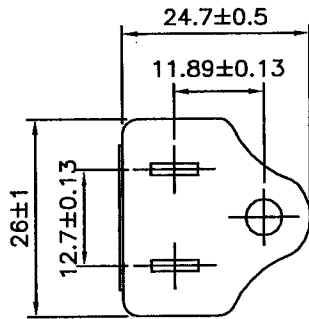
1. BAO HING(SHENZHEN).
2. TA HSING(SHENZHEN).

NOTE :

1. ALL DIMENSIONS IN mm.
2. THE CORD SHALL COMPLY WITH NMX-J-436-ANCE+CSA C22.2 NO.49+UL62.
3. THE MOLDED PLUG SHALL COMPLY WITH UL498, UL817 AND CSA C22.2 NO.21-95.
4. THE MOLDED CONNECTOR SHALL COMPLY WITH UL817, CSA C22.2 NO. 21-95 AND C22.2 NO. 182.3-M1987.
5. LABEL DETAILS : REFER TO LABEL DRAWING NO. : VL-T265.
6. THIS PART CAN BE MANUFACTURED AT ANY LOCATION WHICH HAS SAFETY APPROVAL.

6	BAG LDPE 283X114X0.05 PRT (04)	904028	1
5	PRINTED LABEL	VL-T265	1
4	6" PE TIE BLK	6310056	1
3	IP60G NL7976B BLK	4100115	-
	MOLDED CONNECTOR V1625 (10A 125V)	V1625	1
2	IP40G NL792B BLK	4100017	-
	MOULDED PLUG PS204 (10A 125V)	PS204	1
1	SJT 18/3 60°C BWG BLK PVC LEAD FREE	1910107	1
S/N	DESCRIPTION	ITEM NUMBER	QTY
TITLE : NORTH-AMERICAN POWER SUPPLY CORDSET (PB FR)		SCALE : N.T.S.	
CUSTOMER : VPE/RS COMPONENTS		PAGE : 1/1	
CUSTOMER PART NUMBER : 7316163		ISSUE	
Reference Number : 144307/10 (EHG03-015-14)		001	
SALES :	QA :	ENGRG : <i>NOO</i>	CHECKED BY : <i>L-JH</i>
DRAWN BY : XIAOZHI		Voletx (Asia) Pte Ltd	
Date :	Date :	Date : 21/3/14	Date : 21/03/14
Date : 21/03/14		Date : 21/03/14	
<small>Confidential property of Voletx. Information contained herein shall not be disclosed to others, reproduced or used for any other purposes except as authorized in writing by an authorized official of Voletx Asia.</small>			

REV.	DESCRIPTION	DATE
P	CHANGE VOLTAGE FM. 'XXXV' TO '125V' PER MARKING DWG..	05/04/12
Q	ADD '7A' IN RATING TABLE.	24/08/12



MARKING DETAILS :

TABLE :

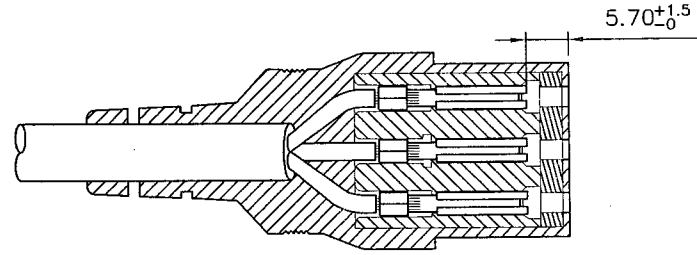
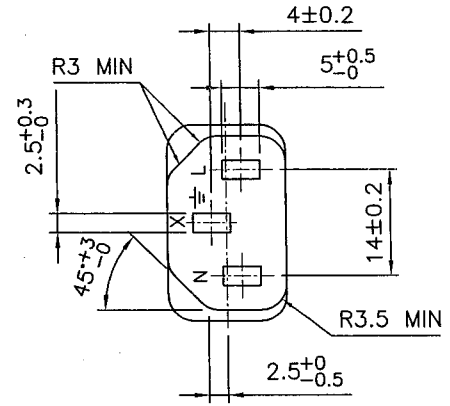
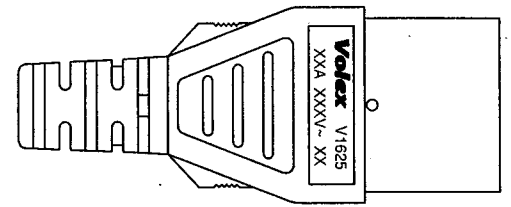
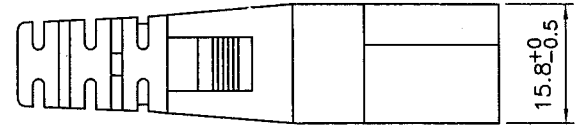
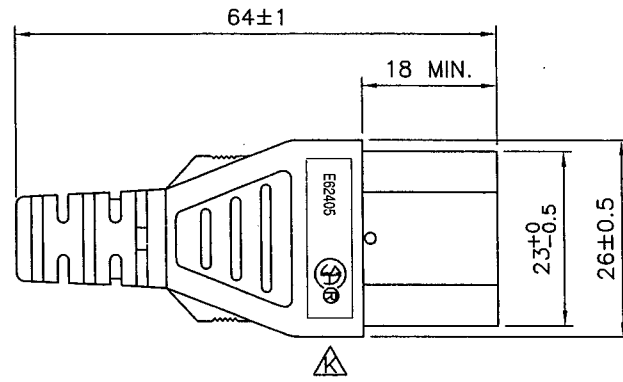
	CURRENT (XXA)	2.5A	7A	10A	✓ 12A	13A
--	---------------	------	----	-----	-------	-----

NOTES :

- 1.) ALL DIMENSIONS IN mm.
- 2.) VENDOR'S TRADEMARK MUST BE ON THE BLADE.
- 3.) X - CAVITY NO.(OPTIONAL)
- 4.) XXX - MANUFACTURE LOCATION
- 5.) XXA - RATING(REFER TO RATING TABLE)

SM	HENG GANG (CHINA)	X	DRAWN	DANIEL	24/08/12	FILE NAME :	TITLE :	
SM1/SMI	ZHONGSHAN (CHINA)	X	CHECK	<i>Handwritten</i>	24/08/12	A-PLUG/UL&CSA/GENERAL/PS204-UL/CSA	MOLDED PLUG PS204	
VH	HANOI (VIETNAM)	X	APPR	<i>Handwritten</i>	24/08/12	PS204-UL/CSA		
B	BATAM (INDONESIA)	X	REV.	Q	SCALE	N.T.S.		
VC	CHENNAI (INDIA)	X	REFERENCE :					
MANUFACTURE LOCATION MARK (' X ' IS APPLICABLE ONLY)							NORTH-AMERICAN APPROVAL	
								Volex (Asia) Pte Ltd
								<small>Confidential property of Volex. Information contained herein shall not be disclosed to others, reproduced or used for any other purposes except as authorized in writing by an authorized official of Volex sales.</small>

REV.	DESCRIPTION	DATE
J	ADD IN MANU. LOCATION MARK 'SMI'.	13/07/10
K	CHANGE MARKING PER ECN016-10.	22/02/11



E62405

Volex V1625
XXA XXXV~ XX

MARKING DETAILS

TABLE :

VOLTAGE (XXXV~)	250V~	125V~	✓
CURRENT (XXA)	10A	✓	13A

NOTES :

- 1.) ALL DIMENSIONS IN mm.
- 2.) X - CAVITY NO.(OPTIONAL)
- 3.) XXA XXXV~ - RATING (REFER TO TABLE).
- 4.) XX - MANUFACTURING LOCATION.

SM	HENG GANG (CHINA)	X	DRAWN	HONGYAN	22/02/11	FILE NAME :	TITLE :	
SM1/SMI	ZHONGSHAN (CHINA)	X	CHECK	<i>hongyan</i>	<i>24/02/11</i>	A-CONNECTOR\UL&CSA\GENERAL\	MOLDED CONNECTOR V1625	
VH	HANOI (VIETNAM)	X	APPR	<i>weib</i>	<i>24/2/11</i>	V1625-UL-CSA		
B	BATAM (INDONESIA)	X	REV.	K	SCALE	N.T.S.		
VC	CHENNAI (INDIA)	X	REFERENCE :				NORTH-AMERICAN APPROVAL	
MANUFACTURE LOCATION MARK (' X ' IS APPLICABLE ONLY)							<p>Volex (Asia) Pte Ltd</p> <p><small>Confidential property of Volex. Information contained herein shall not be disclosed to others, reproduced or used for any other purposes except as authorized in writing by an authorized official of volex asia.</small></p>	