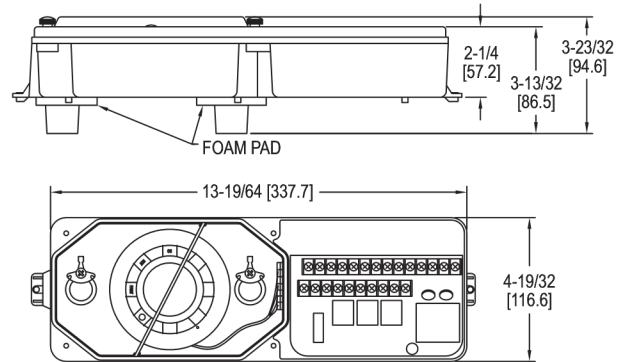
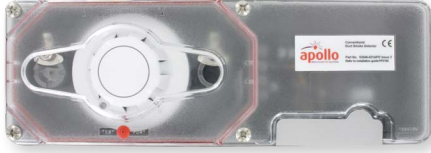




SERIES SL-2000

DUCT SMOKE DETECTOR

Early Smoke Detection in HVAC Systems



The **Series SL-2000 Duct Smoke Detector** is crucial for early detection of smoke and products of combustion present within HVAC ductwork. This series can be utilized in many different types of applications including commercial, industrial, and residential. The unit is designed to not only alarm when smoke is detected, but will also utilize relays to disable fans and blowers. The series comes complete with technician friendly "No-Tools Required" features to make installation and servicing simple and efficient.

FEATURES/BENEFITS

- Operates in air speeds of 100 to 4000 ft/min
- Transparent cover to view detector head LED
- Patented "No-Tools Required" front or rear loading and removing sampling/exhaust tubes
- Integrated smoke test port

APPLICATIONS

- Early smoke detection in ductwork
- Commercial/Industrial/Residential HVAC
- BAS automation

SPECIFICATIONS

Sensor Type: Photoelectric or Ionization.
Air Velocity Range: 100 to 4000 ft/min.
Ambient Temperature: SL-2000-N: 32°F to 158°F (0°C to 70°C); SL-2000-P: 32°F to 140°F (0°C to 60°C).
Humidity Limits: 85 ±5 % RH (@32 ±2°C; 86 ±3.6°F) Non-condensing/Non-freezing.
Power Requirements: Standby: 230 VAC (12 mA), 115 VAC (22 mA), 24 VAC (55 mA), or 24 VDC (14 mA); Alarm: 230 VAC (18 mA), 115 VAC (32mA), 24 VAC (190 mA), or 24 VDC (68 mA).
Electrical Rating: Alarm contacts: 2 sets form "C" rated at 10 A resistive @ 115 VAC and 1 set form "A" rated at 2 A; Trouble contacts: 1 set form "C" rated at 10 A @ 115 VAC.
Electrical Connections: Screw terminals.
Enclosure: Grey plastic backbox, clear plastic cover (Makrolon 94V-0).
Enclosure Rating: SL-2000: NEMA 1; WP-2000: NEMA 3R.
Radioactive Element: For SL-2000-N (Ionization) americium 241; 0.9 Micro-curie; Do not expose to corrosive atmospheres.
Weight: 2.5 lbs.
Approvals: cULus (UL 268A) file # S2829, CSFM listed (3240-1004:105), MEA accepted (73-92-E; VOL. 27).

MODEL CHART	
Model	Sensor Type
SL-2000-N	Conventional, 4 wire, universal voltage, ionization duct smoke detector
SL-2000-P	Conventional, 4 wire, universal voltage, photoelectric duct smoke detector

ACCESSORIES	
Model	Sensor Type
FAST TUBE	Sectional, polycarbonate sampling tube, bag of (3) 24" tubes
TG-2500	Test gas for SL-2000 models
WP-2000	Weatherproof enclosure for SL-2000 models
55000-225APO	Ionization replacement sensor for SL-2000-N
55000-328APO	Photoelectric replacement sensor for SL-2000-P