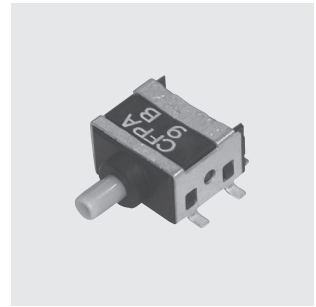


CFPA

Surface Mount Pushbutton Switches

Washable

RoHS Compliant



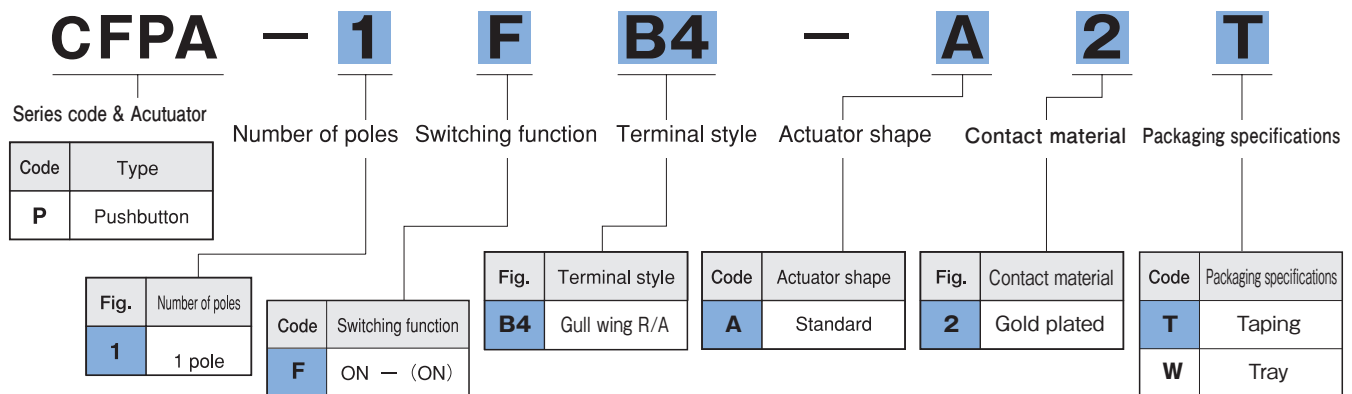
■ Features

1. Compatible with Reflow Soldering
2. Washable
3. Gold-Plated Contacts for Low Current Application
4. Clip Contact Mechanism for High Contact Reliability

■ Specifications

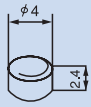
Rating	Max.	0.4VA (28VDC max.) (Resistive load)
	Min.	1 μ A 20mVDC (Resistive load)
Initial contact resistance	80m Ω max. (1.5mA 1kHz 20mV min.)	
Dielectric strength	500VAC 1 minute	
Initial insulation resistance	500M Ω min. (500VDC)	
Stroke	1.1 mm	
Operating force	1.5N \pm 1N	
Electrical life	50,000 operations at max. rating	
Switch timing	Non-shorting	
Operating temperature range	-40 $^{\circ}$ C ~ +85 $^{\circ}$ C	
Storage temperature range	-40 $^{\circ}$ C ~ +85 $^{\circ}$ C	

■ Part Numbering

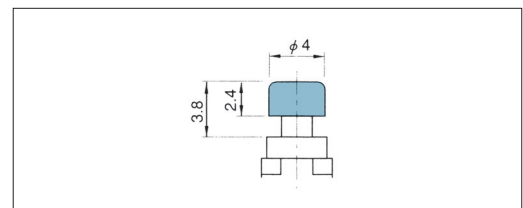


■ Optional Accessories

《Sold separately》



Part Name	Dimensions	Color	Part Number
Color Cap	Gloss finish  ABS resin	White	140000481453
		Red	140000481452
		Black	140000481451
		Gray	140000481450

■ Color Cap Mounting



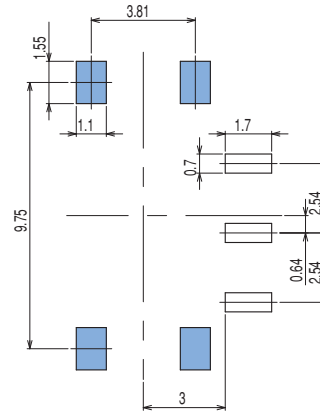
The color cap should be installed after the reflow soldering and washing process.

Switching function

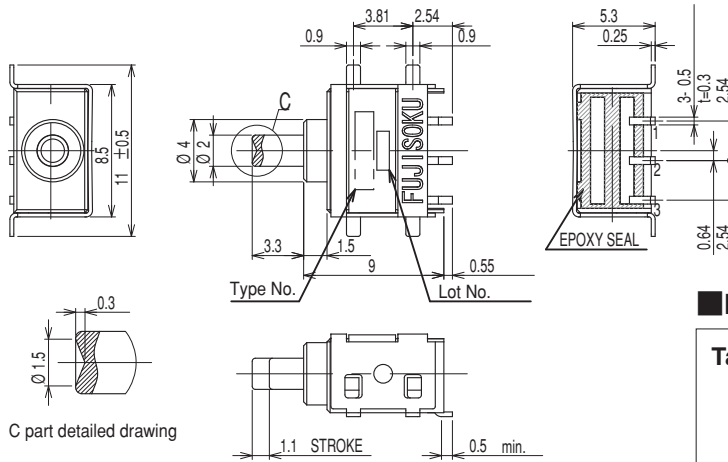
	Switching function		
Part No.		ON	(ON)
CFPA-1FB4-A2		ON	(ON)
Connecting terminals		2-3	2-1

■ : Packing specifications T or W (ON) : Momentary

Pad Layouts



Dimension

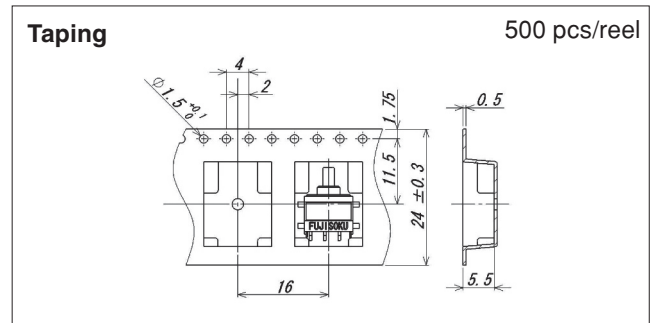


C part detailed drawing

Table of Part Numbers

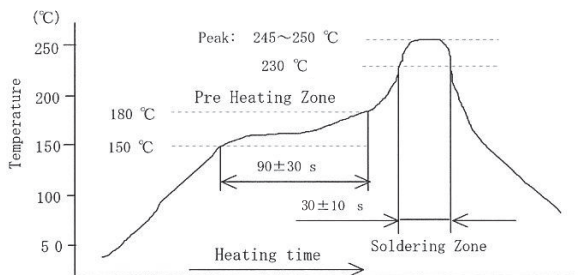
Packaging specifications	Part No.
Taping	CFPA-1FB4-A2T
Tray	CFPA-1FB4-A2W

Packaging Specifications



Soldering Specifications

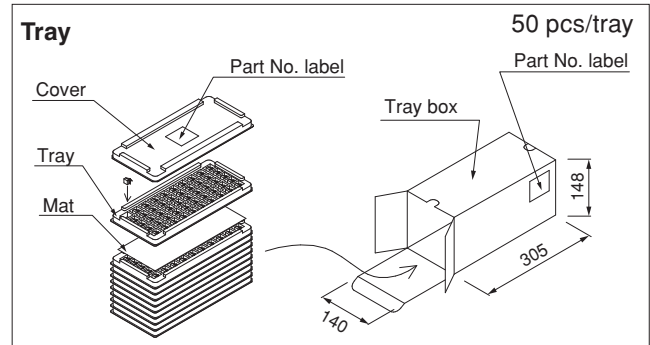
(1) Reflow Soldering



Apply reflow soldering: 2 times max.

(2) Manual Soldering

Device : Soldering iron
Max.: 3-4 seconds. Max.



Flux Cleaning

- (1) For the solvent, use water or alcohol. In addition, pay careful attention to use the solvent.
- (2) The cleaning method is limited to immersion cleaning only. The cleaning time is 2 minutes, max, but be sure to minimize the time as much as possible.
- (3) To clean the switch after soldering, wait until the switch temperature has cooled down to room temperature (30°C or below).
- (4) The product must be dried sufficiently after cleaning. Improper drying may result in fluctuation in torque or electrical damage.