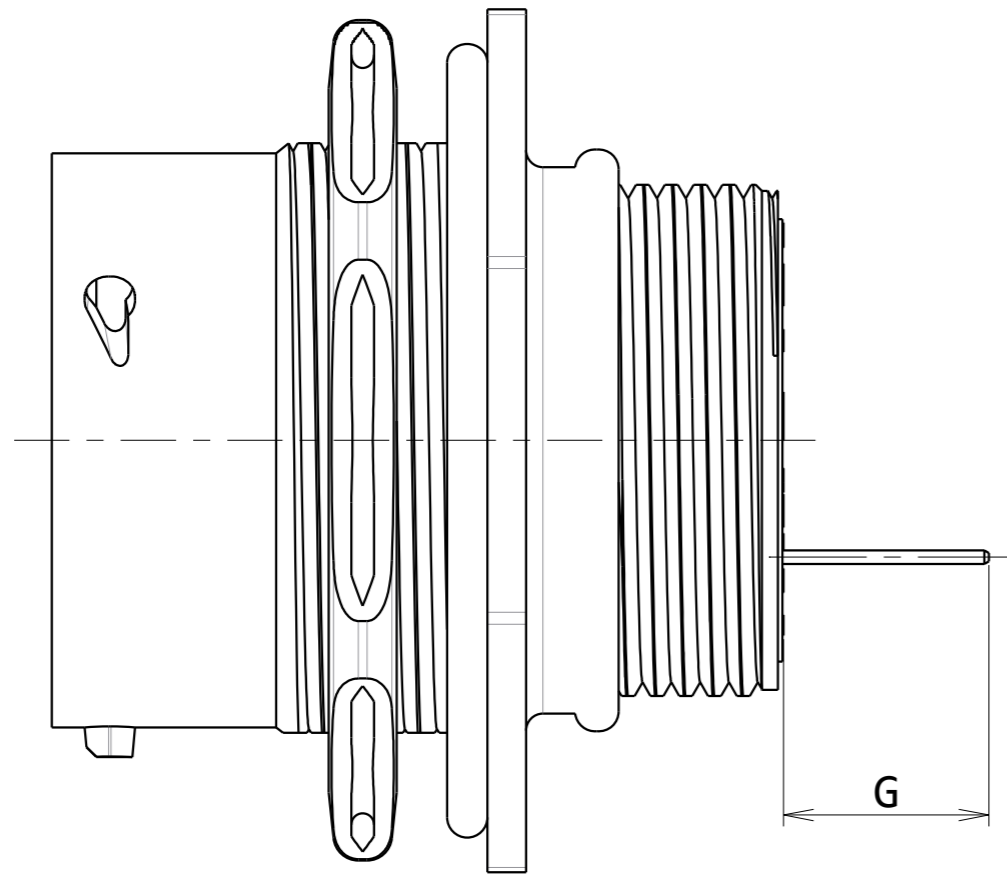


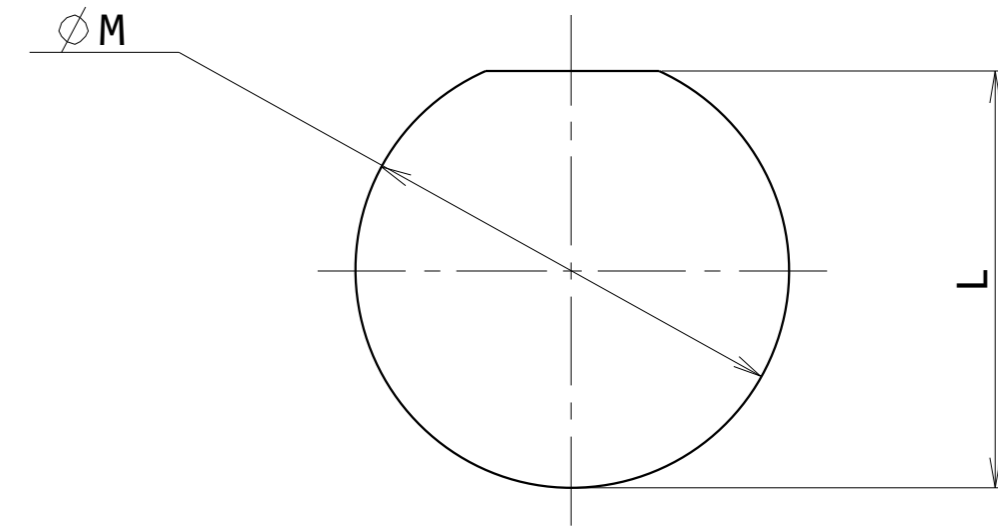


In case the connectors are equipped with dipsolder contacts



CONTACT RM20M12E84x (Male)  
or RC20M12E83x (Female)

Panel Cut Out



Contacts to be ordered separately

MALE CONTACTS		
Part Number	G	
	min	max
UT07104P-H-	11.2	13.5
UT071044P-H-		
UT07128P-H-		
UT071412P-H-		
UT071492P-H-		
UT071619P-H-	7.1	9.2
UT071823P-H-		
UT072028P-H-		
UT072030P-H-		
UT072235P-H-	5.7	7.8
UT072238P-H-		
UT072448P-H-		

FEMALE CONTACTS		
Part Number	G	
	min	max
UT07104S-H-	0.45	2.45
UT071044S-H-		
UT07128S-H-		
UT071412S-H-		
UT071492S-H-		
UT071619S-H-	NOT EXISTING	
UT071823S-H-		
UT072028S-H-		
UT072030S-H-		
UT072235S-H-	NOT EXISTING	
UT072238S-H-		
UT072448S-H-		

Part Number (Male or Female)	L	∅ M
UT07102W2--H-	16.45 <sup>+0.2</sup> <sub>0</sub>	17.30 <sup>+0.25</sup> <sub>0</sub>
UT07103W3--H-		
UT07103--H-		
UT07104--H-		
UT071044--H-	20.85 <sup>+0.3</sup> <sub>0</sub>	22.10 <sup>+0.3</sup> <sub>0</sub>
UT07124--H-		
UT07128--H-		
UT07142G1--H-	24.00 <sup>+0.3</sup> <sub>0</sub>	25.40 <sup>+0.3</sup> <sub>0</sub>
UT07147--H-		
UT07148--H-		
UT071412--H-		
UT071492--H-	27.10 <sup>+0.3</sup> <sub>0</sub>	28.20 <sup>+0.3</sup> <sub>0</sub>
UT071619--H-		
UT071823--H-	30.20 <sup>+0.3</sup> <sub>0</sub>	31.70 <sup>+0.3</sup> <sub>0</sub>
UT072028--H-	33.40 <sup>+0.3</sup> <sub>0</sub>	34.70 <sup>+0.3</sup> <sub>0</sub>
UT072030--H-		
UT072235--H-	36.60 <sup>+0.3</sup> <sub>0</sub>	37.80 <sup>+0.3</sup> <sub>0</sub>
UT072238--H-		
UT072448--H-	39.80 <sup>+0.3</sup> <sub>0</sub>	41.10 <sup>+0.3</sup> <sub>0</sub>

A	20/04/2015	_CREATION OF THE DRAWING		24021
ISS	DATE	_Cancel & replace UT07-C01		MOD N°
Designed by:		CHANTOISEAU P. Date : 21/10/2013	CUSTOMER DRAWING	
TITLE		RECEPTACLE UT0 CONNECTOR		
Scale	3/1	General linear Tolerances: ± 0.1	NPRDS / PROJECT UT0	
SOURIAU		WWW.SOURIAU.COM		This document is the property of SOURIAU. It must not be reproduced or communicated without permission.
FORMAT	A2	SOURIAU DRG N° C001-UT07-A		SHEET 2 / 2