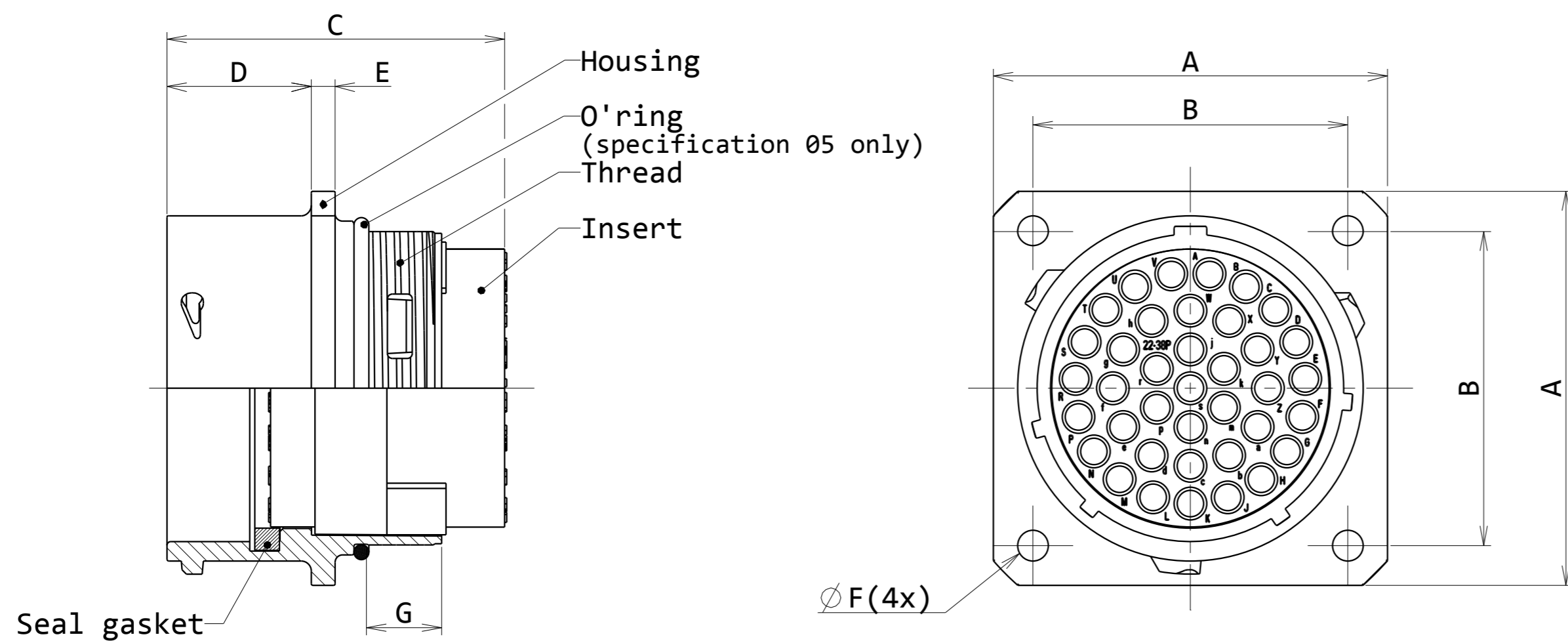


A.8; Validé



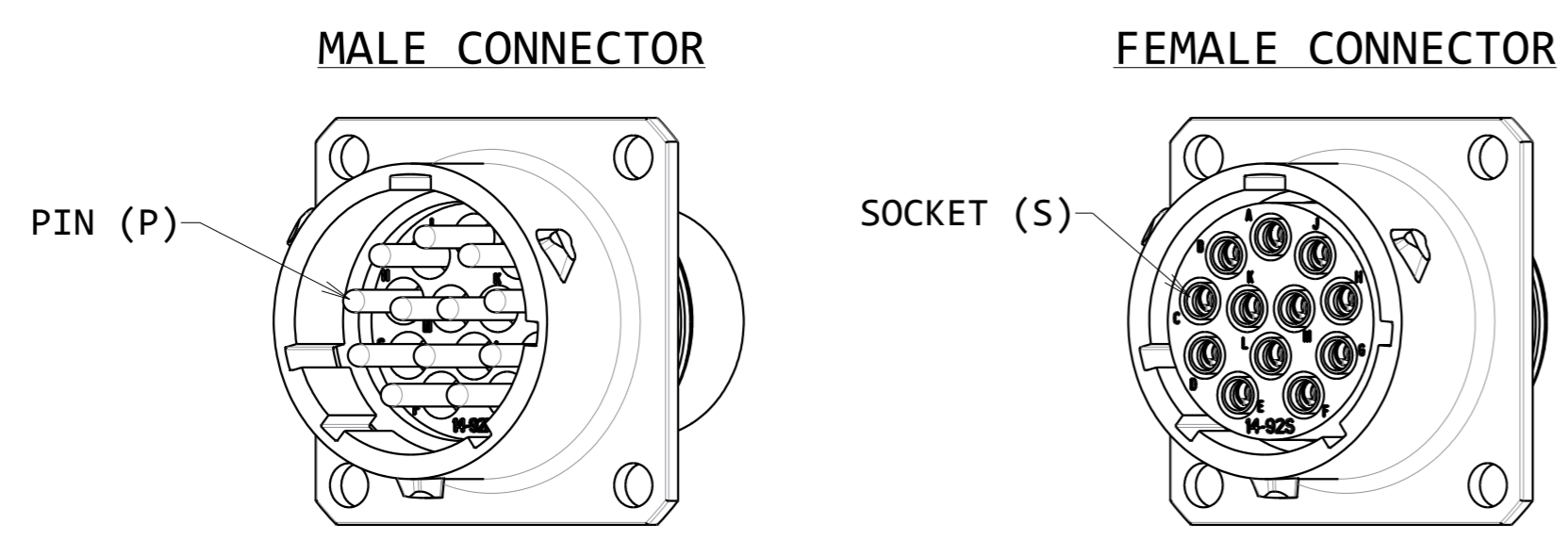
MATERIAL :
 Housing : Zinc alloy nickel plated
 Insert : PA 66 UL94 V0
 Mating gasket : sealing IP67:Nitril
 sealing IP68:Silicone
 O'ring : nitril

PERFORMANCE CHARACTERISTICS :
 Operating temperature : -40°C up to 105°C
 Insulation resistance : 5000 MΩmin
 Withstanding voltage: 2000Vrms
 (1500 Vrms for 102w2 and 103w3 layouts)
 Corrosion salt spray : 96 hours
 Durability : 500 matings and unmatings
 Sealing IP67 / IP68 3 bar/30min as per IEC60529
 Sealing IP69K as per DIN40050
 ROHS compliant

- NOTES :**
- 1- Contact identification and orientation of connector, refer to:
 UT0-CONTACT-L-C01 (Male)
 UT0-CONTACT-L-C02 (Female)
 - 3- Contact to be ordered separately refer to : UT0 catalog
 - 4- Dimension ϕP for front panel mounting (see to panel cut out)
 - 5- Dimension ϕR for rear panel mounting (see to panel cut out)
 - 6- To achieved Sealing condition : Add UTFD-- Sealing Gasket
 - 7- Insert arrangement refer to : UT0-DHP-001-C01 (Male)
 UT0-DHP-002-C01 (Female)
 - 8- This drawing covers p/n termination : -H / -H6 / -H05 / -H605
 - 9- Packaging: connector is individually packed in a plastic bag

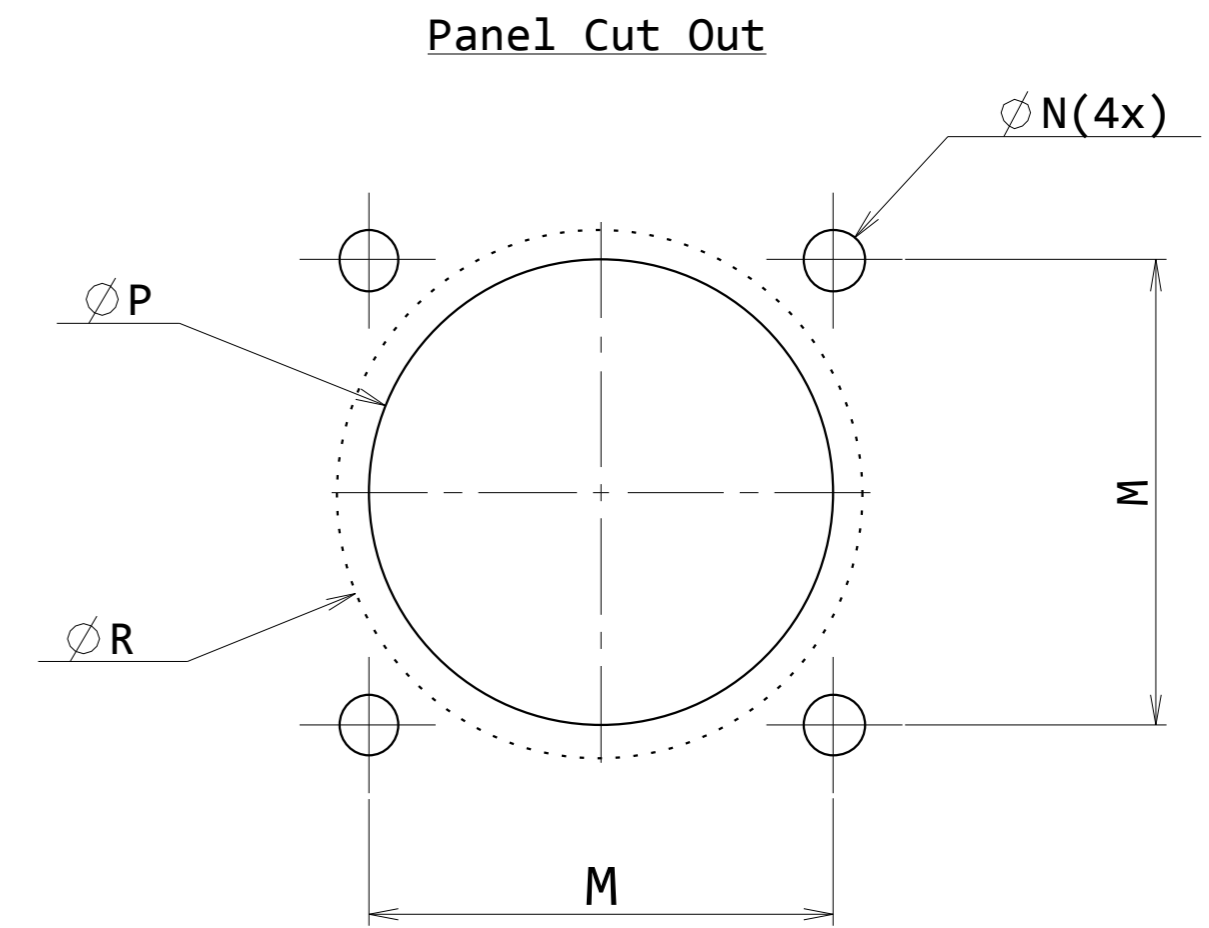
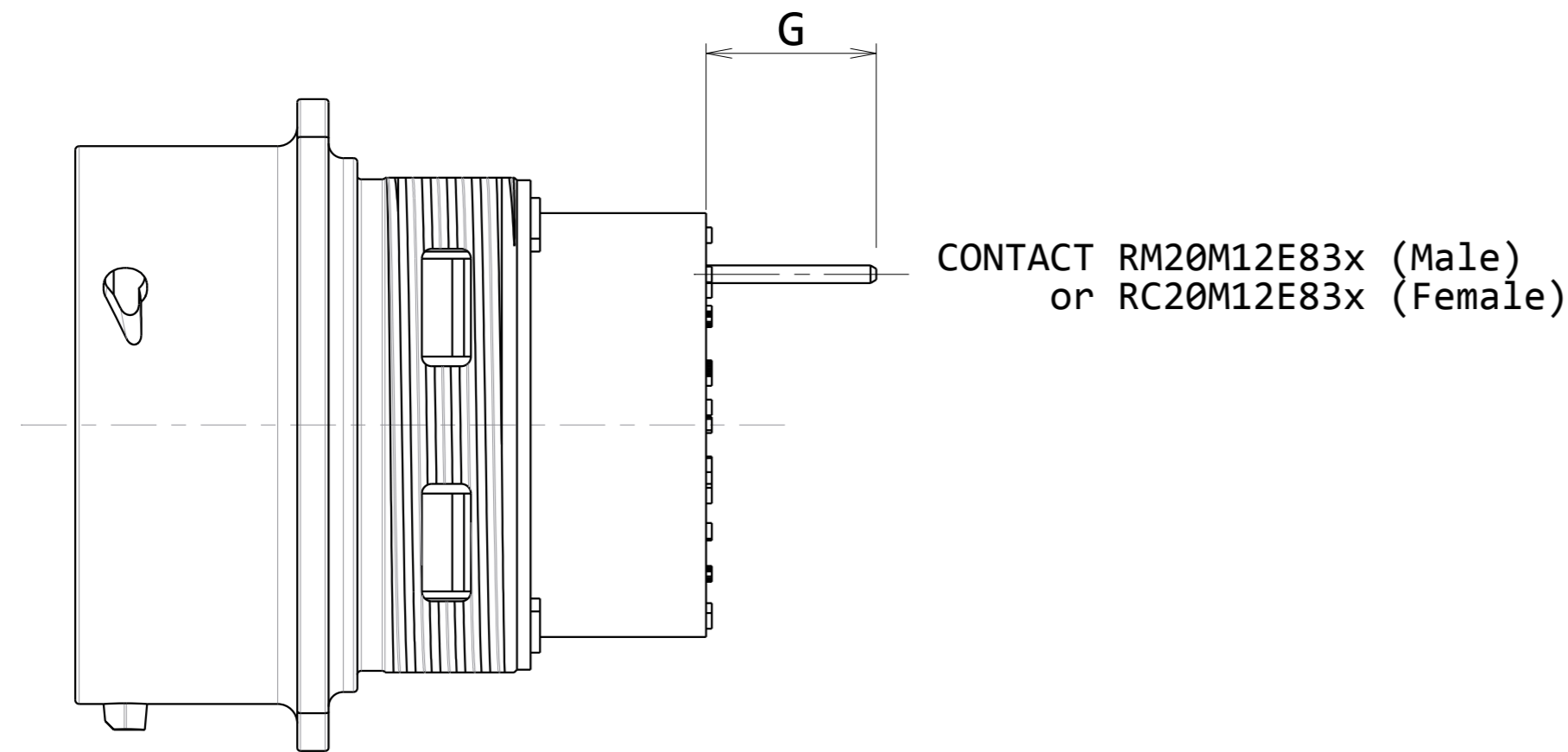
| Part Number (Note 8) | Thread (for information) | A ±0.3 | B ±0.2 | C Max | | D ±0.2 | E ±0.35 | F ±0.15 | G ±0.2 |
|-------------------------|-----------------------------|--------|--------|-------|--------|--------|---------|---------|--------|
| | | | | Male | Female | | | | |
| UT00102W2--H- | 9/16-24 UNEF Class 2A | 23.85 | 18.26 | 33.20 | 31.50 | 11.35 | 1.60 | 3.10 | 7.50 |
| UT00103W3--H- | | | | | 25.50 | | | | |
| UT00103--H- | | | | | | | | | |
| UT00104--H- | | | | | | | | | |
| UT001044--H- | | | | | | | | | |
| UT00124--H- | 11/16-24 UNEF Class 2A | 26.20 | 20.62 | 36.00 | 32.50 | 11.35 | 1.60 | 3.10 | 7.50 |
| UT00128--H- | | | | | 25.50 | | | | |
| UT00142G1--H- | | | | | 31.50 | | | | |
| UT00147--H- | | | | | 31.50 | | | | |
| UT00148--H- | 13/16-20 UNEF Class 2A | 28.60 | 23.01 | 33.20 | 25.50 | 11.35 | 1.60 | 3.10 | 7.50 |
| UT001412--H- | | | | | 31.50 | | | | |
| UT001492--H- | | | | | 25.50 | | | | |
| UT001619--H- | | | | | 25.50 | | | | |
| UT001823--H- | 1" 1/16-18 UNEF Class 2A | 33.35 | 26.97 | 34.70 | 29.30 | 14.55 | 2.40 | 3.80 | |
| UT002028--H- | 1" 3/16-18 UNEF Class 2A | 36.55 | 29.36 | | | | | | |
| UT002030--H- | 1" 5/16-18 UNEF Class 2A | 39.80 | 31.75 | | | | | | |
| UT002235--H- | 1" 7/16-18 UNEF Class 2A | 42.90 | 34.92 | | | | | | |

| | | | | | | |
|---|--|--|--|--|--|--|
| UT00 14 2G1 P W H6 05 | | | | | | |
| Receptacle UT0 : <i>Type 0</i> | | | | | | |
| Shell size : | | | | | | |
| Insert arrangement : <i>See Note 7</i> | | | | | | |
| Contact : P : Male S : Female | | | | | | |
| Insert polarisation : <i>No letter : Standard version</i> W, X, Y, Z : <i>Differents orientation</i> | | | | | | |
| Sealing version : H : <i>IP67 version</i> H6 : <i>IP68 version</i> | | | | | | |
| Specification : <i>No letter : Standard version</i> 05 : <i>O'ring rear on the receptacle</i> | | | | | | |



| | | | |
|---|-------------------------------|--|--------------------------------|
| A | 20/04/2015 | _CREATION OF THE DRAWING _Cancel & replace UT00-C01 | 24021 |
| ISS | DATE | Latest modification - by: COUTY L. | MOD N° |
| Designed by: COUTY L. | | Date : 20/04/2015 | CUSTOMER DRAWING |
| TITLE | | RECEPTACLE UT0 CONNECTOR | |
| Scale | 2/1 | General linear Tolerances: ± 0.1 | NPRDS / PROJECT UT0 |
| SOURIAU | | WWW.SOURIAU.COM | |
| This document is the property of SOURIAU. It must not be reproduced or communicated without permission. | | | |
| FORMAT | SOURIAU DRG N° C001-UT00-A | | SHEET 1 / 2 |

In case the connectors are equipped with dipsolder contacts



Contacts to be ordered separately

| MALE CONTACTS | | |
|---------------|-----|------|
| Part Number | G | |
| | min | max |
| UT00104P-H- | 8.1 | 10.3 |
| UT001044P-H- | | |
| UT00124P-H- | | |
| UT00128P-H- | | |
| UT001412P-H- | | |
| UT001492P-H- | | |
| UT001619P-H- | | |
| UT001823P-H- | | |
| UT002028P-H- | | |
| UT002030P-H- | | |
| UT002235P-H- | | |
| UT002238P-H- | | |
| UT002448P-H- | | |

| FEMALE CONTACTS | | |
|-----------------|-----|-----|
| Part Number | G | |
| | min | max |
| UT00104S-H- | 7.5 | 9.2 |
| UT001044S-H- | | |
| UT00128S-H- | | |
| UT001412S-H- | | |
| UT001492S-H- | | |
| UT001619S-H- | | |
| UT001823S-H- | 5.3 | 7.1 |
| UT002028S-H- | | |
| UT002030S-H- | | |
| UT002235S-H- | | |
| UT002238S-H- | | |
| UT002448S-H- | | |

| Part Number | M ±0.2 | ∅N ±0.1 | ∅P ±0.1 | ∅R ±0.1 |
|---------------|--------|---------|---------|---------|
| UT00102W2--H- | 18.26 | 3.20 | 14.20 | 17.30 |
| UT00103W3--H- | | | | |
| UT00103--H- | | | | |
| UT00104--H- | | | | |
| UT001044--H- | | | | |
| UT00124--H- | 20.62 | 3.20 | 18.40 | 21.85 |
| UT00128--H- | | | | |
| UT00142G1--H- | 23.01 | 3.20 | 21.50 | 25.00 |
| UT00147--H- | | | | |
| UT00148--H- | | | | |
| UT001412--H- | | | | |
| UT001492--H- | 24.61 | 3.20 | 24.60 | 28.10 |
| UT001619--H- | | | | |
| UT001823--H- | | | | |
| UT002028--H- | 29.36 | 3.20 | 30.95 | 34.50 |
| UT002030--H- | | | | |
| UT002235--H- | 31.75 | 3.20 | 34.10 | 37.70 |
| UT002238--H- | | | | |
| UT002448--H- | 34.92 | 3.90 | 37.30 | 40.90 |

-Dimension ∅P for front panel mounting (see to panel cut out)
-Dimension ∅R for rear panel mounting (see to panel cut out)

| | | | | |
|--------------|------------|----------------------------------|------------------------|---|
| A | 04/11/2014 | _CREATION OF THE DRAWING | | 24021 |
| ISS | DATE | _Cancel & replace UT00-C01 | | MOD N° |
| Designed by: | | COUZY L. | Date : 04/11/2014 | CUSTOMER DRAWING |
| TITLE | | RECEPTACLE UT0 CONNECTOR | | |
| Scale | 3/1 | General linear Tolerances: ± 0.1 | NPRDS / PROJECT UT0 | |
| SOURIAU | | WWW.SOURIAU.COM | | This document is the property of SOURIAU. It must not be reproduced or communicated without permission. |
| FORMAT | A2 | SOURIAU DRG N° C001-UT00-A | | SHEET 2 / 2 |