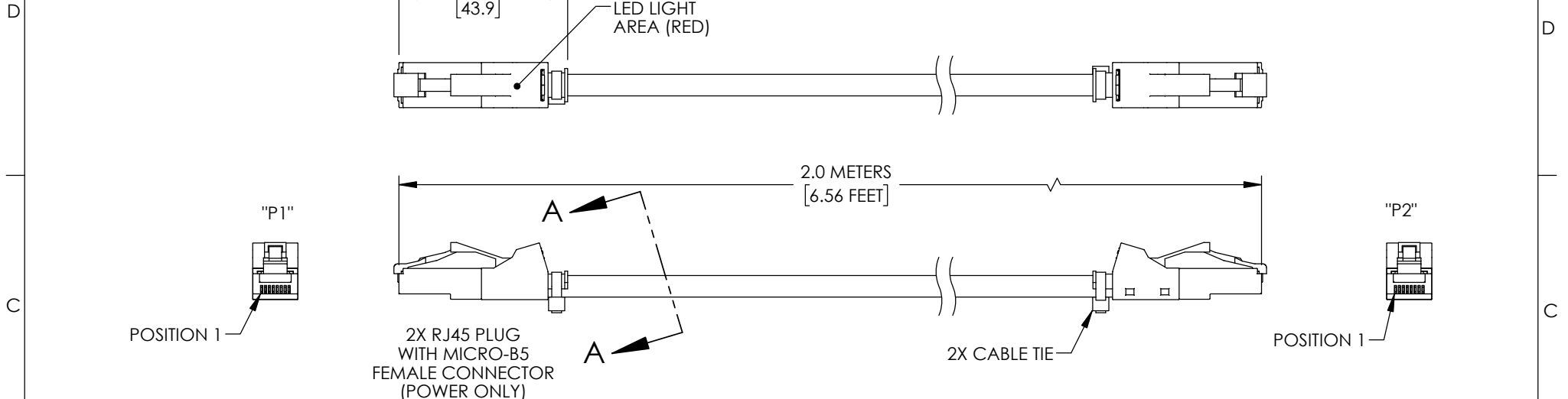


THE INFORMATION CONTAINED IN THIS DRAWING IS THE SOLE PROPERTY OF L-COM, INC. ANY REPRODUCTION IN PART OR WHOLE WITHOUT THE WRITTEN PERMISSION OF L-COM, INC. IS PROHIBITED.

REVISIONS			
REV	DESCRIPTION	DATE	APPROVED
A	INITIAQL RELEASE	01/13/2020	GUTTADAURO



NOTES:

MATERIAL:

PLUG HOUSING: POLYCARBONATE 94V-2, PLASTIC, CLEAR
 STRAIN RELIEF: POLYCARBONATE 94V-0, PLASTIC, CLEAR
 PLUG CONTACTS: PHOSPHOR BRONZE WITH 50µ" GOLD PLATING
 CABLE: CAT 6A UTP 4 TWISTED PAIR, 26AWG
 TRACING CABLE: 2 COND., 30AWG (BLACK & RED)
 JACKET: PVC, BEIGE

FEATURES:

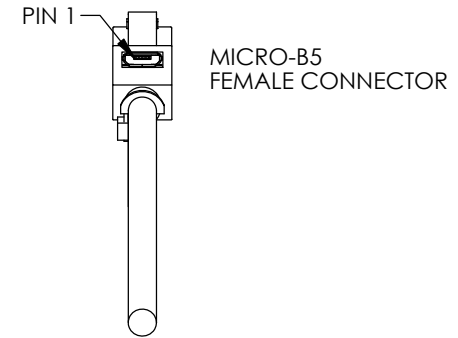
LED LIGHT POWERED BY MICRO-USB

SPECIFICATIONS:


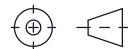
CATEGORY: CAT 6A
 WIRING SCHEME: T568B
 CURRENT RATING: 1.5 AMP mps
 INSULATION RESISTANCE: MIN 500M OHM
 CONTACT RESISTANCE: MAX 20 mohm
 DIELECTRIC STRENGTH: MIN 1000 Vac (rms)
 VOLTAGE: MAX 30VAc
 INSERTION LIFE: 750 MATING CYCLES
 PULLING FORCE: 20 LBS (89 N)
 STORAGE TEMPERATURE: -20° C ~ 70° C
 OPERATING TEMPERATURE: -10° C ~ 60° C

NOTES:

ALL DIMENSIONS ARE FOR REFERENCE ONLY.
 CABLE ASSEMBLY SHALL BE TESTED FOR CONTINUITY.
 CABLE ASSEMBLY SHALL BE INDIVIDUALLY PACKAGED IN ACCORDANCE WITH L-COM SPECIFICATION PS-0031.



VIEW A-A

UNLESS OTHERWISE SPECIFIED, DIMENSIONS ARE IN INCHES [mm]	APPROVALS	DATE	 50 High Street, West Mill, North Andover, MA 01845 USA. Phone: 1.800.341.5266 1.978.682.6936			
	OVERALL CABLE LENGTH TOLERANCE: ≤12 [305] = +1 [25] / -0 >12 [305] ≤60 [1524] = +2 [51] / -0 >60 [1524] ≤120 [3048] = +4 [102] / -0 >120 [3048] ≤300 [7620] = +6 [152] / -0 >300 [7620] = +5% / -0	DRAWN BY DFRISIELLO		01/07/2020		
ALL OTHER DIMENSIONAL TOLERANCES: .X = ± .2 [5] FRACTIONS ± 1/32 .XX = ± .02 [5] ANGLES ± 1° .XXX = ± .005 [13]	CHECKED BY GUTTADAURO	01/13/2020	CATEGORY TELECOM/MODULAR			
	APPROVED BY GUTTADAURO	01/13/2020		PRODUCT DESCRIPTION Cat 6A LED Traceable Patch Cord, UTP, Gray		
THIRD-ANGLE PROJECTION 	CONFIGURATION DETAILS OF UNDIMENSIONED FEATURES MAY VARY	COLOR VARIATIONS MAY OCCUR	SIZE A		CAGE CODE 43321	ITEM NO. TRD695ATC
SCALE: NONE		CAD FILE: TRD695ATC.SLDDRW		SHEET 1 OF 1		