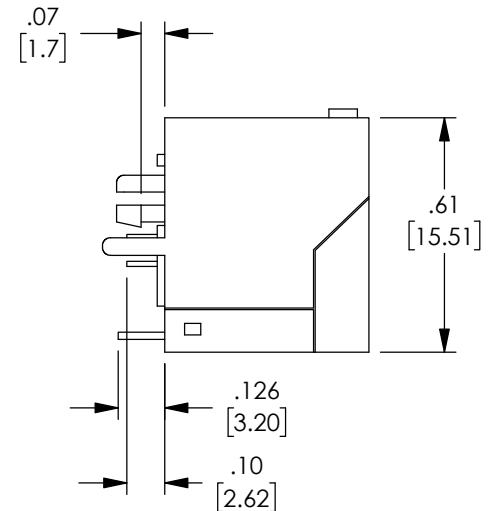
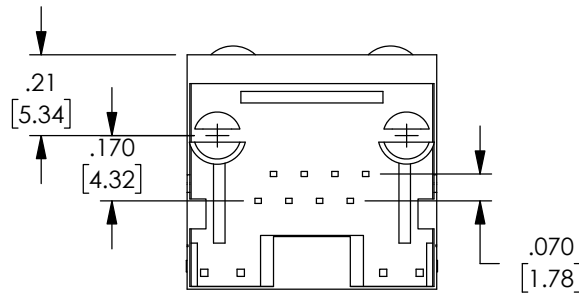
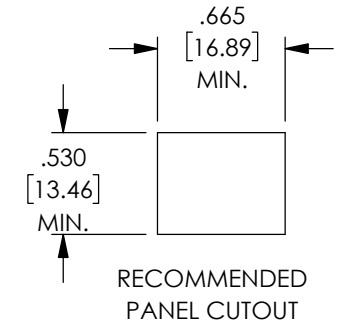
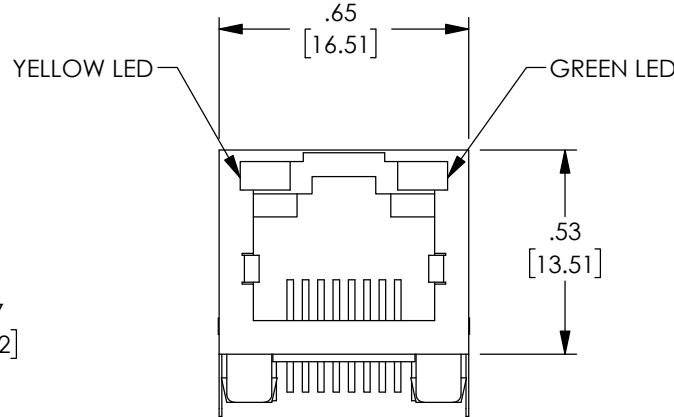
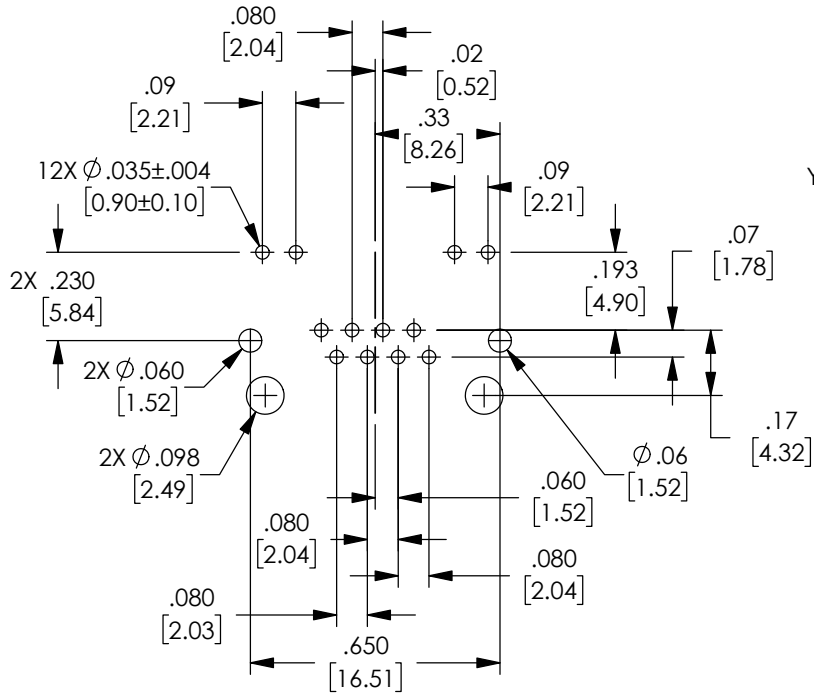


THE INFORMATION CONTAINED IN THIS DRAWING IS THE SOLE PROPERTY OF L-COM, INC. ANY REPRODUCTION IN PART OR WHOLE WITHOUT THE WRITTEN PERMISSION OF L-COM, INC. IS PROHIBITED.

REVISIONS			
REV	DESCRIPTION	DATE	APPROVED
A	INITIAL RELEASE	01/09/2020	GUTTADAURO



**SPECIFICATIONS:**

PLASTIC HOUSING: ENGINEERING THERMOPLASTIC, UL94V-0  
 INNER CONTACTS: PHOSPHOR BRONZE, GOLD OVER NICKEL PLATING.  
 OUTER CONTACTS: PHOSPHOR BRONZE, TIN PLATING OVER NICKEL PLATING (SOLDER AREA)

SHIELDING: BRASS PLATING NICKEL ALLOY

**ELECTRICAL:**


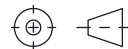
VOLTAGE RATING: 125 Vac rMS  
 CURRENT RATING: 1.5 AMP  
 CONTACT RESISTANCE: 40 MILLIOHMS MAX.  
 INSULATION RESISTANCE: 1000 MEGOHMS MIN 500 Vdc  
 DIELECTRIC STRENGTH: 1000 Vac rMS 60HZ, 1 MINUTE

**MECHANICAL:**

MATING: 750 CYCLES MIN.  
 STORAGE TEMPERATURE: -40 °C TO +85 °C  
 OPERATING TEMPERATURE: -20 °C TO +75 °C

**NOTES:**

- ALL DIMENSIONS ARE FOR REFERENCE ONLY.
- COMPONENT SHALL BE INDIVIDUALLY PACKAGED IN ACCORDANCE WITH L-COM SPECIFICATION PS-0031.

UNLESS OTHERWISE SPECIFIED, DIMENSIONS ARE IN INCHES [mm]	APPROVALS	DATE	 50 High Street, West Mill, North Andover, MA 01845 USA. Phone: 1.800.341.5266 1.978.682.6936
	OVERALL CABLE LENGTH TOLERANCE: $\leq 12$ [305] = +1 [25] / -0 $> 12$ [305] $\leq 60$ [1524] = +2 [51] / -0 $> 60$ [1524] $\leq 120$ [3048] = +4 [102] / -0 $> 120$ [3048] $\leq 300$ [7620] = +6 [152] / -0 $> 300$ [7620] = +5% / -0	DRAWN BY DFRISIELLO	
ALL OTHER DIMENSIONAL TOLERANCES: .X = ± .2 [5]   FRACTIONS ± 1/32 .XX = ± .02 [5]   ANGLES ± 1° .XXX = ± .005 [13]	CHECKED BY GUTTADAURO		CATEGORY <b>TELECOM/MODULAR</b>
	APPROVED BY GUTTADAURO		PRODUCT DESCRIPTION <b>RJ45 Surface Mount Jack Shielded 90°, LED, Silver</b>
THIRD-ANGLE PROJECTION 	CONFIGURATION DETAILS OF UNDIMENSIONED FEATURES MAY VARY	COLOR VARIATIONS MAY OCCUR	SIZE <b>A</b>
			CAGE CODE <b>43321</b>
			DWG. NO. <b>SMJ-RJ45S90-LED</b>
			REV. <b>A</b>
			SCALE: NONE   CAD FILE: SMJ-RJ45S90-LED.SLDDRW   SHEET 1 OF 1