



## Main

Product or component type	Plug-in electromechanical relay
Line Rated Current	10 A
Switch function	DPDT
Contacts type and composition	2 NC + 2 NO

## Complementary

[Ie] rated operational current	10 A at 277 V AC (on resistive load) conforming to UL 10 A at 30 V DC (on resistive load) conforming to UL 10 A at 250 V AC-1 (1 NO) (on resistive load) conforming to IEC 10 A at 28 V DC-1 (1 NO) (on resistive load) conforming to IEC 5 A at 250 V AC-1 (1 NC) (on resistive load) conforming to IEC 5 A at 28 V DC-1 (1 NC) (on resistive load) conforming to IEC
Maximum switching voltage	300 V conforming to UL 300 V conforming to CSA 250 V IEC
Control type	Lockable test button
Mounting support	Plug-in
Local signalling	LED cover Flag
Contacts material	Silver alloy, gold flashed
Rated power in HP	0.33 HP at 120 V AC 1 HP at 277 V AC
Connections - terminals	Blade terminal
Control circuit voltage limits	0.85...1.1 Un AC
Resistance	72 Ohm
Average consumption	3 VA
Vibration resistance	+/- 1 mm 10...35 Hz in operation 3 gn 35...150 Hz in operation
Operating time	20 ms
Drop-out voltage threshold	>= 0.15 Uc AC >= 0.1 Uc DC
Minimum switching current	10 MA at 17 V DC
Net Weight	2.93 Oz (83 g)
Height	2.09 In (53 mm)

Width	1.38 In (35 mm)
Depth	1.40 In (35.5 mm)

## Environment

Shock resistance	10 gn
Ambient air temperature for operation	-40...131 °F (-40...55 °C)
Ambient air temperature for storage	-40...185 °F (-40...85 °C)
Product certifications	UL CSA CE EAC
Dielectric strength	2500 V AC between coil and contact 2000 V AC between poles 1500 V AC between contacts
Electrical durability	100000 Cycles
Mechanical durability	5000000 Cycles
IP degree of protection	IP40

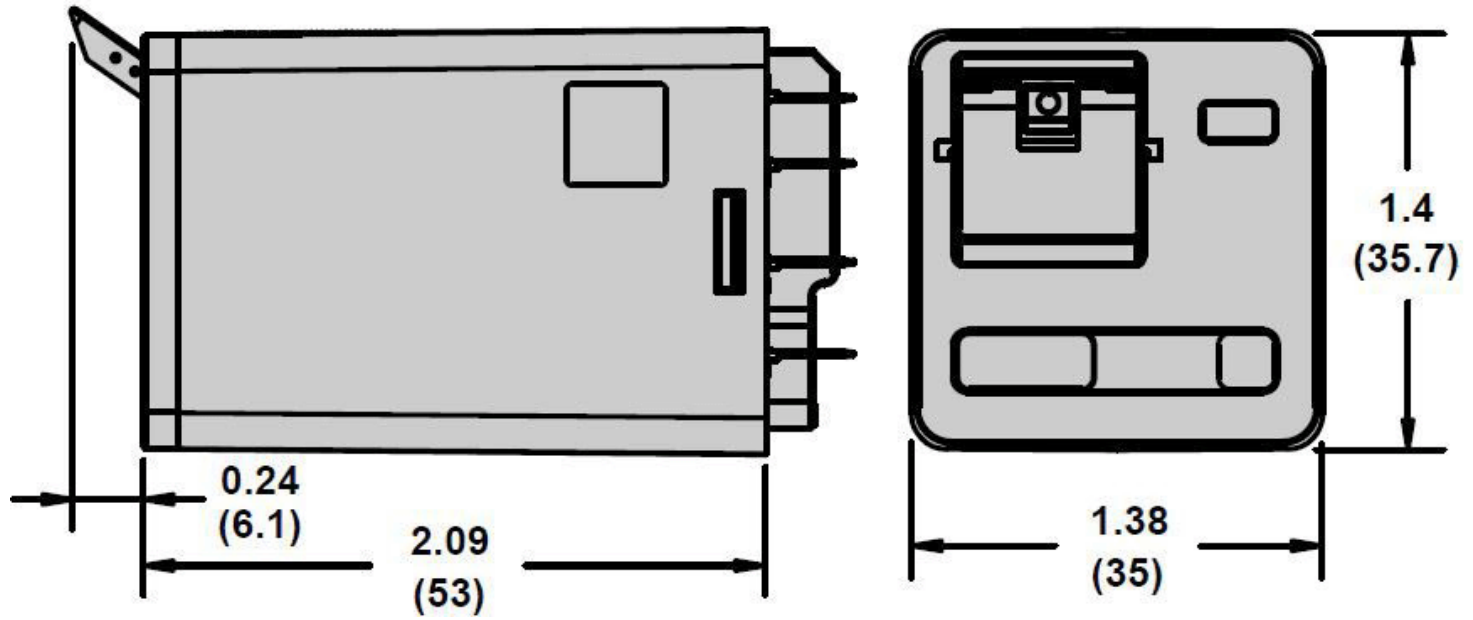
## Ordering and shipping details

GTIN	03606480779886
------	----------------

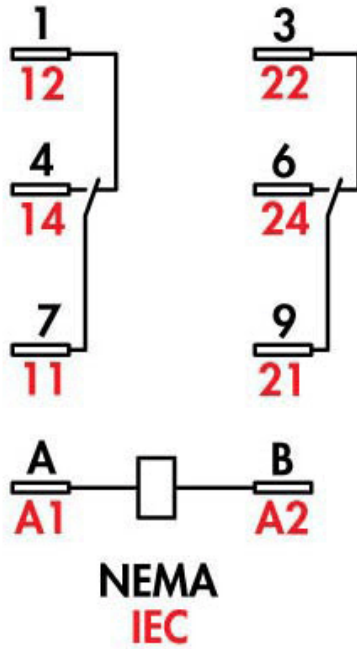
## Offer Sustainability

Sustainable offer status	Green Premium product
California proposition 65	WARNING: This product can expose you to chemicals including: Nickel compounds, which is known to the State of California to cause cancer, and Di-isodecyl phthalate (DIDP), which is known to the State of California to cause birth defects or other reproductive harm. For more information go to <a href="http://www.P65Warnings.ca.gov">www.P65Warnings.ca.gov</a>
REACH Regulation	<a href="#">REACH Declaration</a>
REACH free of SVHC	Yes
EU RoHS Directive	Pro-active compliance (Product out of EU RoHS legal scope) <a href="#">EU RoHS Declaration</a>
Toxic heavy metal free	Yes
Mercury free	Yes
RoHS exemption information	<a href="#">Yes</a>
China RoHS Regulation	<a href="#">China RoHS Declaration</a>
Environmental Disclosure	<a href="#">Product Environmental Profile</a>
WEEE	The product must be disposed on European Union markets following specific waste collection and never end up in rubbish bins.

Approximate Dimensions



Connections and Wiring Diagrams



Product Life Status : Commercialised