



*Quality Products. Service Excellence.*

## Modulation Transformers *2000 Series*



### Features:

- Sealed "gapped" core modulation transformer design
- Minimum frequency response of 150- 7000 Hz.
- Range of secondary taps for a variety of tube types
- The tapped secondary winding carries full class C plate current



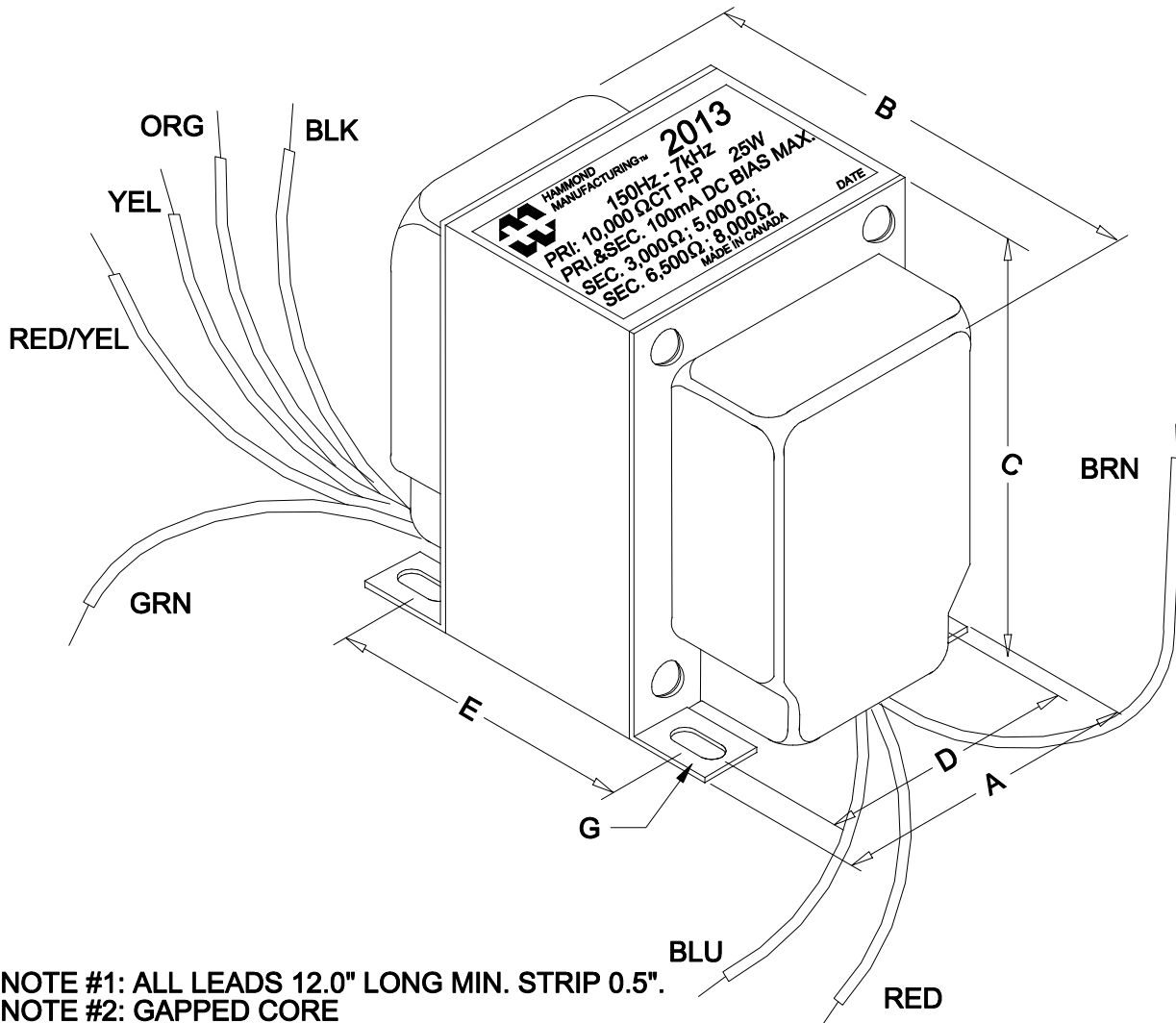
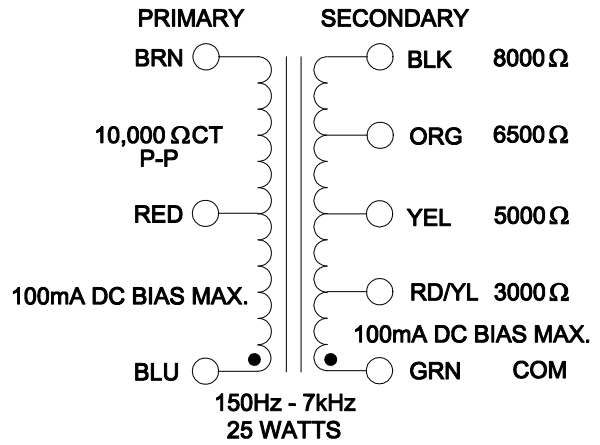
### Parts

Part Number	Typical Modulation Push-Pull Tube Types	Watts	Primary Impedance (ohms)	Secondary Impedance (ohms)	Max. Secondary Current (DC)
2013	6V6, 6L6, 807, 5881, EL34	25	10000 C.T.	3000, 5000, 6500, 8000	100 mA

*Data subject to change without notice*

© 2020. Hammond Manufacturing Ltd. All rights reserved.

DIMENSIONS:	
A	2.500" ±0.063
B	2.750" ±0.125
C	3.060" ±0.063
D	2.000" ±0.063
E	1.688" ±0.063
G	0.203" X 0.375" ±0.015



NOTE #1: ALL LEADS 12.0" LONG MIN. STRIP 0.5".  
NOTE #2: GAPPED CORE



**ELECTRONIC DIVISION**  
52 RANKIN PLACE,  
WATERLOO, ONTARIO, N2J 3Z5  
PH # (519) 886-6181  
FAX # (519) 886-9540

TITLE  
**PLATE MODULATION TRANSFORMER**  
(EQUIVALENT TO STANCOR A-3845)

NO	DATE	REVISION	DWG. BY
0	02/04/16	RELEASED.	C.I. CORINA ILIE
			DATE
			02/04/16
			DIM IN( )MM( )

2013