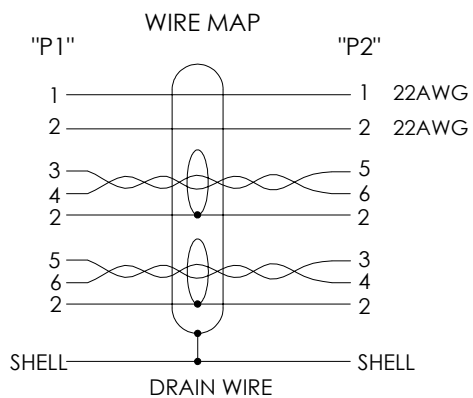
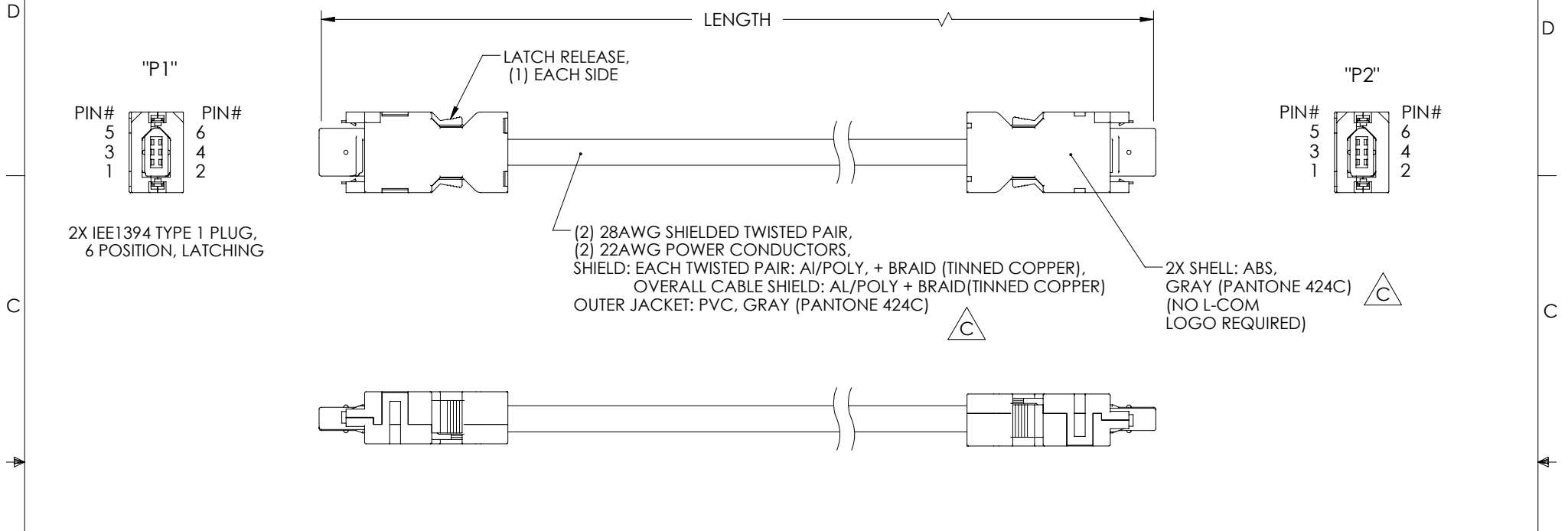


THE INFORMATION CONTAINED IN THIS DRAWING IS THE SOLE PROPERTY OF L-COM, INC. ANY REPRODUCTION IN PART OR WHOLE WITHOUT THE WRITTEN PERMISSION OF L-COM, INC. IS PROHIBITED.

REVISIONS			
REV	DESCRIPTION	DATE	APPROVED
A	INITIAL RELEASE	9/2/08	D.GRIFFIN
B	ECN 4119: CN RELEASE	7/9/09	D. CASTRO
C	ECN 7529: CHG'S PANTONE TO 424C FROM 422C, UPDATED FORMAT & ROHS	7/23/14	D. CASTRO



MODEL NUMBER	LENGTH	
	METERS	FEET
CSM94L-05M	0.5	1.64
CSM94L-1M	1.0	3.28
CSM94L-2M	2.0	6.56
CSM94L-3M	3.0	9.84
CSM94L-5M	5.0	16.40

NOTES:

1. CABLE ASSEMBLIES CONSTRUCTED TO MEET THE REQUIREMENTS OF THE IEEE-1394 (FIREWIRE) SPECIFICATION.
2. CABLE SHALL BE TESTED FOR CONTINUITY.
3. CABLE SHALL BE INDIVIDUALLY PACKAGED IN ACCORDANCE WITH L-COM SPEC PS-0031.



REGULATORY COMPLIANCE:
CE2011/65/EU (RoHS DIRECTIVE)

UNLESS OTHERWISE SPECIFIED, DIMENSIONS ARE IN INCHES [mm] OVERALL CABLE LENGTH TOLERANCE: ≤12 [305] = +1 [25] / -0 >12 [305] ≤60 [1524] = +2 [51] / -0 >60 [1524] ≤120 [3048] = +4 [102] / -0 >120 [3048] ≤300 [7620] = +6 [152] / -0 >300 [7620] = +5% / -0%	APPROVALS	DATE		45 BEECHWOOD DRIVE NORTH ANDOVER, MA 01845
	DRAWN BY E. STAUBLE	2008.08.29		CATEGORY
ALL OTHER DIMENSIONAL TOLERANCES: .X = ± .2 [5.08] .XX = ± .02 [1.51] .XXX = ± .005 [1.13]	CHECKED BY D. FRISIELLO	2008.08.29	PRODUCT DESCRIPTION	CBL, 1394 TYPE 1/1 LATCH
PROJECTION	APPROVED BY S. SMITH	2008.08.29	SIZE A	FSCM NO. 43321
	CONFIGURATION DETAILS OF UNDIMENSIONED FEATURES MAY VARY	COLOR VARIATIONS MAY OCCUR	DWG. NO. CSM94L	REV. C
			SCALE: NONE	CAD FILE: CSM94L.SLDDRW
				SHEET 1 OF 1