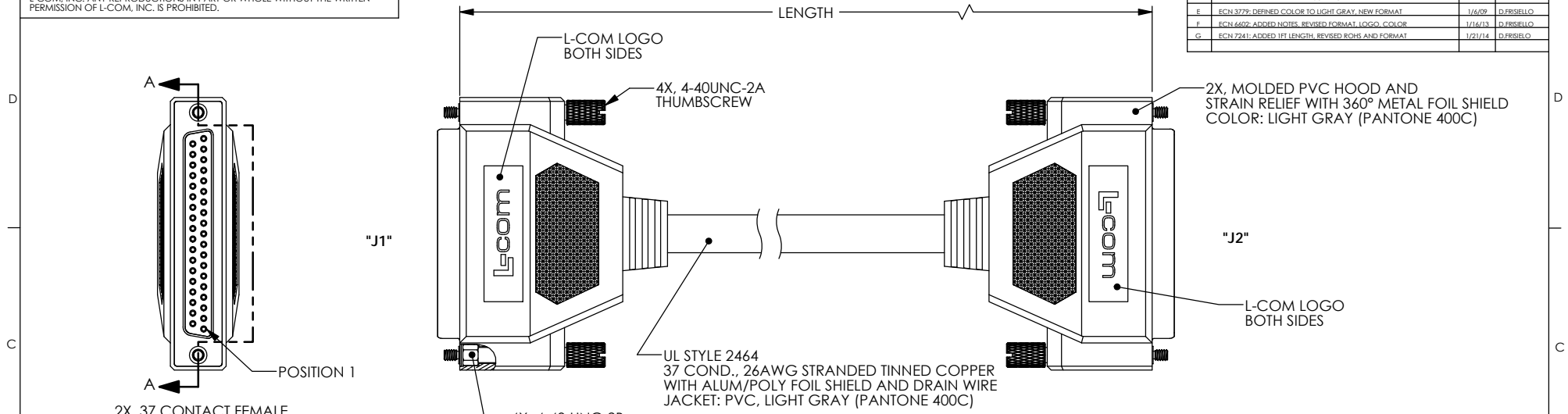
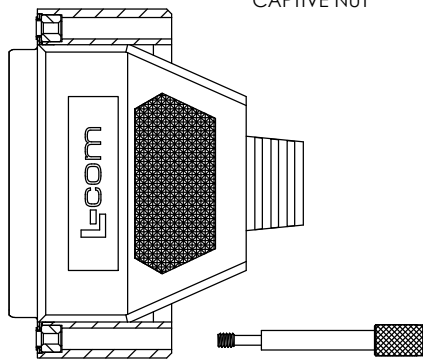


THE INFORMATION CONTAINED IN THIS DRAWING IS THE SOLE PROPERTY OF L-COM, INC. ANY REPRODUCTIONS IN PART OR WHOLE WITHOUT THE WRITTEN PERMISSION OF L-COM, INC. IS PROHIBITED.

REVISIONS			
REV	DESCRIPTION	DATE	CHANGED BY
E	ECN 3779: DEFINED COLOR TO LIGHT GRAY, NEW FORMAT	1/6/09	D.FRISIELLO
F	ECN 6692: ADDED NOTES, REVISED FORMAT, LOGO, COLOR	1/16/13	D.FRISIELLO
G	ECN 7241: ADDED 1FT LENGTH, REVISED ROHS AND FORMAT	1/21/14	D.FRISIELLO



2X, 37 CONTACT FEMALE, D-SUB CONNECTOR GOLD PLATED CONTACTS



SECTION A-A

SUPPLIED WITH THUMBSCREWS IN PLACE.
NOTE: SUPPLIED WITH OPTIONAL USE HARDWARE AND INSTRUCTIONS.
CABLE INTERCONNECTION HARDWARE: (4) SCREWLOCKS, H= .191"
PANEL MOUNT HARDWARE: (4) SCREWLOCKS, H= .160"

WIRING MAP					
"J1"	WIRE COLOR	"J2"	"J1"	WIRE COLOR	"J2"
1	BLACK	1	20	RED / BLACK	20
2	BROWN	2	21	ORANGE / BLACK	21
3	RED	3	22	YELLOW / BLACK	22
4	ORANGE	4	23	GREEN / BLACK	23
5	YELLOW	5	24	GRAY / BLACK	24
6	GREEN	6	25	PINK / BLACK	25
7	BLUE	7	26	PINK / RED	26
8	PURPLE	8	27	PINK / BLUE	27
9	GRAY	9	28	PINK / GREEN	28
10	WHITE	10	29	LIGHT BLUE	29
11	PINK	11	30	LIGHT BLUE / BLACK	30
12	LIGHT GREEN	12	31	LIGHT BLUE / RED	31
13	BLACK / WHITE	13	32	LIGHT BLUE / BLUE	32
14	BROWN / WHITE	14	33	LIGHT BLUE / GREEN	33
15	RED / WHITE	15	34	GRAY / RED	34
16	ORANGE / WHITE	16	35	GRAY / GREEN	35
17	GREEN / WHITE	17	36	PURPLE / BLACK	36
18	BLUE / WHITE	18	37	BLUE / BLACK	37
19	PURPLE / WHITE	19	SHELL	DRAIN WIRE	SHELL

PART NUMBER	LENGTH	
	FEET	METERS
CRMN37FF-1	1.0	0.31
CRMN37FF-2.5	2.5	0.76
CRMN37FF-5	5.0	1.52
CRMN37FF-10	10.0	3.05
CRMN37FF-15	15.0	4.57
CRMN37FF-25	25.0	7.62

NOTES:

1. CABLE ASSEMBLY SHALL BE TESTED FOR CONTINUITY.
2. CABLE ASSEMBLY SHALL BE INDIVIDUALLY PACKAGED IN ACCORDANCE WITH L-COM SPECIFICATION PS-0031.

REGULATORY COMPLIANCE:
CE2011/65/EU(RoHS DIRECTIVE)

UNLESS OTHERWISE SPECIFIED, DIMENSIONS ARE IN INCHES (mm)
OVERALL CABLE LENGTH TOLERANCE:
≤12 (305) ≤±1 (25) / 0
≥12 (305) ≤±1 (305) ±0.015 (0.38)
≥12 (305) ≤±2 (508) ±0.020 (0.51)
≥12 (305) ≤±3 (762) ±0.025 (0.64)
≥300 (7620) ±0.05 (1.27)
ALL OTHER DIMENSIONAL TOLERANCES:
X = ±2 (508)
XX = ±12 (305)
XXX = ±0.05 (1.27)

APPROVALS	DATE
DRAWN BY I CLARK	1/12/2003
CHECKED BY D PARHAM	1/29/2003
APPROVED BY R CARRICK	1/29/2003

L-com Global Connectivity 45 BEECHWOOD DRIVE NORTH ANDOVER, MA 01845

CATEGORY	D-SUBMINIATURE		
PRODUCT DESCRIPTION	CABLE, DB37F/F REVERSIBLE HDWR		
SIZE	PSCM NO.	DWG. NO.	REV.
B	43321	CRMN37FF	G
SCALE: 1:1	CAD FILE: CRMN37FF.SLDWR	SHEET 1 OF 1	

