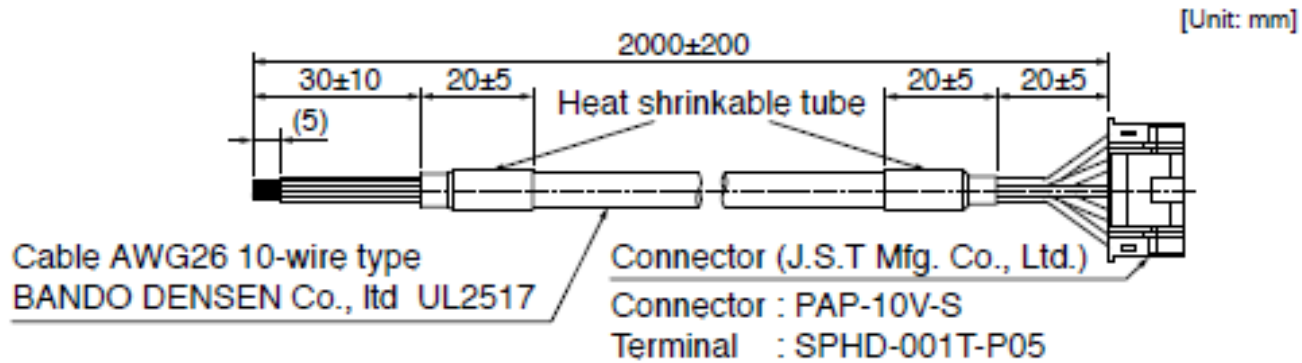


Control signal cable DV0PM20076 (cable with an I/O connector) for MINAS BL series



Pin assignment for
GV, KV types

Terminal number	Terminal symbol	Terminal name
1	I1 ¹	Signal input 1
2	I2 ¹	Signal input 2
3	I3 ¹	Signal input 3
4	I4 ¹	Signal input 4
5	I5 ¹	Signal input 5
6	GND ³	Signal ground
7	FIN	For speed setting Input
8	+5V	The power supply for external speed setting
9	O1 ¹	Signal output 1
10	O2 ¹	Signal output 2

Pin assignment for
GP types

Terminal number	Terminal symbol	Terminal name
1	I1 ¹	Signal input 1
2	I2 ¹	Signal input 2
3	I3 ¹	Signal input 3
4	(NC)	—
5	I4 ¹	Signal input 4
6	GND	Control ground
7	(NC)	—
8	+5V	Power supply
9	O1 ¹	Signal output 1
10	O2 ¹	Signal output 2

• PAP-10V-S

