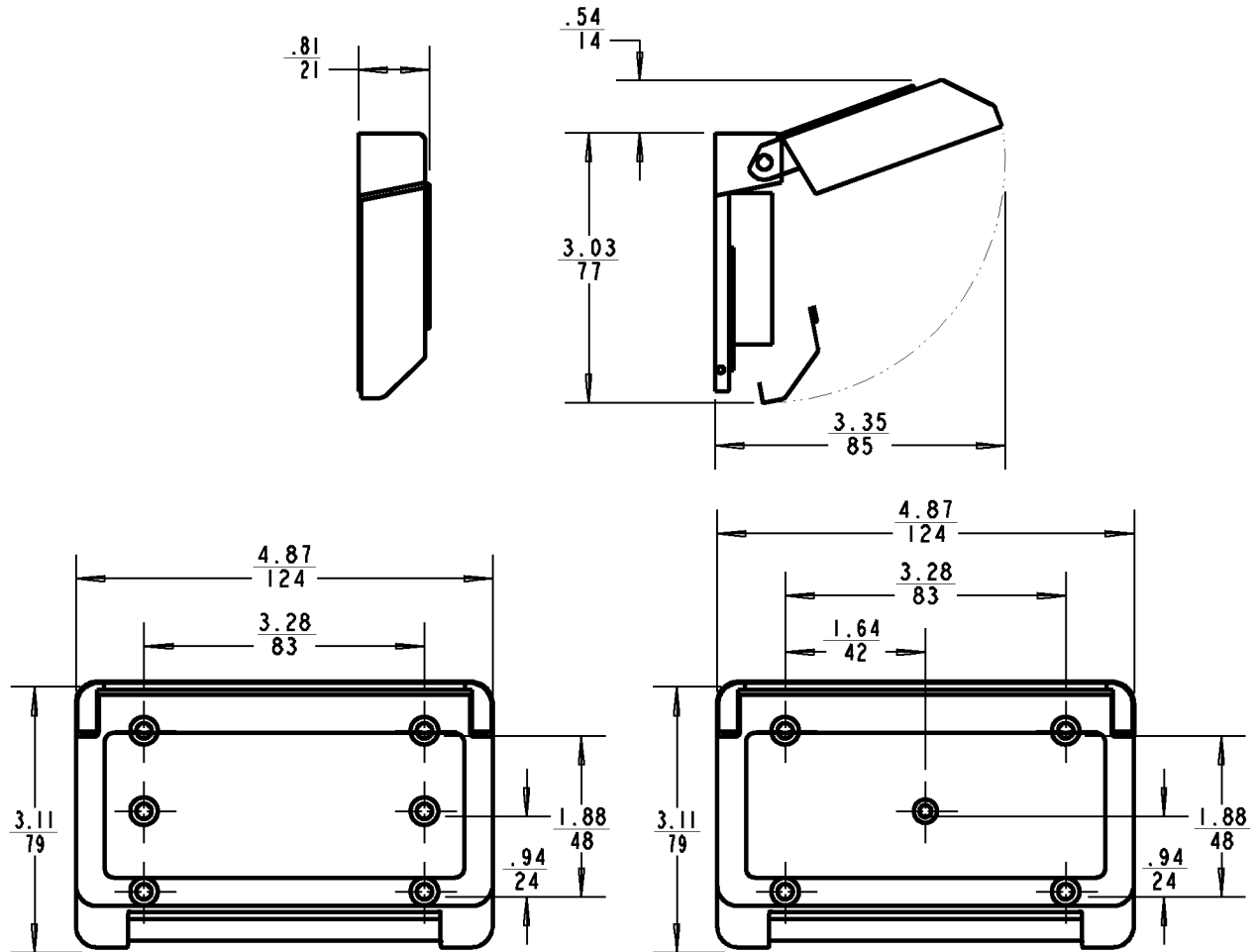


Carlton®



GFI
VERSION

DUPLEX
VERSION

PART NO.	STYLE	COLOR	MATERIAL
E98DHGN-CAR	DUPLEX	GRAY	LEXAN
E98DHGM-CAR	DUPLEX	WHITE	LEXAN
E98GHGN-CAR	GFI	GRAY	LEXAN
E98GHGM-CAR	GFI	WHITE	LEXAN

GENERAL NOTES

- ALL DIMENSIONS ARE FOR REFERENCE ONLY.
- DIMENSIONS IN BRACKETS [] ARE IN METRIC UNITS.

REVISIONS

SEE ERN (****) FOR APPROVAL SIGNATURES & RELEASE DATE.
PROJECT NO: ****

Thomas & Betts
www.tnb.com

DESCRIPTION: **WEATHERPROOF COVER - HORIZONTAL**

ORIGINAL PROJECT NO / (ERN NO)

/ ()

SHEET NO:

1 OF 1

REV. NO:

C

DRAWING NO:

WSD-AC02260