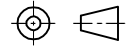



CABLE LENGTH	TOLERANCE*
ALL LENGTHS	+ 4% (OR 50mm) OF LENGTH - 0% (OR 0mm) OF LENGTH WHICHEVER IS GREATER
STRIP LENGTH	TOLERANCE*
0-7mm	±0.5mm
8-29mm	±1.0mm
30-49mm	±2.0mm
50-69mm	±3.0mm
70-100mm	±4.0mm
OVER 100mm	±5.0mm

\* UNLESS OTHERWISE SPECIFIED

NOTES:  
1. "\*" DESIGNATES CABLE LENGTH IN METERS. CONTACT TURCK TO ORDER SPECIFIC LENGTHS.

SOURCE DRAWING - FOR REFERENCE ONLY

RELATED DOCUMENTS 1. 2. 3. 4.	3RD ANGLE PROJECTION 	THIS DRAWING IS CONFIDENTIAL AND THE PROPERTY OF TURCK INC. USE OF THIS DOCUMENT WITHOUT WRITTEN PERMISSION IS PROHIBITED.	<div style="text-align: right;">  <p>3000 CAMPUS DRIVE MINNEAPOLIS, MN 55441 1-800-544-7769 (763) 553-7300 (763) 553-0708 fax www.turck.us</p> </div>	<table border="1" style="width:100%; border-collapse: collapse;"> <tr> <td>DRFT</td> <td>RDS</td> <td>DATE</td> <td>03/15/13</td> <td rowspan="2">DESCRIPTION VIS 2-B653-*M-SB 3T</td> </tr> <tr> <td>APVD</td> <td>R.D.</td> <td>SCALE</td> <td>1=1.3</td> </tr> <tr> <td colspan="4" style="text-align: center;">UNIT OF MEASUREMENT</td> <td rowspan="2">IDENTIFICATION NO.</td> </tr> <tr> <td colspan="4" style="text-align: center;"><b>MILLIMETER [ INCH ]</b></td> </tr> </table>	DRFT	RDS	DATE	03/15/13	DESCRIPTION VIS 2-B653-*M-SB 3T	APVD	R.D.	SCALE	1=1.3	UNIT OF MEASUREMENT				IDENTIFICATION NO.	<b>MILLIMETER [ INCH ]</b>			
DRFT	RDS	DATE	03/15/13	DESCRIPTION VIS 2-B653-*M-SB 3T																		
APVD	R.D.	SCALE	1=1.3																			
UNIT OF MEASUREMENT				IDENTIFICATION NO.																		
<b>MILLIMETER [ INCH ]</b>																						
MATERIAL SEE SPECIFICATIONS	ALL DIMENSIONS DISPLAYED ON THIS DRAWING ARE FOR REFERENCE ONLY	DO NOT SCALE THIS DRAWING			REV A																	
FINISH SEE SPECIFICATIONS					CONTACT TURCK FOR MORE INFORMATION	FILE: 777031387	SHEET 1 OF 1															

A	DRAWING RELEASE	RDS	04/08/13	
REV	DESCRIPTION	BY	DATE	ECO NO.