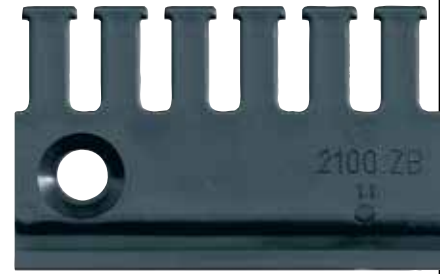


## Characteristics of igus® chainfix tiewrap plate Series 2000

### Option 1A: Tiewrap plate as single part

- Available as individual component
- Screwed on KMA\* with profile rail (\*polymer metal mounting bracket)
- Can be stacked onto the mounting bracket
- Can be used at the end of the e-chain® or within electrical cabinets
- Accessory for igus® e-chain systems®



For Series:

#### E-Z Chain®

- E200/Z200

#### System E2/000

- 1400/1500/1450/1480
- 2400/2500/2450/2480
- 255

#### System E2 Tubes

- R117/R118
- R48

#### System E4-1

- E4-21

#### System E6

- E6-29/R6-29
- E6-35
- E6-40

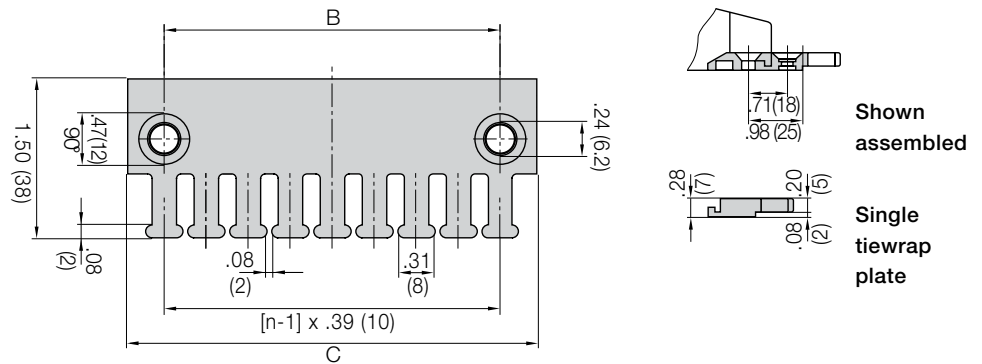
#### System E6-1

- E61-29

## Tiewrap plates as an individual part

Available as an individual component or can be fixed onto a mounting bracket with the use of a profile rail.

### Series 2000



Shown  
assembled

Single  
tiewrap  
plate

Tiewrap Plates	n Number of Teeth	Dimension C	Dimension B	
2020-ZB	3	1.18 (30)	.59 (15)	
2030-ZB	4	1.57 (40)	.79 (20)	
2040-ZB	5	1.97 (50)	1.18 (30)	
2050-ZB	6	2.36 (60)	1.57 (40)	
2070-ZB	8	3.15 (80)	2.36 (60)	
2090-ZB	9	3.54 (90)	2.76 (70)	= 2030-ZB + 2040-ZB combined
2100-ZB	10	3.94 (100)	3.15 (80)	
2125-ZB	12	4.72 (120)	3.94 (100)	= 2050-ZB x 2 pieces combined

If used with KMA brackets with profile rail please add "KMA" to the end of the part number.

Example: 2020-ZBKMA

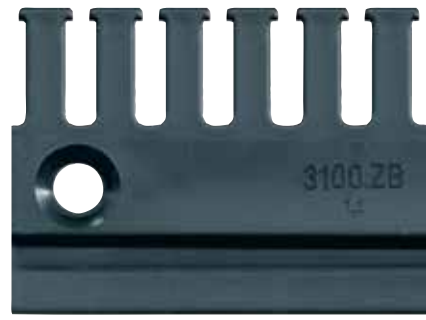
## Cable tiewraps as individual parts

Cable tiewraps 100 pieces/bag	Width x Length		Maximum Ø		Tensile Strength	
	in.	(mm)	in.	(mm)	lbs	(N)
CFB-001	.19 x 5.91	(4.8 x 150)	1.42	(36)	50	(222)

## Characteristics of igus® chainfix tiewrap plate Series 3000

### Option 1B: Tiewrap plate as single part

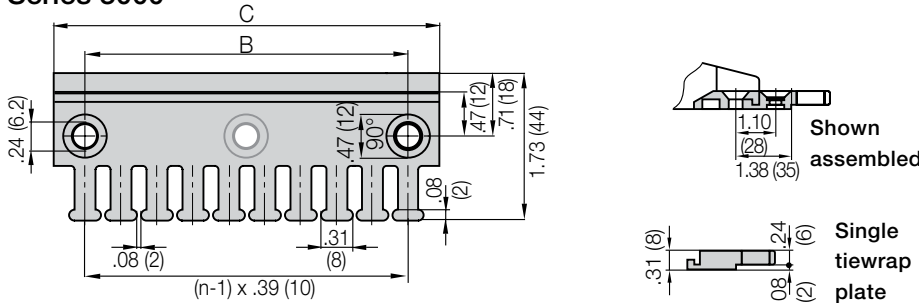
- Available as individual component
- Screwed on KMA\* with profile rail (\*polymer metal mounting bracket)
- Can be stacked onto the mounting bracket
- Can be used at the end of the e-chain® or within electrical cabinets
- Accessory for igus® e-chain systems®



## Tiewrap plates as an individual part

Available as an individual component or can be fixed onto a mounting bracket with the use of a profile rail.

### Series 3000



Tiewrap Plate	n Number of Teeth	C Overall Width in. (mm)	B Bore Width in. (mm)	Center Bore
3050-ZB	5	1.97 (50)	1.18 (30)	no
3075-ZB	7	2.95 (75)	2.16 (55)	no
3100-ZB	10	3.94 (100)	3.15 (80)	no
3115-ZB	11	4.53 (115)	3.74 (95)	no
3125-ZB	12	4.92 (125)	4.13 (105)	no
3150-ZB	15	5.91 (150)	5.12 (130)	no
3175-ZB	17	6.89 (175)	6.10 (155)	no
3200-ZB	20	7.87 (200)	7.09 (180)	yes
3225-ZB	22	8.86 (225)	8.07 (205)	yes
3250-ZB	25	9.84 (250)	9.06 (230)	yes

If used with KMA brackets with profile rail please add "KMA" to the end of the part number.  
Example: 3050-ZBKMA

## Cable tiewraps as individual parts

Cable tiewraps 100 pieces/bag	Width x Length		Maximum Ø		Tensile Strength	
	in.	(mm)	in.	(mm)	lbs	(N)
CFB-001	.19 x 5.91	(4.8 x 150)	1.42	(36)	50	(222)



For Series:

### E-Z Chain®

- E26/Z26
- E300/Z300

### System E2/000

- 2600/2700/2650/2680
- 3400/3500/3450/3480

### System E4-1

- E4-32/H4-32/R4-32
- E4-42/H4-42/R4-42
- E4-56/H4-56/R4-56
- E4-80/H4-80/R4-80
- E4-112/H4-112/R4-112

● 800

● 840

### System E4-1 Light

- E4-38L/R4-38L
- E4-48L/R4-48L

### System E4/light

- 14040/14140/R18840
- 15050/15150/R19850
- 14240/14340
- 1640

### System E6

- E6-52/R6-52
- E6-62
- E6-80L / E6-80



## Characteristics of igus® Chainfix tiewrap plate

### Option 1: With clip-on connection for the profile rail

- Can be clipped onto KMA profile rail
- Easy to assemble without any screws
- Easy to remove with screwdriver
- Can be used at the end of the e-chain® or within electrical cabinets
- Accessory for igus® e-chain systems®



### Option 1 - Tiewrap plate for profile rail

Part No.	Number of Teeth	Width of Strain Relief	
		in.	(mm)
3050-ZC	5	1.97	(50)
3075-ZC	7	2.95	(75)



#### Tiewrap plates for profile rail

For all mounting brackets  
with profile rail option

## Characteristics of igus® Chainfix tiewrap plate

### Option 2: integrated strain relief for E2 e-tubes - Series R

- Strain relief is hidden within the e-tube
- Easy to assemble without any screws
- Can be used at the end of the e-chain® or within electrical cabinets
- Accessory for igus® e-chain systems®



### Option 2 - Tiewrap plate for E2 e-tubes Series R

Part No.	Width		Number of teeth	For Series	
	fixed crossbar	in.			(mm)
3050-Z		1.97	(50)	5	R68
3075-Z		2.95	(75)	7	R68
5850-Z		1.81	(46)	4	R58



#### e-tubes Series R

- R58
- R68

## Characteristics of igus® Chainfix tiewrap plates

### Option 3: for fixed crossbars

- Can be fitted to fixed and opening crossbars
- For use with various cable assemblies
- Strain relief on two levels
- Easy to assemble without any screws
- Accessory for igus® e-chain systems®



### Option 3 - Tiewrap plate for fixed crossbars

Part No. fixed crossbar	Width		Number of teeth	For Series
	in.	(mm)		
2050-Z	2.36	(60)	6	E/Z200, 2400/2500, 2600/2700
3050-Z	1.97	(50)	5	3400/3500
3075-Z	2.91	(74)	7	3400/3500



For Series:

#### E-Z Chain®

- E200/Z200

#### System E2/000

- 2600/2700/2650/2680
- 3400/3500/3450/3480

PDF: [igus.com/e-chain-pdfs](https://igus.com/e-chain-pdfs)  
Product information: [igus.com/e-chains](https://igus.com/e-chains)



## Characteristics of igus® Chainfix tiewrap plates

### Option 4: for opening crossbars

- Can be fitted to fixed and opening crossbars
- For use with various cable assemblies
- Strain relief on two levels
- Easy to assemble without any screws
- Accessory for igus® e-chain systems®



## Option 4 - Tiewrap plate for opening crossbars

Part No. opening crossbar	Width		Number of teeth	For Series
	in.	(mm)		
2050-Z	2.36	(60)	6	2600/2700/2650, E4-28, E61-52, E6-52
3035-ZS	1.38	(35)	3	3400/3500/3450
3050-ZS	1.97	(50)	5	3400/3500/3450
3075-ZS	2.91	(74)	7	3400/3500/3450
3850-ZS	1.89	(48)	5	E4/H4/R4-32, E4/H4/R4-42, 14240/14340, 15250/15350, E61-62, E6-62
4550-ZS	1.89	(48)	5	E4/H4/R4-56, E4/H4/R4-.80, E4/R4-.112, 14040/14140/R18840, 14550/14650/19050 15050/15150/R19850, E61-80, E6-80L, E6-80, 1640/R1608
4575-ZS	2.91	(74)	7	E4/H4/R4-56, E4/H4/R4-80, E4/R4-112, 14040/14140/R18840, 14550/14650/19050 15050/15150/R19850, E61-80, E6-80L, E6-80, 1640/R1608
C622-100-ZS	3.15	(80)	8	E4-38L, E4-48L



For Series:

### System E2/000

- 2600-2700/2650
- 3400/3500/3450

### System E4-1

- E4-28
- E4-32/H4-32/R4-32
- E4-42/H4-42/R4-42
- E4-56/H4-56/R4-56
- E4-80/H4-80/R4-80
- E4-112/R4-112

### System E4-1L

- E4-38L
- E4-48L

### System E4/light

- 14040/14140/R18840
- 14240/14340
- 14550/14650/R19050
- 15050/15150/R19850
- 15250/15350
- 1640/R1608

### System E6

- E6-52/R6-52
- E6-62
- E6-80L
- E6-80

### System E6-1

- E61-52