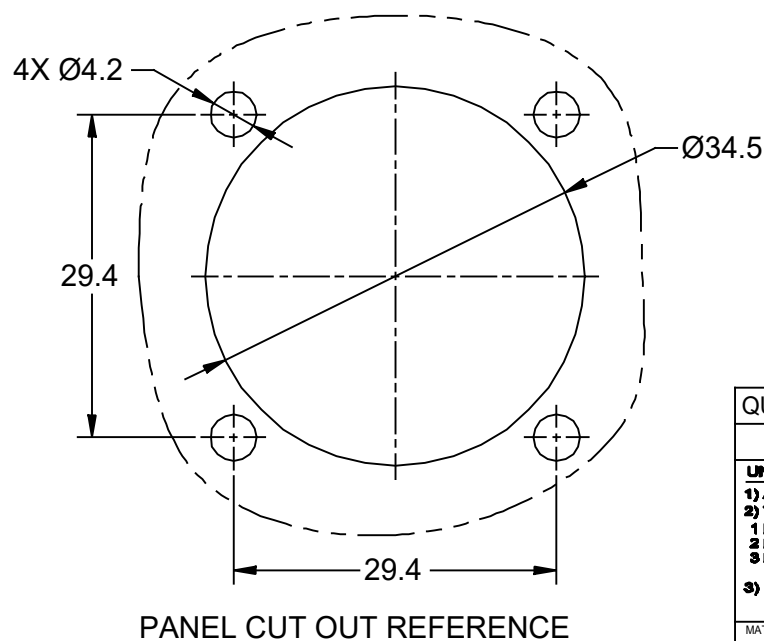
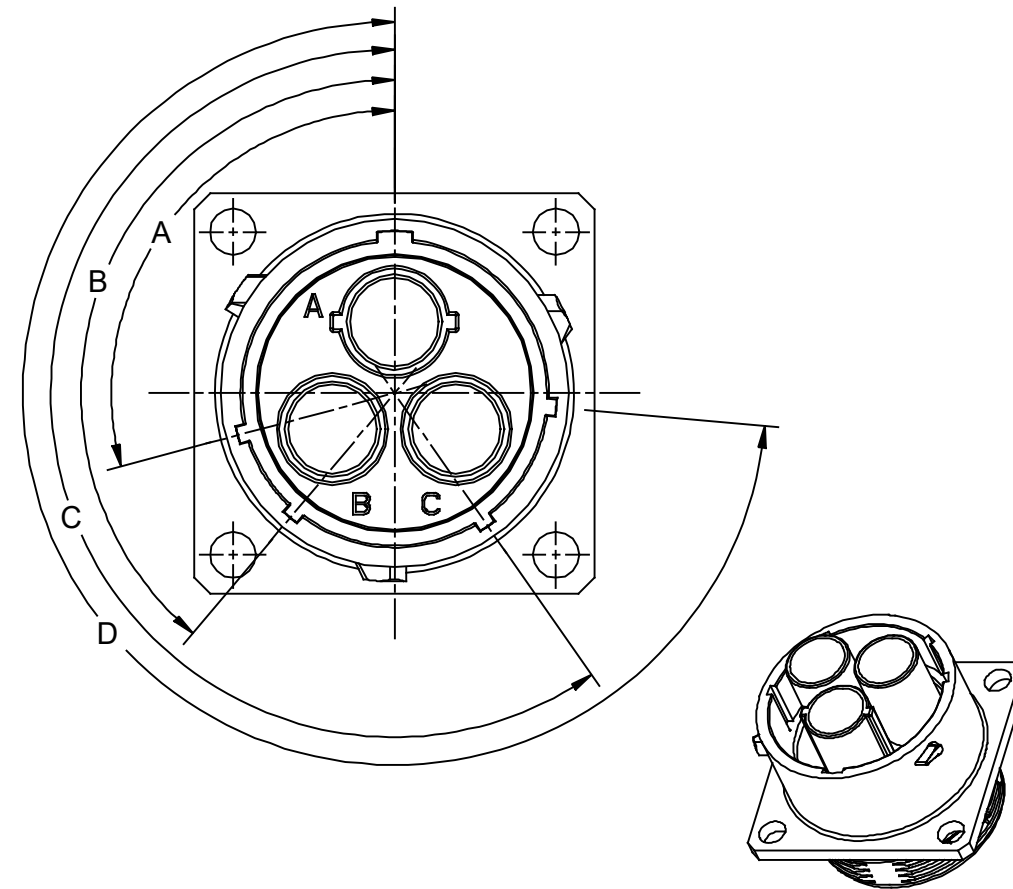
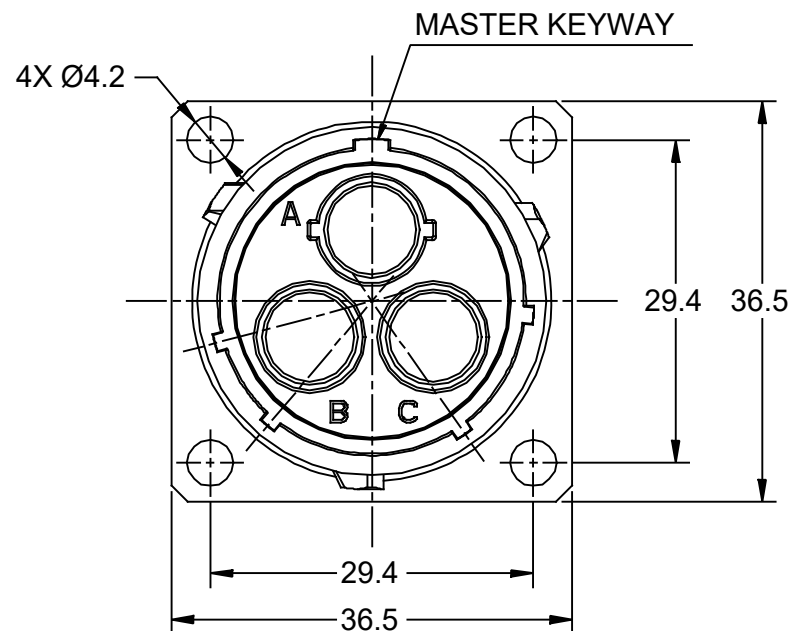
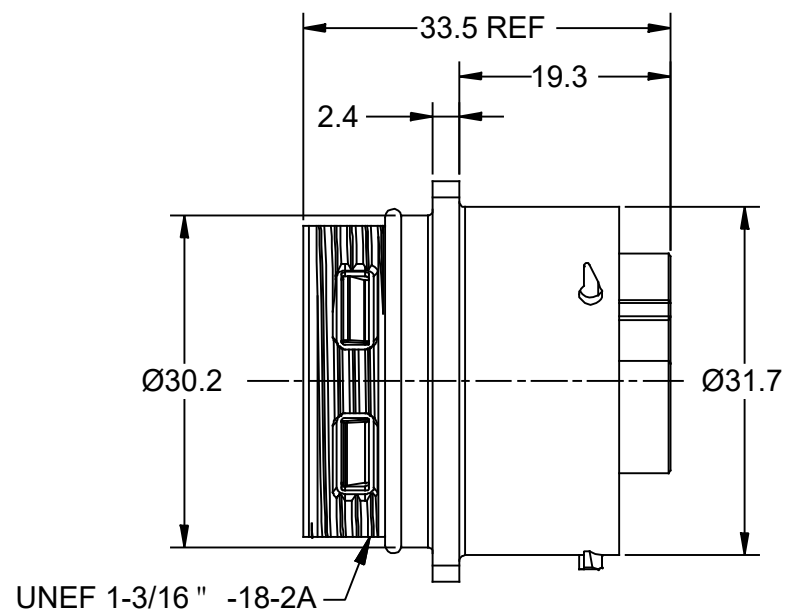


REVISIONS					
REV	ECO	DESCRIPTION	DATE	BY	APPR
A1	-	RELEASED DRAWING	Sep-25-2020	Ronald	Tommy



KEY POS	PART NUMBER	A	B	C	D
N	RTHP0203SNH	105°	140°	215°	265°
W	RTHP0203SWH	79°	140°	215°	265°
X	RTHP0203SXH	105°	126°	215°	265°
Y	RTHP0203SYH	105°	140°	215°	259°
Z	RTHP0203SZH	105°	140°	215°	330°

**NOTES:**

- MATERIAL:
  - HOUSING BODY: ZINC DIE- CAST, NICKEL PLATED
  - INSULATION INSERT: PA66 ,UL94 V0
  - SEAL: SILICONE RUBBER
- SPECIFICATIONS:
  - CURRENT RATING: 86 AMPS MAX.
  - VOLTAGE RATING: 630 V A C/DC
  - OPERATING TEMPERATURE: -40°C TO +125°C
  - DIELECTRIC WITHSTANDING VOLTAGE: LESS THAN 2 MILLIAMPS CURRENT LEAKAGE @ 5000 VOLTS A C
  - DEGREE OF PROTECTION: I P67 (MATED CONDITION)
  - DEGREE OF POLLUTION: 3 PER UL840
  - OVERVOLTAGE CATEGORY: I II PER UL840
  - MATING CYCLE DURABILITY : >100 CYCLES
  - RoHS COMPLIANT
- ALL DIMENSIONS ARE FOR REFERENCE USE ONLY.
- \*\*\* DENOTE KEY POSITION OF "N", "W", "X", "Y" OR "Z".

QUANTITY	PART NUMBER	DESCRIPTION	ITEM
<b>MATERIALS LIST</b>			
<b>UNLESS OTHERWISE SPECIFIED</b> 1) All dimensions are in metric (mm). 2) Tolerances are as follows: 1 PL DEC ±0.30 2 PL DEC ±0.15 3 PL DEC ±0.00 Fractions ±1/64 Angles ±1° 3) Note reference =		<b>SIGNATURES</b> DRAWN: <b>Ronald</b> Sep-25-2020 CHECKED: <b>Flan</b> Sep-27-2020 ENGINEER: APPROVAL: <b>Tommy</b> Sep-28-2020	
<b>MATERIAL SPECIFICATIONS:</b> THIS DRAWING IS SUPPLIED FOR INFORMATION ONLY. DESIGN FEATURE SPECIFICATIONS AND PERFORMANCE D SHOWN HEREON ARE THE PROPERTY OF THE AMPHENOL CORPORATION. NO RIGHT OF REPRODUCTION ARE IMPLIED. ALL DIMENSIONS ARE SUBJECT TO NORMAL MANUFACTURING VARIATIONS.		<b>Amphenol</b> Sine Systems - www.amphenol-sine.com 44724 Morley Drive Clinton Township, MI 48036	
<b>PROCESS SPECIFICATIONS:</b> NEXT ASSY:		3 Position Square Flange Receptacle, Female, Size 8 (3.6mm), Shell Size #20, High Amperage 630V <b>SIZE</b> TYPE DWG NO: <b>RTHP0203S*H</b> <b>REVISION</b> <b>A1</b> SCALE: NONE SHEET 1 OF 1	

TITLE: ECOMMATE HIGH AMP RECEPTACLE POS SIZE 20  
 DWG NO: RTHP0203S\*H  
 REV: A1  
 SH: 1  
 OF: 1