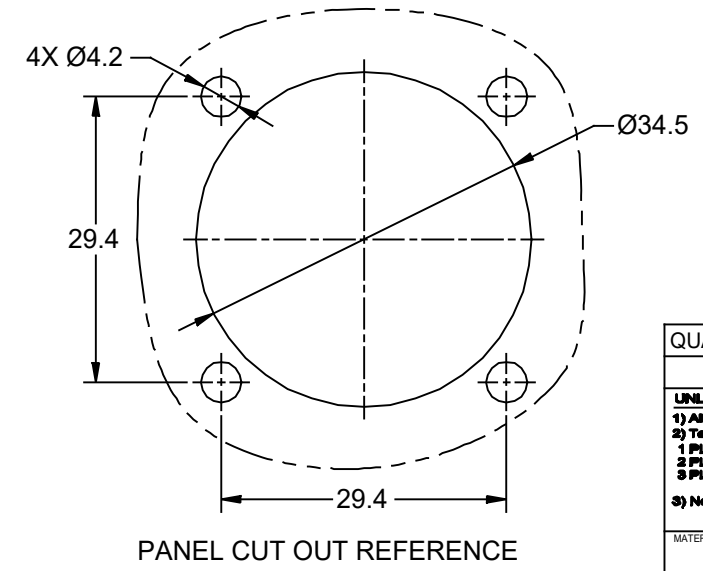
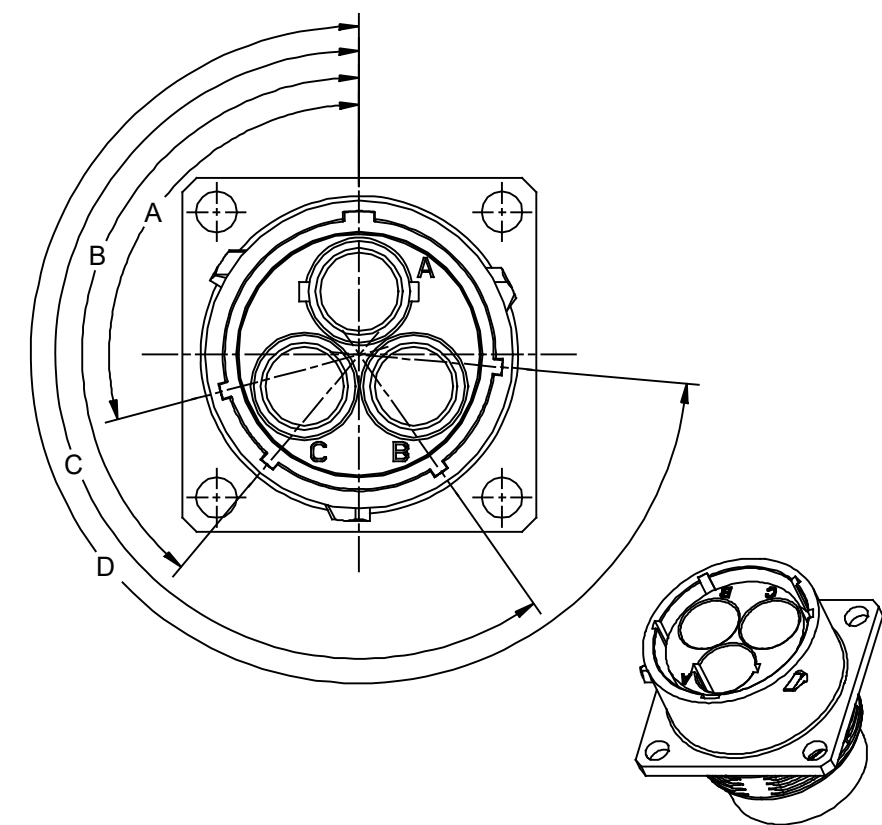
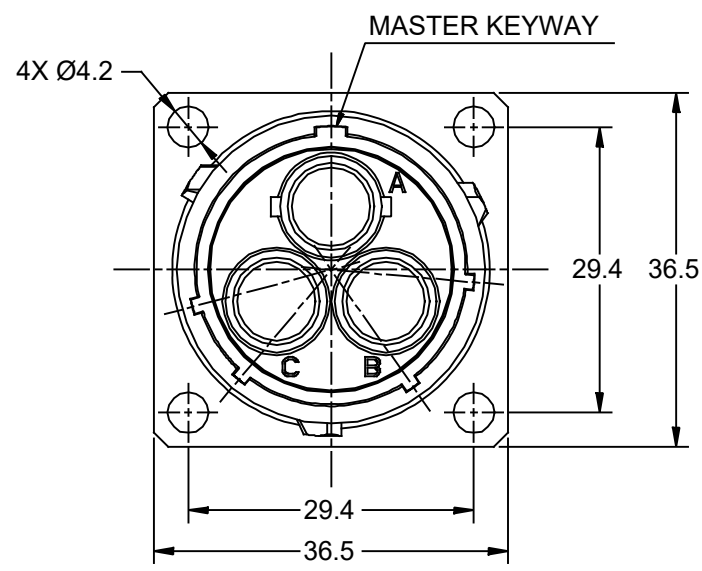
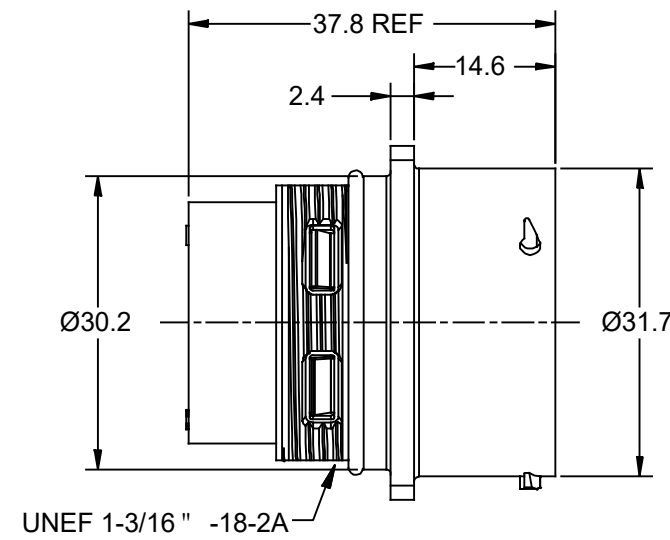


REVISIONS					
REV	ECO	DESCRIPTION	DATE	BY	APPR
A1	-	RELEASED DRAWING	Sep-25-2020	Ronald	Tommy



KEY POS	PART NUMBER	A	B	C	D
N	RTHP0203PNH	105°	140°	215°	265°
W	RTHP0203PWH	79°	140°	215°	265°
X	RTHP0203PXH	105°	126°	215°	265°
Y	RTHP0203PYH	105°	140°	215°	259°
Z	RTHP0203PZH	105°	140°	215°	330°

- NOTES:
- MATERIAL:
 - HOUSING BODY: ZINC DIE- CAST, NICKEL PLATED
 - INSULATION INSERT: PA66 ,UL94 V0
 - SEAL: SILICONE RUBBER
 - SPECIFICATIONS:
 - CURRENT RATING: 86 AMPS MAX.
 - VOLTAGE RATING: 630 V A C/DC
 - OPERATING TEMPERATURE: -40°C TO +125°C
 - DIELECTRIC WITHSTANDING VOLTAGE: LESS THAN 2 MILLIAMPS CURRENT IEAKAGE @ 5000 VOLTS AC
 - DEGREE OF PROTECTION: I P67 (MATED CONDITION)
 - DEGREE OF POLLUTION: 3 PER UL840
 - OVERVOLTAGE CATEGORY: I II PER UL840
 - MATING CYCLE DURABILITY : >100 CYCLES
 - RoHS COMPLIANT
 - ALL DIMENSIONS ARE FOR REFER ENCE USE ONLY.
 - *** DENOTE KEY POSTION OF "N ", "W", "X", "Y" OR "Z".

QUANTITY	PART NUMBER	DESCRIPTION	ITEM
MATERIALS LIST			
UNLESS OTHERWISE SPECIFIED 1) All dimensions are in metric(mm). 2) Tolerances are as follows: 1 PL DEC ±0.25 2 PL DEC ±0.15 3 PL DEC ±0.05 3) Note reference =		SIGNATURES DRAWN: Ronald Sep-25-2020 CHECKED: Tom Sep-27-2020 ENGINEER: APPROVAL: Tommy Sep-28-2020 CUSTOMER:	 Sine Systems - www.amphenol-sine.com 44724 Morley Drive Clinton Township, MI 48036 3 POSITION SQUARE FLANGE RECEPTACLE, SIZE 8 (3.6MM), MALE, SHELL SIZE #20, HIGH AMPERAGE 630V
MATERIAL SPECIFICATIONS:		THIS DRAWING IS SUPPLIED FOR INFORMATION ONLY. DESIGN FEATURE SPECIFICATIONS AND PERFORMANCE D SHOWN HEREON ARE THE PROPERTY OF THE AMPHENOL CORPORATION. NO RIG OF REPRODUCTION ARE IMPLIED. ALL DIMENSIONS ARE SUBJECT TO NORMAL MANUFACTURING VARIATIONS.	
PROCESS SPECIFICATIONS:		SIZE: B TYPE: C- DWG NO: RTHP0203P*H REVISION: A1 SCALE: NONE SHEET 1 OF 1	
NEXT ASSY:			

TITLE: **EQMATE MATH HIGH AMP, RECEPTACLE 3 POS, SIZE 20**
 DWG NO: **RTHP0203P*H**
 REV: **A1** SH: **1** OF: **1**