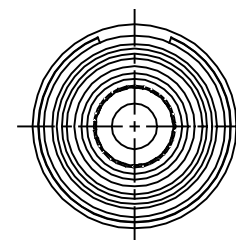
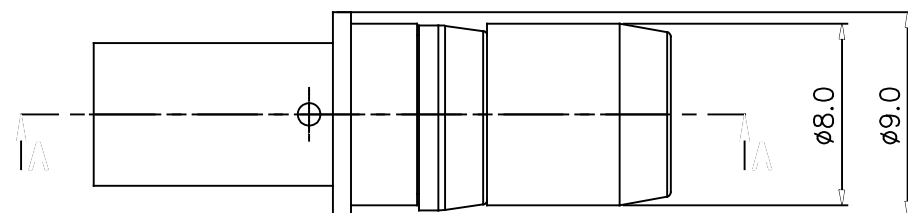
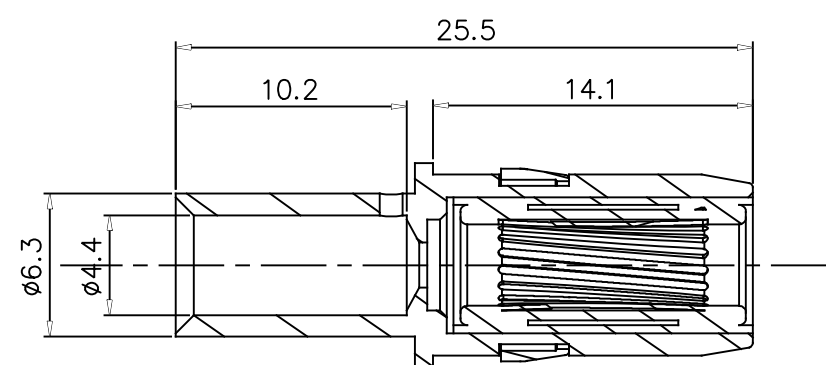


REVISIONS					
REV	ECO	DESCRIPTION	DATE	BY	APPR
B1	-	RELEASE NEW DWG FORMAT	Sep-30-2019	Flan	Tommy

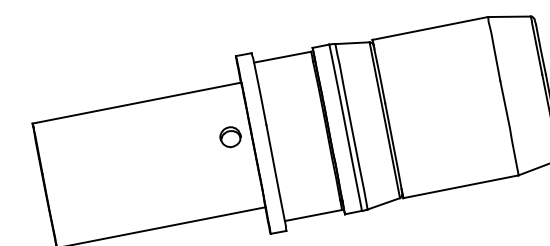


NOTES: (UNLESS OTHERWISE SPECIFIED)

- MATERIAL: COPPER ALLOY, SILVER PLATED
- SPECIFICATIONS:
 - RATED CURRENT: 45 A(MAX)
 - TERMINATION TYPE: CRIMPING
 - AVAILABLE WIRE RANGE: 2(8AWG)
 - RoHS COMPLIANT
- ALL DIMENSIONS ARE FOR REFERENCE USE ONLY.



SECTION A-A



SEE PART NUMBER CHART		DESCRIPTION	
QUANTITY	PART NUMBER	DESCRIPTION	
MATERIALS LIST			
<small>UNLESS OTHERWISE SPECIFIED: (1) All dimensions are in inches/mm. (2) Tolerances are as follows: 1 PL DEC ±0.00 Positions ±0.04 2 PL DEC ±0.15 Angles ±1° 3 PL DEC ±0.00 (3) Hole reference = </small>		Amphenol Sine Systems - www.amphenol-sine.com 44724 Morley Drive Clinton Township, MI 48036	
MATERIAL SPECIFICATIONS: PROCESS SPECIFICATIONS: NEXT ASSY:		SIGNATURES DATE DRAWN: Flan 8/30/19 CHECKED: Flan 8/30/19 ENGINEER: APPROVAL: Tommy 8/30/19 CUSTOMER: THIS DRAWING IS SUPPLIED FOR INFORMATION ONLY. DESIGN FEATURES, SPECIFICATIONS AND PERFORMANCE DATA SHOWN HEREON ARE THE PROPERTY OF THE AMPHENOL CORPORATION. NO RIGHTS OF REPRODUCTION ARE IMPLIED. ALL DIMENSIONS ARE SUBJECT TO NORMAL MANUFACTURING VARIATIONS.	
SIZE: B TYPE: C DWG NO: MSCARCS-10 PART NO: B1		SCALE: 2 : 1 SHEET 11 OF	

TITLE: DWG NO: MSCARCS-10 REV: D1 SH: 1 OF: 1