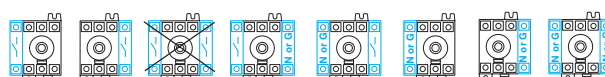


<b>Aux. Contacts</b>		<b>Auxiliary contacts</b>					
		Contact type	No. of contacts	Continuous amp rating	Voltage (Vac) rating	Max number of units per switch	Catalog no.
		NO + NC	1 Ea.			BAC01	
		NO	2	10	240	2 (1 per side/4 contacts total)	BAC02
<b>AND...</b>							
<b>Shrouds</b>		<b>Terminal shrouds - includes terminal shroud for both lineside and loadside</b>					
		Switch amps	Poles		Location on switch	Catalog no.	
		16-40	1 (for switched 4th pole)			TSH1-1TB	
		16-40			Lineside and loadside	TSH1-3TB	
		63-80	3			TSH2-3TB	
<b>AND...</b>							
<b>4<sup>th</sup> pole</b>		<b>Switched 4th pole - converts 3-pole switch to 4-pole switch</b>					
		Switch amps					Catalog no.
		16					POLE-16
		25					POLE-25
		40					POLE-40
<b>AND...</b>							
<b>Gnd./neut. mods</b>		<b>Ground and Neutral Modules - provides unswitched ground or neutral pole - conforms to IEC 60947-3</b>					
		Switch amps	Module Type			Catalog no.	
		16-40	Ground			GND-16-40	
		63-80	Ground			GND-63-80	
		16-40	Neutral			NTRL-16-40	
		63-80	Neutral			NTRL-63-80	
<b>AND...</b>							
<b>6 pole kit</b>		<b>6-pole conversion kit - creates a 6-pole switch by ganging two 3-pole switches of equal rating</b>					
		Switch amps					Catalog no.
		All switches					<b>KIT-6POLE*</b>
		* Kit ships with a direct handle. If external handle is needed order a selector handle and shaft for the UL 508 Rotary Disconnect Switches.					
		Note: To create an 8-pole switch from 16 to 40 amp switches, use two 3-pole switches of equal ratings plus two switched 4th poles (part # POLE-). Order switches separately					

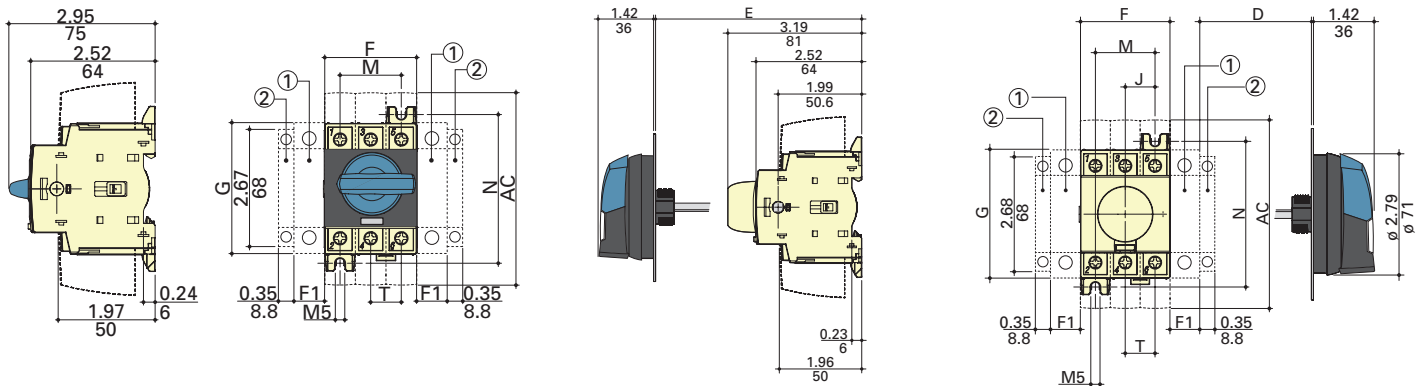


Auxiliary contact configurations



Ground and neutral module, and switched 4<sup>th</sup> pole configurations.

### Dimensions — in (mm)



Direct handle operation

External front operation

External side operation

1. Position for 1 switched 4<sup>th</sup> pole (1 per device max.), or ground or neutral module (2 per device max.) or 1 auxiliary contact.
  2. Position for 1 auxiliary contact only.
- Note: Maximum of 4 Auxiliary contacts, or 3 Auxiliary contacts + one ground or neutral module, or one switched 4<sup>th</sup> pole.

Switch amps	Overall dimensions				Terminal shroud AC	Switch body				Switch mounting			Connection T
	D min	D max	E min	E max		F	F1	G	J	M	N		
16 to 40	1.18 (30)	9.25 (235)	3.94 (100)	14.64 (372)	4.33 (110)	1.77 (45)	0.59 (15)	2.67 (68)	0.59 (15)	1.18 (30)	2.95 (75)	0.59 (15)	
63 to 80	1.18 (30)	9.25 (235)	3.93 (100)	14.64 (372)	4.33 (110)	2.06 (53)	0.69 (18)	2.99 (76)	0.69 (18)	1.38 (35)	3.35 (85)	0.69 (18)	