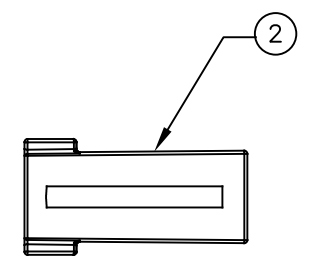
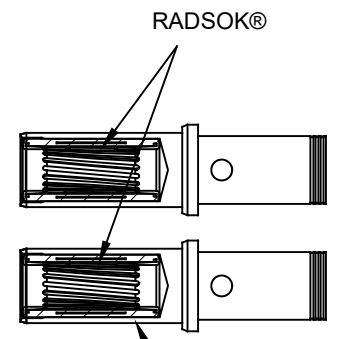
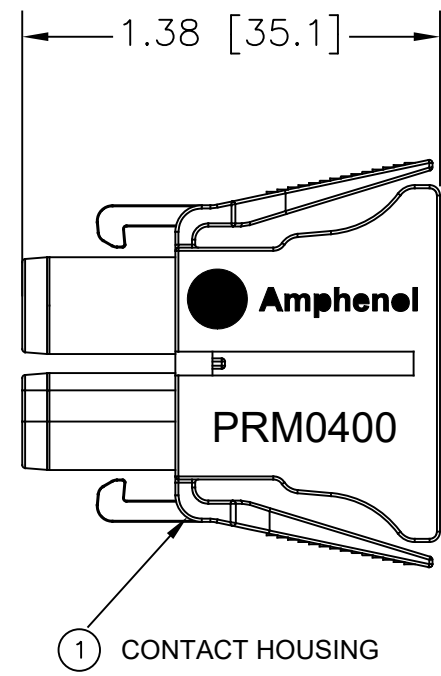
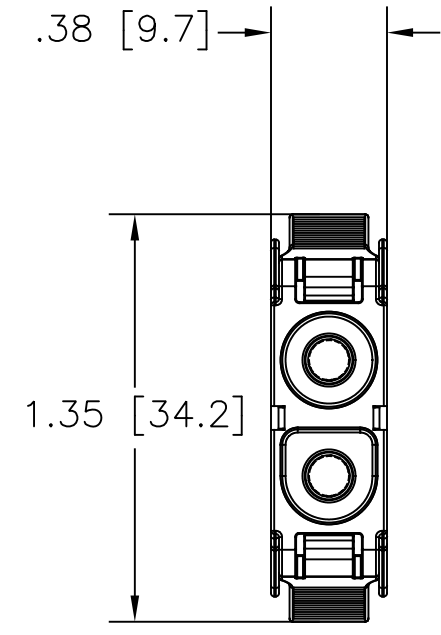
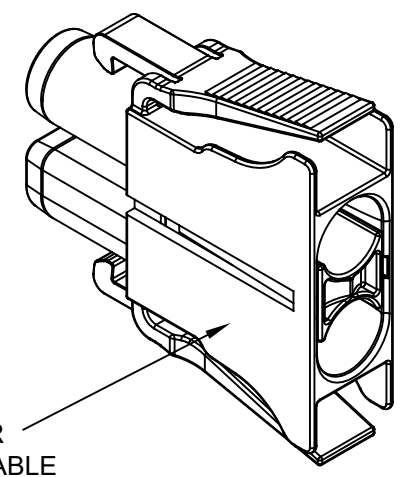


REVISIONS					
REV	ECD	DESCRIPTION	DATE	BY	APPR
A1	-	INITIAL RELEASE	4JAN 20	TZ	-



CONTACT RETAINER CLIP



PART NUMBER	CONTACT P/N	WIRE AWG (mm ²)	US UL	CUL
PRM0400-G1-PLG	SC000532-14-R4	16 AWG (1.5mm ²)	PEND	PEND
		14 AWG (2.5mm ²)	PEND	PEND
PRM0400-G2-PLG	SC000532-10-R4	12 AWG (4mm ²)	30A DC	30A DC
		10 AWG (6mm ²)	43A DC	43A DC
PRM0400-G4-PLG	SC000532-6-R4	8 AWG (10mm ²)	57A DC	57A DC
		6 AWG (16mm ²)	70A DC	60A DC

NOTES:

- CONTACT BARREL RANGE: 6-16AWG
- MAX INSULATION SIZE: .315 (8MM)
- RECOMMENDED CRIMP TOOLS:
HAND CRIMPER: DANIELS M300BT
UNIVERSAL POSITIONER: UH2-5
- EXTRACTION TOOL: 50-80639
- MATERIALS:
HOUSING BODY: GF PA 6/6
CONTACT: COPPER ALLOY / SILVER PLATED WITH RADSOK® TECHNOLOGY
- ELECTRICAL DATA:
a) CURRENT (MAX): SEE CHART
b) VOLTAGE (MAX): 250V DC
- TECHNICAL DATA:
a) TEMPERATURE RANGE: -40°C TO 125°C
b) MATING CYCLES: >500
- RoHS COMPLIANT
- UL 94 V-0 FLAME RATING
- INSTALLATION INSTRUCTIONS:
WWW.AMPHENOL-SINE.COM/PDF/PRM0400-PLG.PDF

BAG SAMPLE

DATE: MM/DD/YY
LOT: XXXXXX
QTY: 1

*SEE UL RATING IN CHART

INSTALLATION TOOL DANIELS M300BT

ASSEMBLY INSTRUCTIONS
www.amphenol-sine.com/pdf/prm0400-plg.pdf

E336860

KIT CONTAINS

- 2 CONTACTS
- CONTACT RETAINER CLIP
- CONTACT HOUSING

COMPONENTS CAN BE PURCHASED SEPARATELY

QUANTITY	PART NUMBER	DESCRIPTION	ITEM
2	SC000532-6-R4	4MM FEMALE, SOCKET, 6-8AWG	5
2	SC000532-10-R4	4MM FEMALE, SOCKET, 10-12AWG	4
2	SC000532-14-R4	4MM FEMALE, SOCKET, 14-16AWG	3
1	PL-000729	CONTACT RETAINER CLIP	2
1	PL-000728	CONTACT HOUSING	1

MATERIALS LIST

UNLESS OTHERWISE SPECIFIED

1) All dimensions are in metric (mm).
2) Tolerances are as follows:
1 PL DEC ±0.30 | Fractions ±1/64
2 PL DEC ±0.15 | Angles ±1°
3 PL DEC ±0.08

3) Note reference =

SIGNATURES: DRAWN: TZ, CHECKED: RC, ENGINEER: TZ, APPROVAL: TZ, DATE: 1JAN20, 2FEB20, 3MAR20

MATERIAL SPECIFICATIONS: SEE NOTES

PROCESS SPECIFICATIONS:

NEXT ASSY:

Amphenol
Sine Systems - www.amphenol-sine.com
44724 Morley Drive
Clinton Township, MI 48036

KIT, 2 POSN, F/M PLUG, SCKT PRM SERIES™
MACH CONT, MATES WITH PRM0400-G2.PNL

SCALE: NONE

SIZE: B, TYPE: C-, DWG NO: PRM0400-G(X)-PLG, REVISION: A1

SHEET 1 OF 1

TITLE: KIT, 2 POSN, F/M PLUG, SCKT PRM SERIES?
DWG NO:
REV: A1
SH: 1
DF: 1

