

788XBXR4L-12D

General purpose relay, Legacy, 788R, DPDT, 10A, 12 VDC, Quick terminal, clear cover with LED, lock push button



Main

Product type	Plug-in electromechanical relay
[In] rated line current	10 A
Switch function	DPDT
Contact composition	2 NC + 2 NO

Complementary

[le] rated operational current	10 A 277 V AC on resistive load)UL 10 A 30 V DC on resistive load)UL 10 A 250 V AC-1 1 NO(on resistive load)IEC 10 A 28 V DC-1 1 NO(on resistive load)IEC 5 A 250 V AC-1 1 NC(on resistive load)IEC 5 A 28 V DC-1 1 NC(on resistive load)IEC
Maximum switching voltage	300 V UL 300 V CSA 250 V IEC
Control type	Lockable test button
Mounting support	Plug-in Side flange
Local signalling	LED cover Flag
Contacts material	Silver alloy, gold flashed
Rated power in HP	0.33 HP 120 V AC 1 HP 277 V AC
Connections - terminals	Blade terminal connector socket
Control circuit voltage limits	0.8...1.1 Un DC
Resistance	120 Ohm
Average coil consumption	1.4 W
Vibration resistance	+/- 1 mm 10...35 Hz in operation 3 gn 35...150 Hz in operation
Operating time	20 ms
Drop-out voltage threshold	>= 0.15 Uc AC >= 0.1 Uc DC
Minimum switching current	10 mA 17 V DC
Net Weight	2.93 oz (83 g)
Height	2.09 in (53 mm)
Width	1.38 in (35 mm)
Depth	1.40 in (35.5 mm)

The information provided in this documentation contains general descriptions and/or technical characteristics of the performance of the products contained herein. This documentation is not intended as a substitute for and is not to be used for determining suitability or reliability of these products for specific user applications. It is the duty of any such user or integrator to perform the appropriate and complete risk analysis, evaluation and testing of the products with respect to the relevant specific application or use thereof. Neither Schneider Electric Industries SAS nor any of its affiliates or subsidiaries shall be responsible or liable for misuse of the information contained herein.

Environment

Shock resistance	10 gn
Ambient temperature range - operational	-40...131 °F (-40...55 °C)
Ambient air temperature for storage	-40...185 °F (-40...85 °C)
Product certifications	UL CSA CE EAC
Dielectric strength	2500 V AC between coil and contact 2000 V AC between poles 1500 V AC between contacts
Electrical durability	100000 cycles
Mechanical durability	5000000 cycles
IP degree of protection	IP40

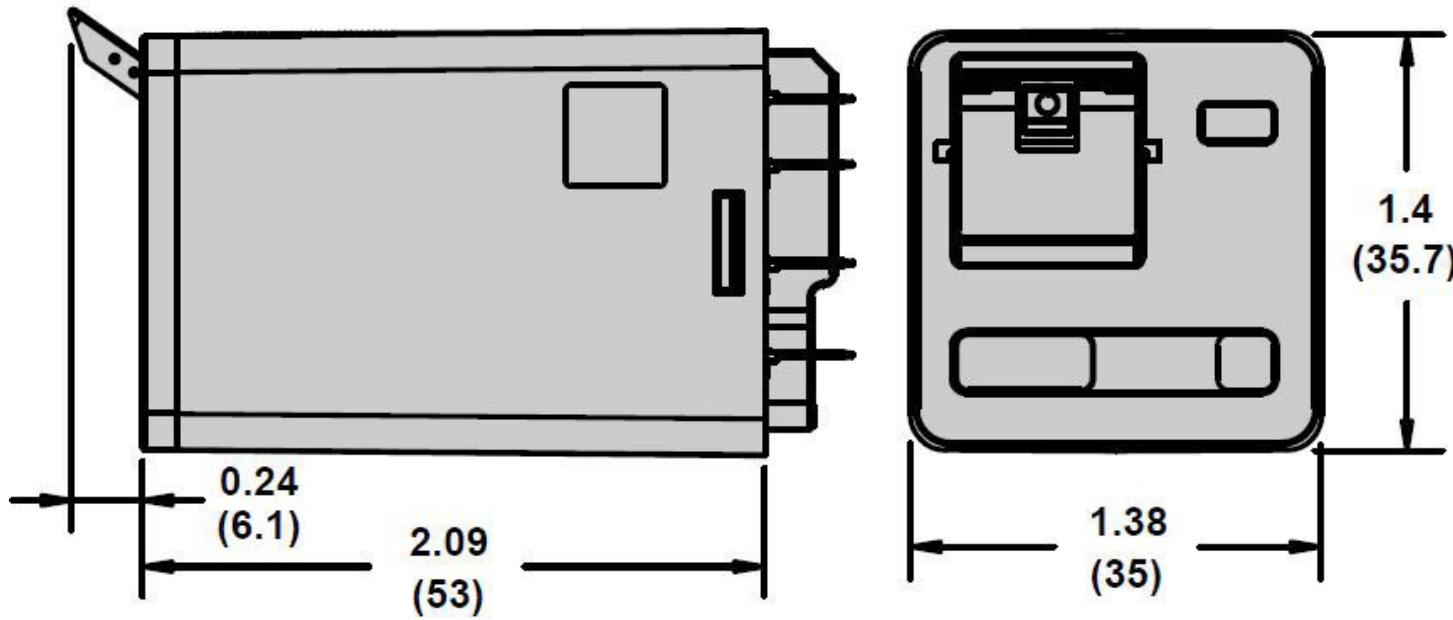
Ordering and shipping details

GTIN	03606480779862
------	----------------

Offer Sustainability

Sustainable offer status	Green Premium product
REACH Regulation	REACH Declaration
REACH free of SVHC	Yes
EU RoHS Directive	Pro-active compliance (Product out of EU RoHS legal scope) EU RoHS Declaration
Toxic heavy metal free	Yes
Mercury free	Yes
RoHS exemption information	Yes
China RoHS Regulation	China RoHS Declaration
Environmental Disclosure	Product Environmental Profile
WEEE	The product must be disposed on European Union markets following specific waste collection and never end up in rubbish bins.

Approximate Dimensions



Connections and Wiring Diagrams

